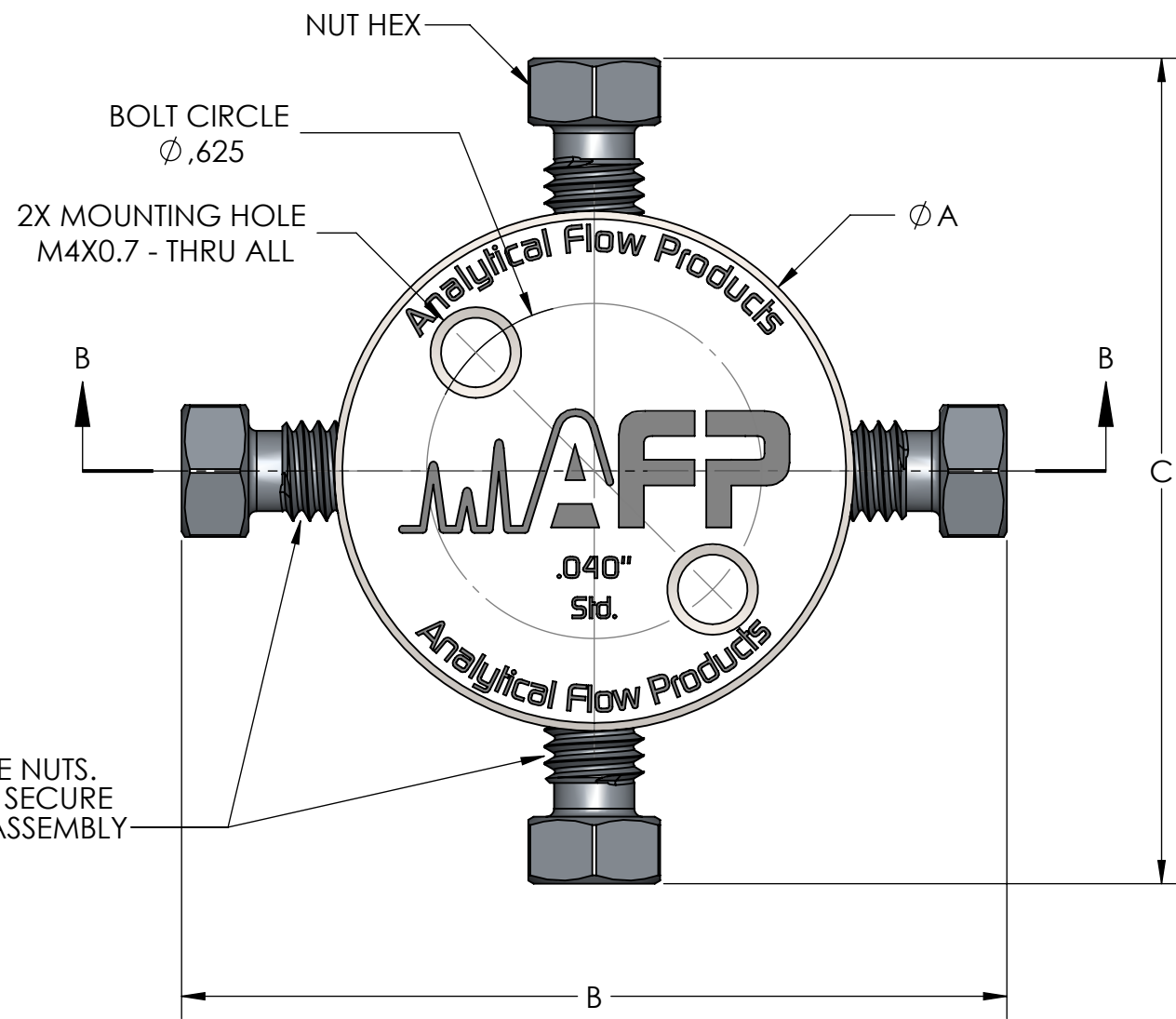
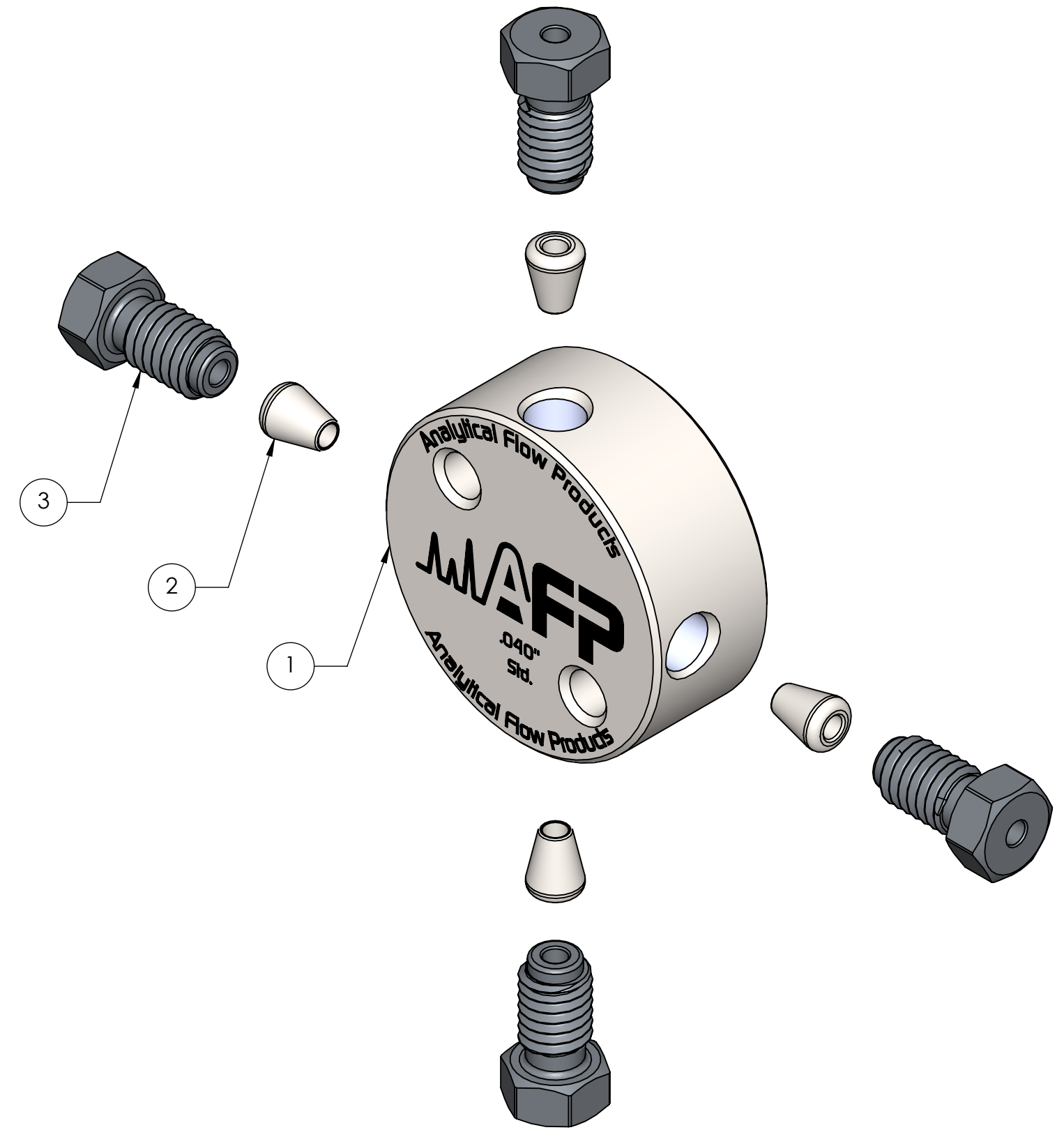
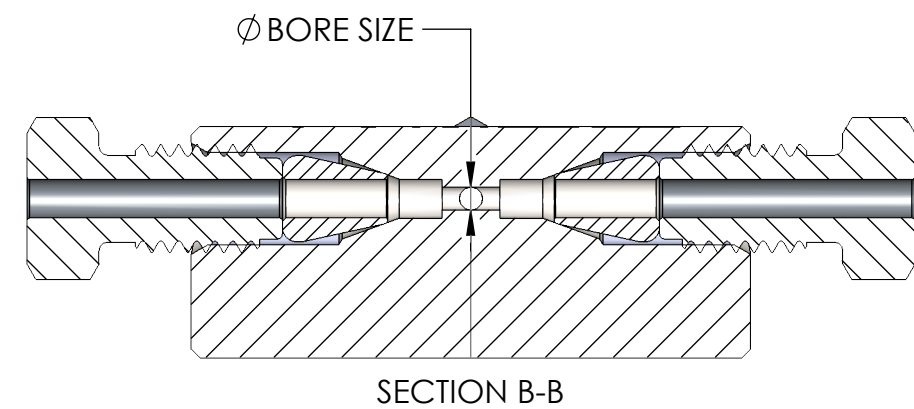


DATE	SYM	REVISION RECORD	ECO	DWN	ENG	MFG
08-13-2014	00	INITIAL RELEASE	1561	JPD	AC	PD
03-29-2016	A	CHANGED TITLE BLOCK FROM NORGREN TO AFP	0056	DB	AC	PD

ASM Number	Description	Item #1 [See Drawing FHH-xxxx-xxx]	Item #2 [See Drawing FFH-xxxx-xxx]	Item #3 [See Drawing FNN-xxxx-xxx]	NUT HEX	Dimn "A"	Dimn "B"	Dimn "C"	Dimn "D"
X-SK-16-040	Internal Cross 1/16 Std. x .040" Bore, Coated Nuts	FXH-S2S2-MB0	FFH-0202-VB0	FNN-S202-VA8	1/4	0.97	1.54	1.54	0.42
X-SS-16-010	Internal Cross 1/16 Std. x .010" Bore	FXH-S2S2-HB0	FFH-0202-VB0	FNN-S202-VA0	1/4	0.97	1.54	1.54	0.42
X-SS-16-020	Internal Cross 1/16 Std. x .020" Bore	FXH-S2S2-KB0	FFH-0202-VB0	FNN-S202-VA0	1/4	0.97	1.54	1.54	0.42
X-SS-16-030	Internal Cross 1/16 Std. x .030" Bore	FXH-S2S2-LB0	FFH-0202-VB0	FNN-S202-VA0	1/4	0.97	1.54	1.54	0.42
X-SS-16-040	Internal Cross 1/16 Std. x .040" Bore	FXH-S2S2-MB0	FFH-0202-VB0	FNN-S202-VA0	1/4	0.97	1.54	1.54	0.42
X-SS-16-010-S	Internal Cross 1/16 Std. x .010" Bore SilcoNert	FXH-S2S2-HB3	FFH-0202-VB1	FNN-S202-VA0	1/4	0.97	1.54	1.54	0.42
X-SS-16-020-S	Internal Cross 1/16 Std. x .020" Bore SilcoNert	FXH-S2S2-KB3	FFH-0202-VB1	FNN-S202-VA0	1/4	0.97	1.54	1.54	0.42
X-SS-16-030-S	Internal Cross 1/16 Std. x .030" Bore SilcoNert	FXH-S2S2-LB3	FFH-0202-VB1	FNN-S202-VA0	1/4	0.97	1.54	1.54	0.42
X-SS-16-040-S	Internal Cross 1/16 Std. x .040" Bore SilcoNert	FXH-S2S2-MB3	FFH-0202-VB1	FNN-S202-VA0	1/4	0.97	1.54	1.54	0.42
X-SS-16-010-D	Internal Cross 1/16 Std. x .010" Bore Dursan	FXH-S2S2-HB4	FFH-0202-VB1	FNN-S202-VA0	1/4	0.97	1.54	1.54	0.42
X-SS-16-020-D	Internal Cross 1/16 Std. x .020" Bore Dursan	FXH-S2S2-KB4	FFH-0202-VB1	FNN-S202-VA0	1/4	0.97	1.54	1.54	0.42
X-SS-16-030-D	Internal Cross 1/16 Std. x .030" Bore Dursan	FXH-S2S2-LB4	FFH-0202-VB1	FNN-S202-VA0	1/4	0.97	1.54	1.54	0.42
X-SS-16-040-D	Internal Cross 1/16 Std. x .040" Bore Dursan	FXH-S2S2-MB4	FFH-0202-VB1	FNN-S202-VA0	1/4	0.97	1.54	1.54	0.42
X-SS-08-085	Internal Cross 1/8 Std. x .085" Bore	FXH-S4S4-OB0	FFH-0404-WB0	FNN-S404-WA0	3/8	1.37	2.09	2.09	0.51
X-SS-08-085-S	Internal Cross 1/8 Std. x .085" Bore SilcoNert	FXH-S4S4-OB3	FFH-0404-WB1	FNN-S404-WA0	3/8	1.37	2.09	2.09	0.51
X-SS-08-085-D	Internal Cross 1/8 Std. x .085" Bore Dursan	FXH-S4S4-OB4	FFH-0404-WB1	FNN-S404-WA0	3/8	1.37	2.09	2.09	0.51



DO NOT TIGHTEN THE NUTS.  
SCREW THE NUTS TO SECURE  
FERRULES INTO THE ASSEMBLY



ITEM NO.	PART NUMBER	DESCRIPTION	QTY.
1	SEE CONFIGURATION TABLE	Internal Cross	1
2	SEE CONFIGURATION TABLE	Internal Ferrule	4
3	SEE CONFIGURATION TABLE	Internal Nut - Short -	4

UNLESS OTHERWISE SPECIFIED:  
- ALL DIMENSIONS ARE IN INCHES  
- SURFACE FINISH IS IN Ra MICROINCHES (µIN)  
- UNSPECIFIED SURFACES MUST BE 64 Ra µIN OR BETTER  
- REMOVE ALL BURRS & SHARP EDGES .003-.010  
- CRITICAL FEATURES INDICATED BY   
- TOLERANCES ARE:  
..XX ±.010 FRACTIONAL ±1/64"  
...XX ±.003 ANGULAR ±5°  
..XXXX ±.001  
- UNSPECIFIED CONCENTRICITY .005 TYP  
- UNSPECIFIED INSIDE CORNER RADIUS 0.010 MAX  
- REFER TO 3D MODEL FOR DIMENSIONS NOT SHOWN.  
TOLERANCE .XX APPLIES  
DO NOT SCALE DRAWING.

MATERIAL:  
REFER TO P/N  
MATERIAL

FINISH:  
MS-1022

ACCORDANCE WITH  
LATEST ASME Y14.5

Analytical Flow Products  
A DIVISION OF MÉCANIQUE ANALYTIQUE INC.

233, Jalbert Ouest,  
Therford Mines  
Québec, Canada  
G6G 7W1

Tel: 418-338-0004  
Fax: 418-338-2500  
Email: info@afproducts.ca  
Web: www.afproducts.ca

DESCRIPTION:  
Internal Cross Assembly

DRAWN	DATE	ENG	DATE	MFG	DATE	APPROVED	DATE
JPD	08-13-2014	AC	08-13-2014	PD	08-13-2014		

UNIT: IN SIZE: C DWG. NO.: X-xx-xx-xxx-X REV.: A

SCALE: 3: SHEET 1 OF 1

PROPRIETARY INFORMATION  
THIS DRAWING IS THE PROPERTY OF MÉCANIQUE ANALYTIQUE INC.  
IT IS RETURNABLE UPON REQUEST AND MUST NOT BE REPRODUCED  
OR THE INFORMATION CONTAINED HEREIN TRANSMITTED TO ANY  
UNAUTHORIZED PERSON OR ORGANIZATION WITHOUT THE  
WRITTEN CONSENT OF MÉCANIQUE ANALYTIQUE INC.