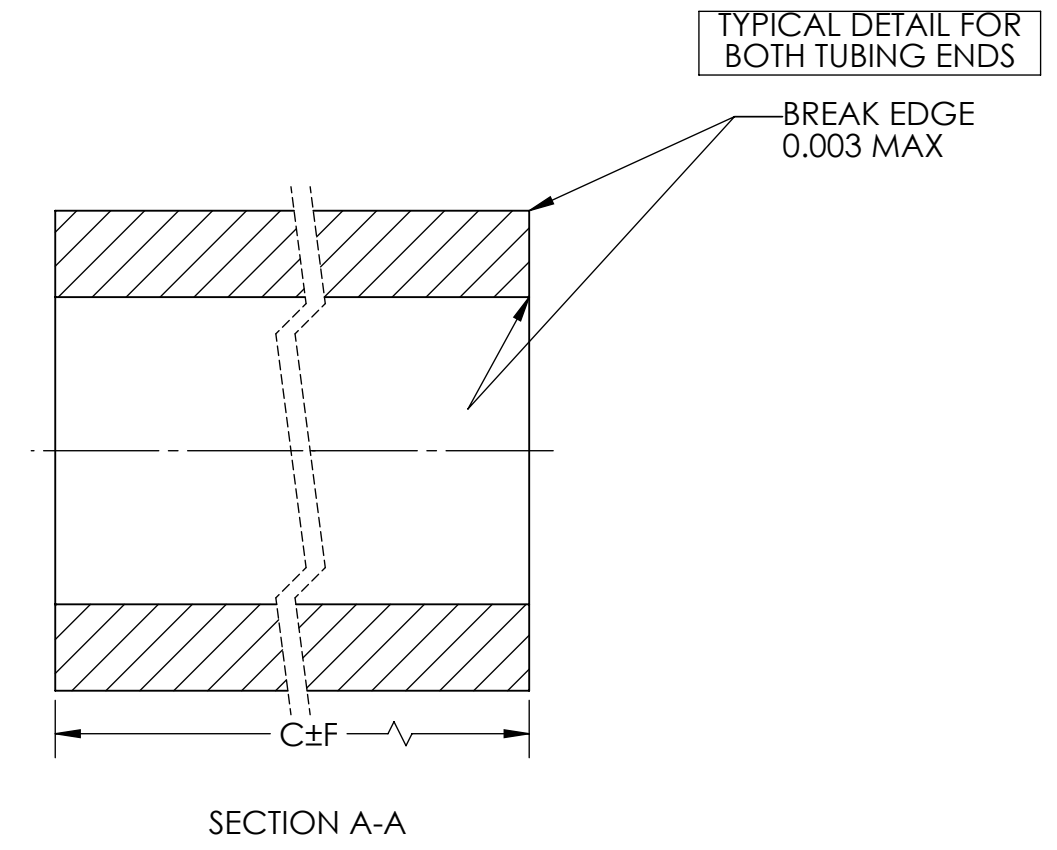
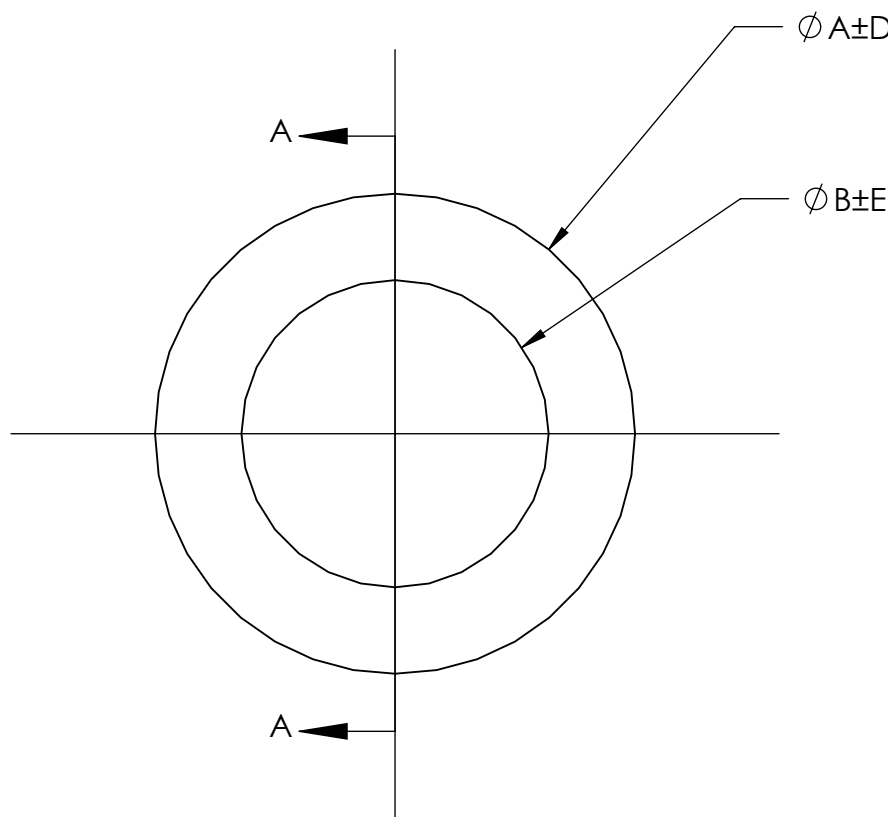
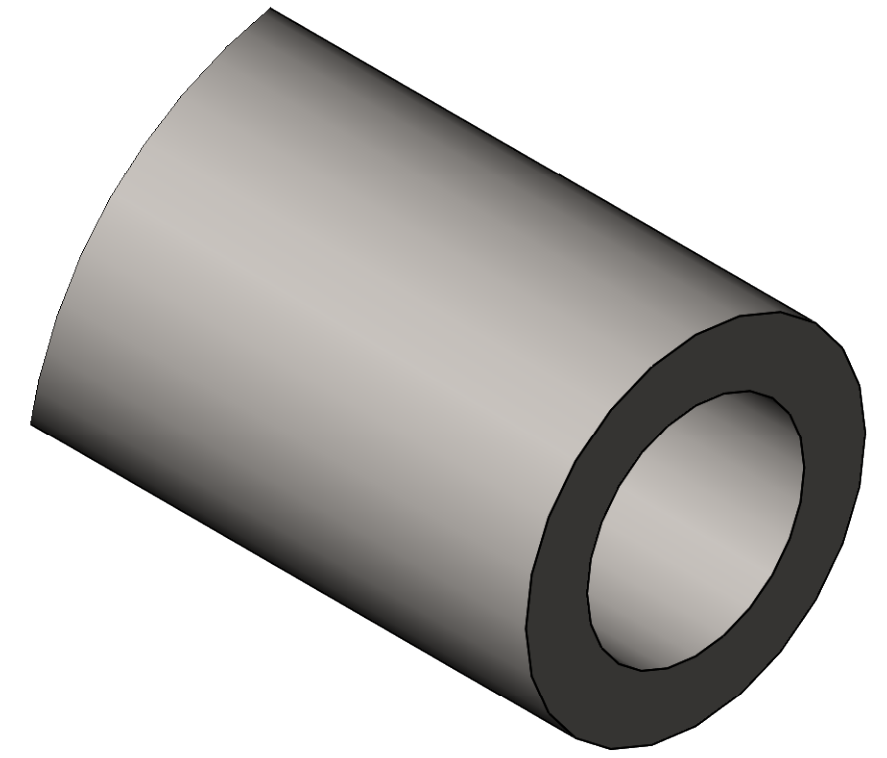


TU-xx-xx-xxx-xxx											
PART NUMBER	MATERIAL	DIMN "A"	TOL "D"	DIMN "B"	TOL "E"	LENGTH "C"			COATING	Cap Color	Internal Surface Finish (Ra) [μ in]
						[in]	"F"	[cm]			
TU-SS-16-004-0116	Stainless Steel 316L	0.0625	±.001	0.004	±.001	11.81	±.032	30.0		Blue	N/A
TU-SS-16-004-0195	Stainless Steel 316L	0.0625	±.001	0.004	±.001	19.68	±.032	50.0		Blue	N/A
TU-SS-16-007-0195	Stainless Steel 316L	0.0625	±.001	0.007	±.001	19.68	±.032	50.0		Blue	N/A
TU-SS-16-020-0007	Stainless Steel 316L	0.0625	±.001	0.020	±.002	0.906	±.032	2.3		Blue	N/A
TU-SS-16-020-0017	Stainless Steel 316L	0.0625	±.001	0.020	±.002	1.97	±.032	5.0		Blue	N/A
TU-SS-16-020-0037	Stainless Steel 316L	0.0625	±.001	0.020	±.002	3.93	±.032	10.0		Blue	N/A
TU-SS-16-020-0077	Stainless Steel 316L	0.0625	±.001	0.020	±.002	7.87	±.032	20.0		Blue	N/A
TU-SS-16-020-0116	Stainless Steel 316L	0.0625	±.001	0.020	±.002	11.81	±.125	30.0		Blue	N/A
TU-SS-16-020-0195	Stainless Steel 316L	0.0625	±.001	0.020	±.002	19.68	±.125	50.0		Blue	N/A
TU-SS-16-020-0393	Stainless Steel 316L	0.0625	±.001	0.020	±.002	39.37	±.125	100.0		Blue	N/A
TU-SS-16-030-0017	Stainless Steel 316L	0.0625	±.001	0.030	±.002	1.97	±.032	5.0		Blue	40
TU-SS-16-030-0037	Stainless Steel 316L	0.0625	±.001	0.030	±.002	3.93	±.032	10.0		Blue	40
TU-SS-16-030-0077	Stainless Steel 316L	0.0625	±.001	0.030	±.002	7.87	±.032	20.0		Blue	40
TU-SS-16-030-0116	Stainless Steel 316L	0.0625	±.001	0.030	±.002	11.81	±.032	30.0		Blue	40
TU-SS-16-030-0156	Stainless Steel 316L	0.0625	±.001	0.030	±.002	15.75	±.032	40.0		Blue	40
TU-SS-16-030-0161	Stainless Steel 316L	0.0625	±.001	0.030	±.002	16.14	±.125	41.0		Blue	40
TU-SS-16-030-0184	Stainless Steel 316L	0.0625	±.001	0.030	±.002	18.5	±.032	47.0		Blue	40
TU-SS-16-030-0195	Stainless Steel 316L	0.0625	±.001	0.030	±.002	19.68	±.032	50.0		Blue	40
TU-SS-16-030-0235	Stainless Steel 316L	0.0625	±.001	0.030	±.002	23.625	±.032	60.0		Blue	40
TU-SS-16-030-0393	Stainless Steel 316L	0.0625	±.001	0.030	±.002	39.37	±.250	100.0		Blue	40
TU-SS-16-030-0472	Stainless Steel 316L	0.0625	±.001	0.030	±.002	47.24	±.500	120.0		Blue	40
TU-SS-16-040-0006	Stainless Steel 316L	0.0625	±.001	0.040	±.002	0.75	±.010	1.9		Blue	40
TU-SS-16-040-0013	Stainless Steel 316L	0.0625	±.001	0.040	±.002	1.375	±.010	3.5		Blue	40
TU-SS-16-040-0017	Stainless Steel 316L	0.0625	±.001	0.040	±.002	1.97	±.010	5.0		Blue	40
TU-SS-16-040-0030	Stainless Steel 316L	0.0625	±.001	0.040	±.002	3	±.032	7.6		Blue	40
TU-SS-16-040-0037	Stainless Steel 316L	0.0625	±.001	0.040	±.002	3.93	±.032	10.0		Blue	40
TU-SS-16-040-0050	Stainless Steel 316L	0.0625	±.001	0.040	±.002	5	±.032	12.7		Blue	40
TU-SS-16-040-0060	Stainless Steel 316L	0.0625	±.001	0.040	±.002	6	±.032	15.2		Blue	40
TU-SS-16-040-0070	Stainless Steel 316L	0.0625	±.001	0.040	±.002	7	±.032	17.8		Blue	40
TU-SS-16-040-0077	Stainless Steel 316L	0.0625	±.001	0.040	±.002	7.87	±.032	20.0		Blue	40
TU-SS-16-040-0080	Stainless Steel 316L	0.0625	±.001	0.040	±.002	8	±.032	20.3		Blue	40
TU-SS-16-040-0090	Stainless Steel 316L	0.0625	±.001	0.040	±.002	9	±.032	22.9		Blue	40
TU-SS-16-040-0094	Stainless Steel 316L	0.0625	±.001	0.040	±.002	9.5	±.032	24.1		Blue	40
TU-SS-16-040-0100	Stainless Steel 316L	0.0625	±.001	0.040	±.002	10	±.125	25.4		Blue	40
TU-SS-16-040-0110	Stainless Steel 316L	0.0625	±.001	0.040	±.002	11	±.125	27.9		Blue	40
TU-SS-16-040-0116	Stainless Steel 316L	0.0625	±.001	0.040	±.002	11.81	±.125	30.0		Blue	40
TU-SS-16-040-0120	Stainless Steel 316L	0.0625	±.001	0.040	±.002	12	±.125	30.5		Blue	40
TU-SS-16-040-0140	Stainless Steel 316L	0.0625	±.001	0.040	±.002	14	±.125	35.6		Blue	40
TU-SS-16-040-0161	Stainless Steel 316L	0.0625	±.001	0.040	±.002	16.14	±.125	41.0		Blue	40
TU-SS-16-040-0174	Stainless Steel 316L	0.0625	±.001	0.040	±.002	17.5	±.125	44.5		Blue	40
TU-SS-16-040-0156	Stainless Steel 316L	0.0625	±.001	0.040	±.002	15.75	±.125	40.0		Blue	40
TU-SS-16-040-0195	Stainless Steel 316L	0.0625	±.001	0.040	±.002	19.68	±.125	50.0		Blue	40
TU-SS-16-040-0202	Stainless Steel 316L	0.0625	±.001	0.040	±.002	20.25	±.250	51.4		Blue	40
TU-SS-16-040-0234	Stainless Steel 316L	0.0625	±.001	0.040	±.002	23.5	±.250	59.7		Blue	40
TU-SS-16-040-0240	Stainless Steel 316L	0.0625	±.001	0.040	±.002	24	±.250	61.0		Blue	40
TU-SS-16-040-0242	Stainless Steel 316L	0.0625	±.001	0.040	±.002	24.25	±.032	61.6		Blue	40
TU-SS-16-040-0255	Stainless Steel 316L	0.0625	±.001	0.040	±.002	25.59	±.250	65.0		Blue	40
TU-SS-16-040-0250	Stainless Steel 316L	0.0625	±.001	0.040	±.002	25	±.250	63.5		Blue	40
TU-SS-16-040-0260	Stainless Steel 316L	0.0625	±.001	0.040	±.002	26	±.250	66.0		Blue	40
TU-SS-16-040-0274	Stainless Steel 316L	0.0625	±.001	0.040	±.002	27.56	±.250	70.0		Blue	40
TU-SS-16-040-0280	Stainless Steel 316L	0.0625	±.001	0.040	±.002	28	±.250	71.1		Blue	40
TU-SS-16-040-0300	Stainless Steel 316L	0.0625	±.001	0.040	±.002	30	±.250	76.2		Blue	40
TU-SS-16-040-0360	Stainless Steel 316L	0.0625	±.001	0.040	±.002	36	±.250	91.4		Blue	40
TU-SS-16-040-0393	Stainless Steel 316L	0.0625	±.001	0.040	±.002	39.37	±.250	100.0		Blue	40
TU-SS-16-040-0500	Stainless Steel 316L	0.0625	±.001	0.040	±.002	50	±.500	127.0		Blue	40
TU-SS-16-040-1200	Stainless Steel 316L	0.0625	±.001	0.040	±.002	120	±3.00	304.8		Blue	40
TU-SS-08-030-0393	Stainless Steel 316L	0.1250	±.003	0.030	±.002	39.37	±.250	100.0		Blue	40
TU-SS-08-055-2400	Stainless Steel 316L	0.1250	±.003	0.055	±.004	240	±6.00	609.6		Blue	40
TU-SS-08-085-0037	Stainless Steel 316L	0.1250	±.003	0.085	±.004	3.93	±.125	10.0		Blue	40
TU-SS-08-085-0120	Stainless Steel 316L	0.1250	±.003	0.085	±.004	12	±.125	30.5		Blue	40
TU-SS-08-085-0195	Stainless Steel 316L	0.1250	±.003	0.085	±.004	19.68	±.125	50.0		Blue	40
TU-SS-08-085-0393	Stainless Steel 316L	0.1250	±.003	0.085	±.004	39.375	±6.00	100.0		Blue	40
TU-SS-08-085-3000	Stainless Steel 316L	0.1250	±.003	0.085	±.004	300	±6.00	762.0		Blue	40
TU-SS-04-180-2400	Stainless Steel 316L	0.2500	±.003	0.180	±.004	240	±6.00	609.6		Blue	40
TU-SS-38-305-0150	Stainless Steel 316L	0.3750	±.005	0.305	±.006	15	±.125	38.1		Blue	40
TU-SS-38-305-2400	Stainless Steel 316L	0.3750	±.005	0.305	±.006	240	±.125	609.6		Blue	40
TU-SS-02-402-2400	Stainless Steel 316L	0.5000	±.003	0.402	±.004	240	±6.00	609.6		Blue	40
TU-SS-02-430-0020	Stainless Steel 316L	0.5000	±.005	0.430	±.006	2.047	±.010	5.2		Blue	40
TU-SS-02-430-0034	Stainless Steel 316L	0.5000	±.005	0.430	±.006	3.532	±.010	9.0		Blue	40
TU-S2-16-040-0060	Stainless Steel 316L	0.0625	±.001	0.040	±.002	6	±.032	15.2	SilcoNert 2000	Yellow	40
TU-S2-16-040-0077	Stainless Steel 316L	0.0625	±.001	0.040	±.002	7.87	±.032	20.0	SilcoNert 2000	Yellow	40
TU-S2-16-040-0094	Stainless Steel 316L	0.0625	±.001	0.040	±.002	9.5	±.032	24.1	SilcoNert 2000	Yellow	40
TU-S2-16-040-0161	Stainless Steel 316L	0.0625	±.001	0.040	±.002	16.14	±.125	41.0	SilcoNert 2000	Yellow	40
TU-S2-16-040-0242	Stainless Steel 316L	0.0625	±.001	0.040	±.002	24.25	±.032	61.6	SilcoNert 2000	Yellow	40
TU-S2-16-040-0255	Stainless Steel 316L	0.0625	±.001	0.040	±.002	25.59	±.250	65.0	SilcoNert 2000	Yellow	40
TU-HC-16-040-0060	Hastelloy C-22	0.0625	±.001	0.040	±.002	6	±.032	15.2		Red	40
TU-HC-08-030-0393	Hastelloy C-22	0.1250	±.003	0.030	±.004	39.375	±.250	100.0		Red	40
TU-HC-08-085-0360	Hastelloy C-22	0.1250	±.003	0.085	±.004	36	±.250	91.4		Red	40
TU-MO-08-030-0393	MONEL 400	0.1250	±.003	0.030	±.004	39.375	±.250	100.0		Orange	40

DATE	SYM	REVISION RECORD	ECO	DWN	ENG	MFG
2019-07-26	A	INITIAL RELEASE	XXXX	JS	EB	SL



TUBING TO BE WASHED AND CLEANED REMOVING BOTH ORGANIC AND IONIC CONTAMINANTS. See MS-1037

UNLESS OTHERWISE SPECIFIED: - ALL DIMENSIONS ARE IN INCHES - SURFACE FINISH IS IN Ra MICRONS (μ IN) - UNSPECIFIED SURFACES MUST BE 64 Ra μ IN OR BETTER - REMOVE ALL BURRS & SHARP EDGES .003-010 - TOLERANCES ARE: .XX ±.010 FRACTIONAL ±1/64" .XXX ±.003 ANGULAR ±5° .XXXX ±.001 - UNSPECIFIED INSIDE CORNER RADIUS 0.010 MAX. - REFER TO 3D MODEL FOR DIMENSIONS NOT SHOWN. - TOLERANCE .XX APPLIES - DO NOT SCALE DRAWING		MATERIAL: AS PER TABLE	<p>2659, boul. du Parc Technologique, Quebec, Quebec, CANADA G1P 4S5</p> <p>Tel: 418-338-0004 Fax: 418-338-2500 Email: info@afproducts.ca Web: www.afproducts.ca</p>
PROPRIETARY INFORMATION THIS DRAWING IS THE PROPERTY OF APN-AFP INC. IT IS RETURNABLE UPON REQUEST AND MUST NOT BE REPRODUCED OR THE INFORMATION CONTAINED HEREIN TRANSMITTED TO ANY UNAUTHORIZED PERSON OR ORGANIZATION WITHOUT THE WRITTEN CONSENT OF APN-AFP INC.		FINISH: MS-1037	
UNIT	SIZE	DWG. NO.	REV.
IN	C	TU-xx-xxxx-xxx-xxx	A
SCALE	40:1	SHEET 1 OF 1	