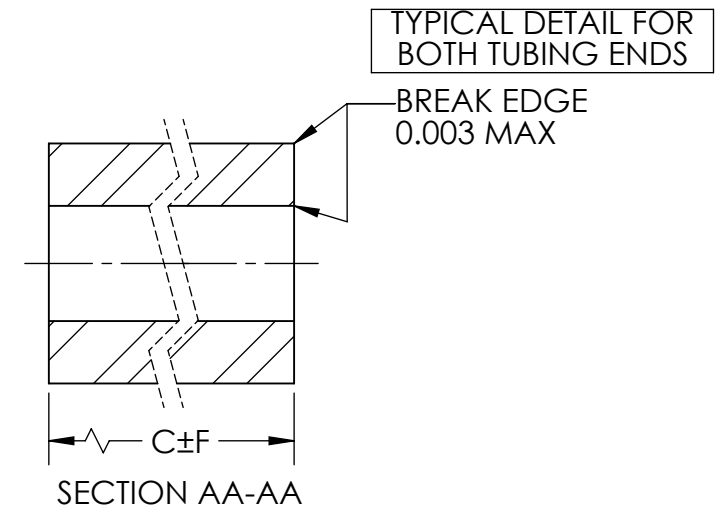
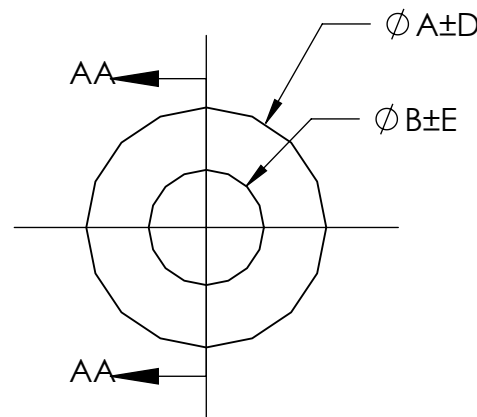
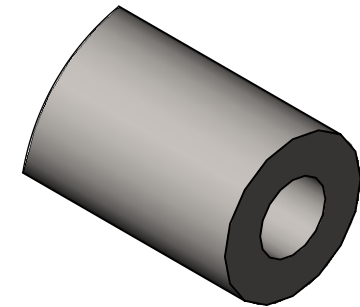



PART NUMBER	MATERIAL	DIMN "A"	TOL "D"	DIMN "B"	TOL "E"	LENGTH "C"				COATING	Cap Color	Internal Surface Finish (Ra) [µin]
						[ft]	"F" [ft]	[m]	"F" [m]			
TC-HC-08-085-164	Hastelloy C-22	0.125	+ .002/-0	0.085	±.001	164	+16.0/-0	50.0	+5.0/-0		Red	40
TC-HC-16-030-164	Hastelloy C-22	0.0625	+ .002/-0	0.030	±.001	164	+16.0/-0	50.0	+5.0/-0		Red	40
TC-HC-16-040-164	Hastelloy C-22	0.0625	+ .002/-0	0.040	±.001	164	+16.0/-0	50.0	+5.0/-0		Red	40
TC-SD-16-030-100	Stainless Steel 316L	0.0625	+ .002/-0	0.030	±.001	100	+16.0/-0	30.5	+5.0/-0	Dursan	Green	40
TC-SD-16-030-328	Stainless Steel 316L	0.0625	+ .002/-0	0.030	±.001	328	+16.0/-0	100.0	+5.0/-0	Dursan	Green	40
TC-SD-16-040-100	Stainless Steel 316L	0.0625	+ .002/-0	0.040	±.001	100	+16.0/-0	30.5	+5.0/-0	Dursan	Green	40
TC-SD-16-040-328	Stainless Steel 316L	0.0625	+ .002/-0	0.040	±.001	328	+16.0/-0	100.0	+5.0/-0	Dursan	Green	40
TC-SS-32-010-984	Stainless Steel 316L	0.0313	+ .002/-0	0.010	±.001	984	+16.0/-0	300.0	+5.0/-0		Blue	N/A
TC-SS-17-025-100	Stainless Steel 316L	0.058	+ .002/-0	0.025	±.001	100	+16.0/-0	30.5	+5.0/-0		Blue	N/A
TC-SS-17-025-300	Stainless Steel 316L	0.058	+ .002/-0	0.025	±.001	300	+16.0/-0	91.4	+5.0/-0		Blue	N/A
TC-SS-17-025-500	Stainless Steel 316L	0.058	+ .002/-0	0.025	±.001	500	+16.0/-0	152.4	+5.0/-0		Blue	N/A
TC-SS-16-004-098	Stainless Steel 316L	0.0625	+ .002/-0	0.004	±.001	98.4	+16.0/-0	30.0	+5.0/-0		Blue	N/A
TC-SS-16-005-049	Stainless Steel 316L	0.0625	+ .002/-0	0.005	±.001	49.2	+16.0/-0	15.0	+5.0/-0		Blue	N/A
TC-SS-16-005-656	Stainless Steel 316L	0.0625	+ .002/-0	0.005	±.001	656	+16.0/-0	200.0	+5.0/-0		Blue	N/A
TC-SS-16-005-984	Stainless Steel 316L	0.0625	+ .002/-0	0.005	±.001	984	+16.0/-0	300.0	+5.0/-0		Blue	N/A
TC-SS-16-007-049	Stainless Steel 316L	0.0625	+ .002/-0	0.007	±.001	49.2	+16.0/-0	15.0	+5.0/-0		Blue	N/A
TC-SS-16-010-049	Stainless Steel 316L	0.0625	+ .002/-0	0.010	±.001	49.2	+16.0/-0	15.0	+5.0/-0		Blue	N/A
TC-SS-16-010-656	Stainless Steel 316L	0.0625	+ .002/-0	0.010	±.001	656	+16.0/-0	200.0	+5.0/-0		Blue	70
TC-SS-16-013-049	Stainless Steel 316L	0.0625	+ .002/-0	0.013	±.001	49.2	+16.0/-0	15.0	+5.0/-0		Blue	N/A
TC-SS-16-015-656	Stainless Steel 316L	0.0625	+ .002/-0	0.015	±.001	656	+16.0/-0	200.0	+5.0/-0		Blue	70
TC-SS-16-015-984	Stainless Steel 316L	0.0625	+ .002/-0	0.015	±.001	984	+16.0/-0	300.0	+5.0/-0		Blue	70
TC-SS-16-020-033	Stainless Steel 316L	0.0625	+ .002/-0	0.020	±.001	33	+16.0/-0	10.0	+5.0/-0		Blue	40
TC-SS-16-020-492	Stainless Steel 316L	0.0625	+ .002/-0	0.020	±.001	492	+16.0/-0	150.0	+5.0/-0		Blue	70
TC-SS-16-030-100	Stainless Steel 316L	0.0625	+ .002/-0	0.030	±.001	100	+16.0/-0	30.5	+5.0/-0		Blue	40
TC-SS-16-030-328	Stainless Steel 316L	0.0625	+ .002/-0	0.030	±.001	328	+16.0/-0	100.0	+5.0/-0		Blue	40
TC-SS-16-030-656	Stainless Steel 316L	0.0625	+ .002/-0	0.030	±.001	656	+16.0/-0	200.0	+5.0/-0		Blue	70
TC-SS-16-040-066	Stainless Steel 316L	0.0625	+ .002/-0	0.040	±.001	65.6	+16.0/-0	20.0	+5.0/-0		Blue	40
TC-SS-16-040-100	Stainless Steel 316L	0.0625	+ .002/-0	0.040	±.001	100	+16.0/-0	30.5	+5.0/-0		Blue	40
TC-SS-16-040-328	Stainless Steel 316L	0.0625	+ .002/-0	0.040	±.001	328	+16.0/-0	100.0	+5.0/-0		Blue	40
TC-SS-16-040-250	Stainless Steel 316L	0.0625	+ .002/-0	0.040	±.001	250	+16.0/-0	76.2	+5.0/-0		Blue	40
TC-SS-16-040-500	Stainless Steel 316L	0.0625	+ .002/-0	0.040	±.001	500	+16.0/-0	152.4	+5.0/-0		Blue	40
TC-SS-16-040-820	Stainless Steel 316L	0.0625	+ .002/-0	0.040	±.001	820	+16.0/-0	250.0	+5.0/-0		Blue	70
TC-SS-08-085-500	Stainless Steel 316L	0.125	+ .002/-0	0.085	±.001	500	+16.0/-0	152.4	+5.0/-0		Blue	40
TC-SS-08-085-656	Stainless Steel 316L	0.125	+ .002/-0	0.085	±.001	656	+16.0/-0	200.0	+5.0/-0		Blue	70
TC-S2-45-011-328	Stainless Steel 316L	0.0222	+ .002/-0	0.011	±.001	328	+16.0/-0	100.0	+5.0/-0	SilcoNert 2000	Yellow	N/A
TC-S2-34-021-328	Stainless Steel 316L	0.0294	+ .002/-0	0.021	±.001	328	+16.0/-0	100.0	+5.0/-0	SilcoNert 2000	Yellow	N/A
TC-S2-16-010-328	Stainless Steel 316L	0.0625	+ .002/-0	0.010	±.001	328	+16.0/-0	100.0	+5.0/-0	SilcoNert 2000	Yellow	N/A
TC-S2-16-010-984	Stainless Steel 316L	0.0625	+ .002/-0	0.010	±.001	984	+16.0/-0	300.0	+5.0/-0	SilcoNert 2000	Yellow	70
TC-S2-16-020-328	Stainless Steel 316L	0.0625	+ .002/-0	0.020	±.001	328	+16.0/-0	100.0	+5.0/-0	SilcoNert 2000	Yellow	N/A
TC-S2-16-020-984	Stainless Steel 316L	0.0625	+ .002/-0	0.020	±.001	984	+16.0/-0	300.0	+5.0/-0	SilcoNert 2000	Yellow	70
TC-S2-16-030-100	Stainless Steel 316L	0.0625	+ .002/-0	0.030	±.001	100	+16.0/-0	30.5	+5.0/-0	SilcoNert 2000	Yellow	40
TC-S2-16-030-328	Stainless Steel 316L	0.0625	+ .002/-0	0.030	±.001	328	+16.0/-0	100.0	+5.0/-0	SilcoNert 2000	Yellow	40
TC-S2-16-030-656	Stainless Steel 316L	0.0625	+ .002/-0	0.030	±.001	656	+16.0/-0	200.0	+5.0/-0	SilcoNert 2000	Yellow	40
TC-S2-16-030-984	Stainless Steel 316L	0.0625	+ .002/-0	0.030	±.001	984	+16.0/-0	300.0	+5.0/-0	SilcoNert 2000	Yellow	70
TC-S2-16-040-100	Stainless Steel 316L	0.0625	+ .002/-0	0.040	±.001	100	+16.0/-0	30.5	+5.0/-0	SilcoNert 2000	Yellow	40
TC-S2-16-040-250	Stainless Steel 316L	0.0625	+ .002/-0	0.040	±.001	250	+16.0/-0	76.2	+5.0/-0	SilcoNert 2000	Yellow	40
TC-S2-16-040-328	Stainless Steel 316L	0.0625	+ .002/-0	0.040	±.001	328	+16.0/-0	100.0	+5.0/-0	SilcoNert 2000	Yellow	40
TC-S2-16-040-984	Stainless Steel 316L	0.0625	+ .002/-0	0.040	±.001	984	+16.0/-0	300.0	+5.0/-0	SilcoNert 2000	Yellow	70
TC-S2-08-085-328	Stainless Steel 316L	0.125	+ .002/-0	0.085	±.001	328	+16.0/-0	100.0	+5.0/-0	SilcoNert 2000	Yellow	40
TC-S2-08-085-656	Stainless Steel 316L	0.125	+ .002/-0	0.085	±.001	656	+16.0/-0	200.0	+5.0/-0	SilcoNert 2000	Yellow	70

DATE	SYM	REVISION RECORD	ECO	DWN	ENG	MFG
2019-10-21	00	INITIAL RELEASE	0090	JS	EB	SL



TUBING TO BE WASHED AND CLEANED REMOVING BOTH ORGANIC AND IONIC CONTAMINANTS. See MS-1037

UNLESS OTHERWISE SPECIFIED: - ALL DIMENSIONS ARE IN INCHES - SURFACE FINISH IS IN Ra MICROINCHES (µIN) - UNSPECIFIED SURFACES MUST BE 64 Ra µIN OR BETTER - REMOVE ALL BURRS & SHARP EDGES .003-.010 - TOLERANCES ARE: .XX ±.010 FRACTIONAL ±1/64" .XXX ±.003 ANGULAR ±.5° .XXXX ±.001 - UNSPECIFIED INSIDE CORNER RADIUS 0.010 MAX. - REFER TO 3D MODEL FOR DIMENSIONS NOT SHOWN. - TOLERANCE .XX APPLIES - DO NOT SCALE DRAWING	MATERIAL: As per Table	 2659, boul. du Parc Technologique Québec, CANADA G1P 4S5 Tel: 418-338-0004 Fax: 418-338-2500 Email: info@afproducts.ca Web: www.afproducts.ca	
	FINISH: MS-1037		DESCRIPTION: COILED TUBE
PROPRIETARY INFORMATION THIS DRAWING IS THE PROPERTY OF APN-AFP INC. IT IS RETURNABLE UPON REQUEST AND MUST NOT BE REPRODUCED OR THE INFORMATION CONTAINED HEREIN TRANSMITTED TO ANY UNAUTHORIZED PERSON OR ORGANIZATION WITHOUT THE WRITTEN CONSENT OF APN-AFP INC.	ACCORDANCE WITH LATEST ASME Y14.5	UNIT: IN SIZE: B DWG. NO.: TC-xx-xxxx-xxx-xxx SCALE: 20:1	REV.: 00 SHEET: 1 OF 1