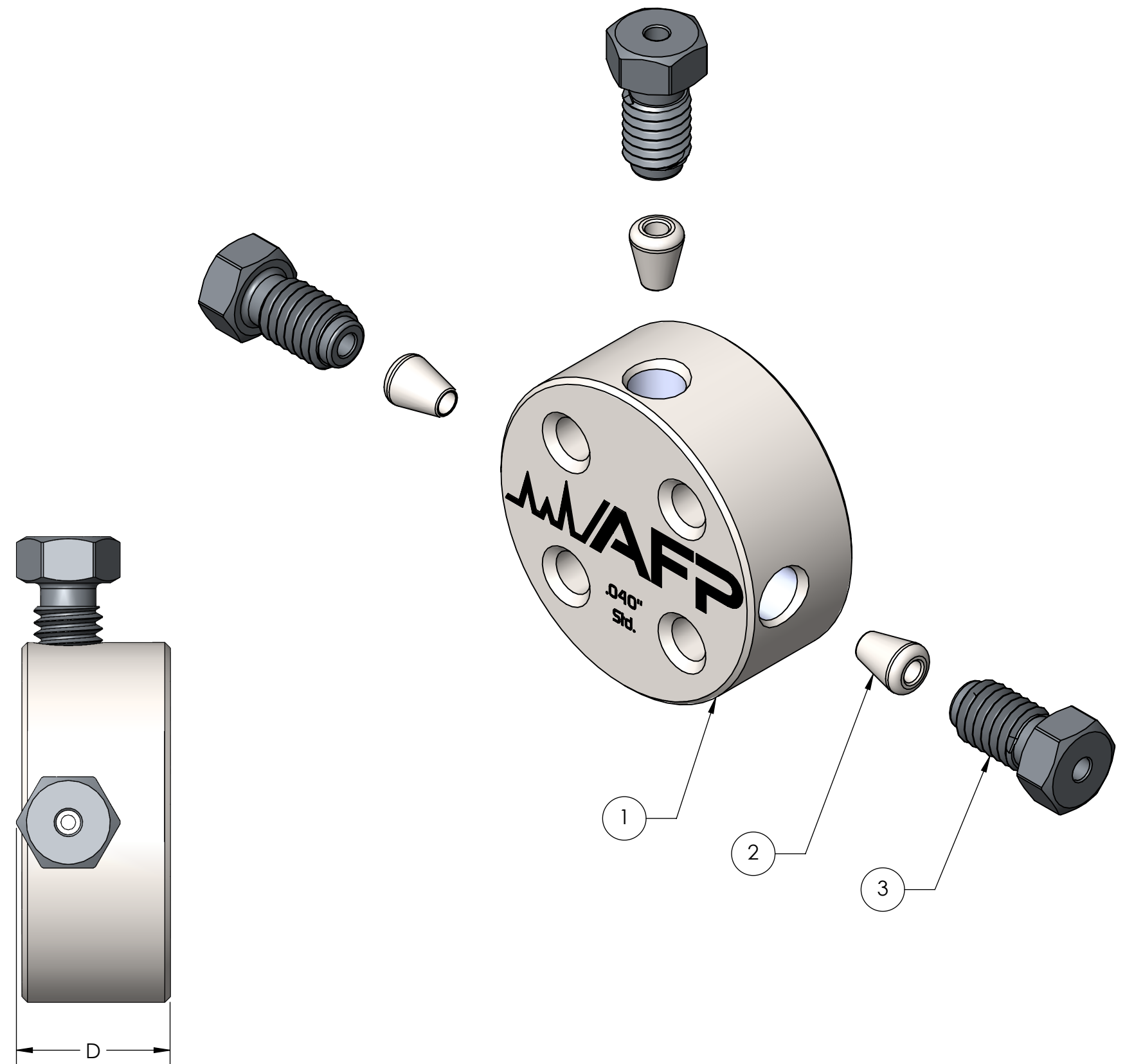
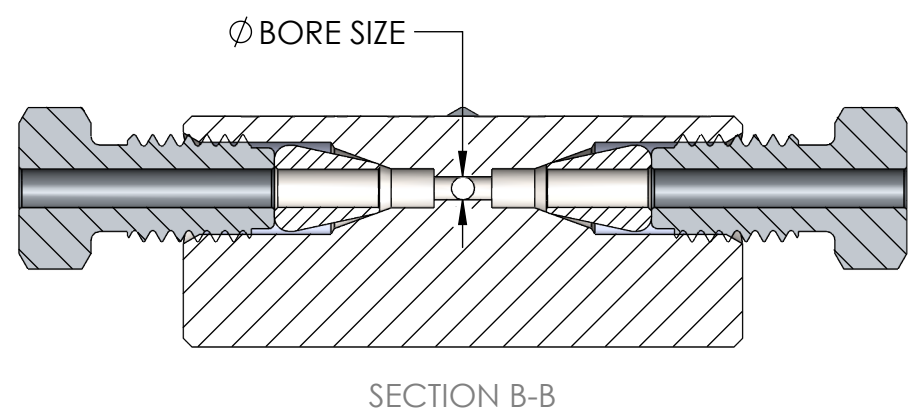
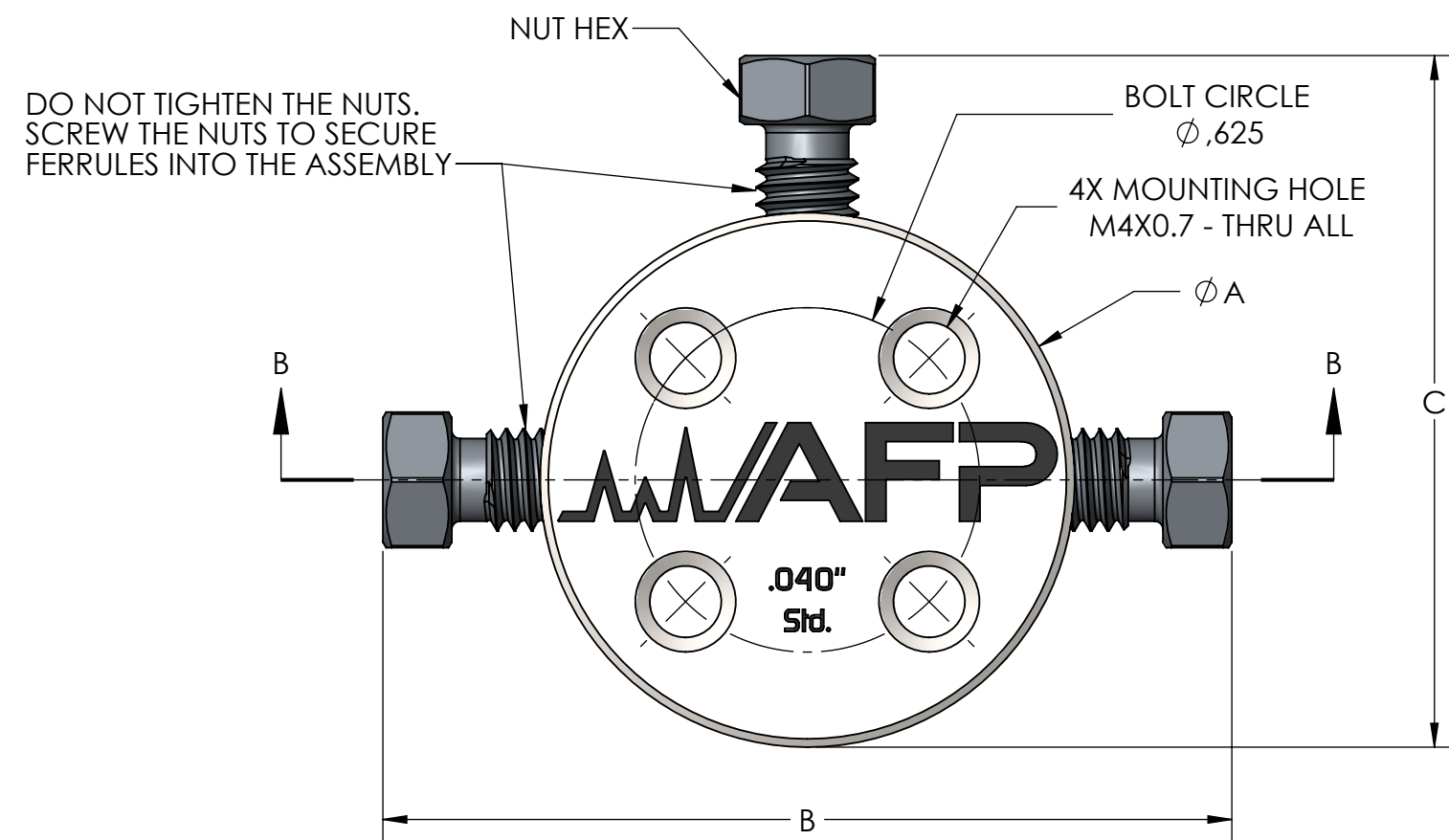


CONFIGURATION TABLE									
ASM Number	Description	Item #1 [See Drawing FTH-xxxx-xxx]	Item #2 [See Drawing FFH-xxxx-xxx]	Item #3 [See Drawing FNN-xxxx-xxx]	NUT HEX	DIMN "A"	DIMN "B"	DIMN "C"	DIMN "D"
T-SK-16-040	Internal Tee 1/16 Std. x .040" Bore, Coated Nuts	FTH-S2S2-MB0	FFH-0202-VB0	FNN-S202-VA8	1/4	0.97	1.54	1.26	0.41
T-SK-16-010-S	Internal Tee 1/16 Std. x .010" Bore SilcoNert, Coated Nuts	FTH-S2S2-HB3	FFH-0202-VB1	FNN-S202-VA8	1/4	0.97	1.54	1.26	0.41
T-SS-16-010	Internal Tee 1/16 Std. x .010" Bore	FTH-S2S2-HB0	FFH-0202-VB0	FNN-S202-VA0	1/4	0.97	1.54	1.26	0.41
T-SS-16-020	Internal Tee 1/16 Std. x .020" Bore	FTH-S2S2-KB0	FFH-0202-VB0	FNN-S202-VA0	1/4	0.97	1.54	1.26	0.41
T-SS-16-030	Internal Tee 1/16 Std. x .030" Bore	FTH-S2S2-LB0	FFH-0202-VB0	FNN-S202-VA0	1/4	0.97	1.54	1.26	0.41
T-SS-16-040	Internal Tee 1/16 Std. x .040" Bore	FTH-S2S2-MB0	FFH-0202-VB0	FNN-S202-VA0	1/4	0.97	1.54	1.26	0.41
T-SS-16-010-S	Internal Tee 1/16 Std. x .010" Bore SilcoNert	FTH-S2S2-HB3	FFH-0202-VB1	FNN-S202-VA0	1/4	0.97	1.54	1.26	0.41
T-SS-16-020-S	Internal Tee 1/16 Std. x .020" Bore SilcoNert	FTH-S2S2-KB3	FFH-0202-VB1	FNN-S202-VA0	1/4	0.97	1.54	1.26	0.41
T-SS-16-030-S	Internal Tee 1/16 Std. x .030" Bore SilcoNert	FTH-S2S2-LB3	FFH-0202-VB1	FNN-S202-VA0	1/4	0.97	1.54	1.26	0.41
T-SS-16-040-S	Internal Tee 1/16 Std. x .040" Bore SilcoNert	FTH-S2S2-MB3	FFH-0202-VB1	FNN-S202-VA0	1/4	0.97	1.54	1.26	0.41
T-SS-16-010-D	Internal Tee 1/16 Std. x .010" Bore Dursan	FTH-S2S2-HB4	FFH-0202-VB1	FNN-S202-VA0	1/4	0.97	1.54	1.26	0.41
T-SS-16-020-D	Internal Tee 1/16 Std. x .020" Bore Dursan	FTH-S2S2-KB4	FFH-0202-VB1	FNN-S202-VA0	1/4	0.97	1.54	1.26	0.41
T-SS-16-030-D	Internal Tee 1/16 Std. x .030" Bore Dursan	FTH-S2S2-LB4	FFH-0202-VB1	FNN-S202-VA0	1/4	0.97	1.54	1.26	0.41
T-SS-16-040-D	Internal Tee 1/16 Std. x .040" Bore Dursan	FTH-S2S2-MB4	FFH-0202-VB1	FNN-S202-VA0	1/4	0.97	1.54	1.26	0.41
T-SS-08-030	Internal Tee 1/8 Std. x .030" Bore	FTH-S4S4-LB0	FFH-0404-WB0	FNN-S404-WA0	3/8	1.37	2.09	1.73	0.51
T-SS-08-085	Internal Tee 1/8 Std. x .085" Bore	FTH-S4S4-OB0	FFH-0404-WB0	FNN-S404-WA0	3/8	1.37	2.09	1.73	0.51
T-SS-08-085-S	Internal Tee 1/8 Std. x .085" Bore SilcoNert	FTH-S4S4-OB3	FFH-0404-WB1	FNN-S404-WA0	3/8	1.37	2.09	1.73	0.51
T-SS-08-085-D	Internal Tee 1/8 Std. x .085" Bore Dursan	FTH-S4S4-OB4	FFH-0404-WB1	FNN-S404-WA0	3/8	1.37	2.09	1.73	0.51

DATE	SYM	REVISION RECORD	ECO	DWN	ENG	MFG
08-13-2014	00	INITIAL RELEASE	1561	JPD	AC	PD
03-29-2016	A	CHANGED TITLE BLOCK FROM NORGEN TO AFP	0056	DB	AC	PD



ITEM NO.	PART NUMBER	DESCRIPTION	QTY.
1	SEE CONFIGURATION TABLE	Internal Tee	1
2	SEE CONFIGURATION TABLE	Internal Ferrule	3
3	SEE CONFIGURATION TABLE	Internal Nut - Short -	3

UNLESS OTHERWISE SPECIFIED:  
 - ALL DIMENSIONS ARE IN INCHES  
 - SURFACE FINISH IS IN Ra MICROINCHES (µIN)  
 - UNSPECIFIED SURFACES MUST BE 64 Ra µIN OR BETTER  
 - REMOVE ALL BURRS & SHARP EDGES .003-.010  
 - CRITICAL FEATURES INDICATED BY   
 - TOLERANCES ARE:  
 .XX ±.010 FRACTIONAL ±1/64"  
 .XXX ±.003 ANGULAR ±5"  
 .XXXX ±.001  
 - UNSPECIFIED CONCENTRICITY .005 TYP  
 - UNSPECIFIED INSIDE CORNER RADIUS 0.010 MAX  
 - REFER TO 3D MODEL FOR DIMENSIONS NOT SHOWN.  
 TOLERANCE .XX APPLIES  
 - DO NOT SCALE DRAWING

MATERIAL:  
 REFER TO P/N MATERIAL

FINISH:  
 MS-1022

ACCORDANCE WITH LATEST ASME Y14.5

**AFP**  
 Analytical Flow Products  
 A DIVISION OF MÉCANIQUE ANALYTIQUE INC.

233, Jalbert Ouest,  
 Thérford Mines  
 Québec, Canada  
 G6G 7W1  
 Tel: 418-338-0004  
 Fax: 418-338-2500  
 Email: info@afproducts.ca  
 Web: www.afproducts.ca

DESCRIPTION:  
 Internal Tee Assembly

DRAWN	DATE	ENG	DATE	MFG	DATE	APPROVED	DATE
JPD	08-13-2014	AC	08-13-2014	PD	08-13-2014		

UNIT: IN SIZE: C DWG. NO.: T-xx-xx-xxx-x REV. A

SCALE: 3: SHEET 1 OF 1