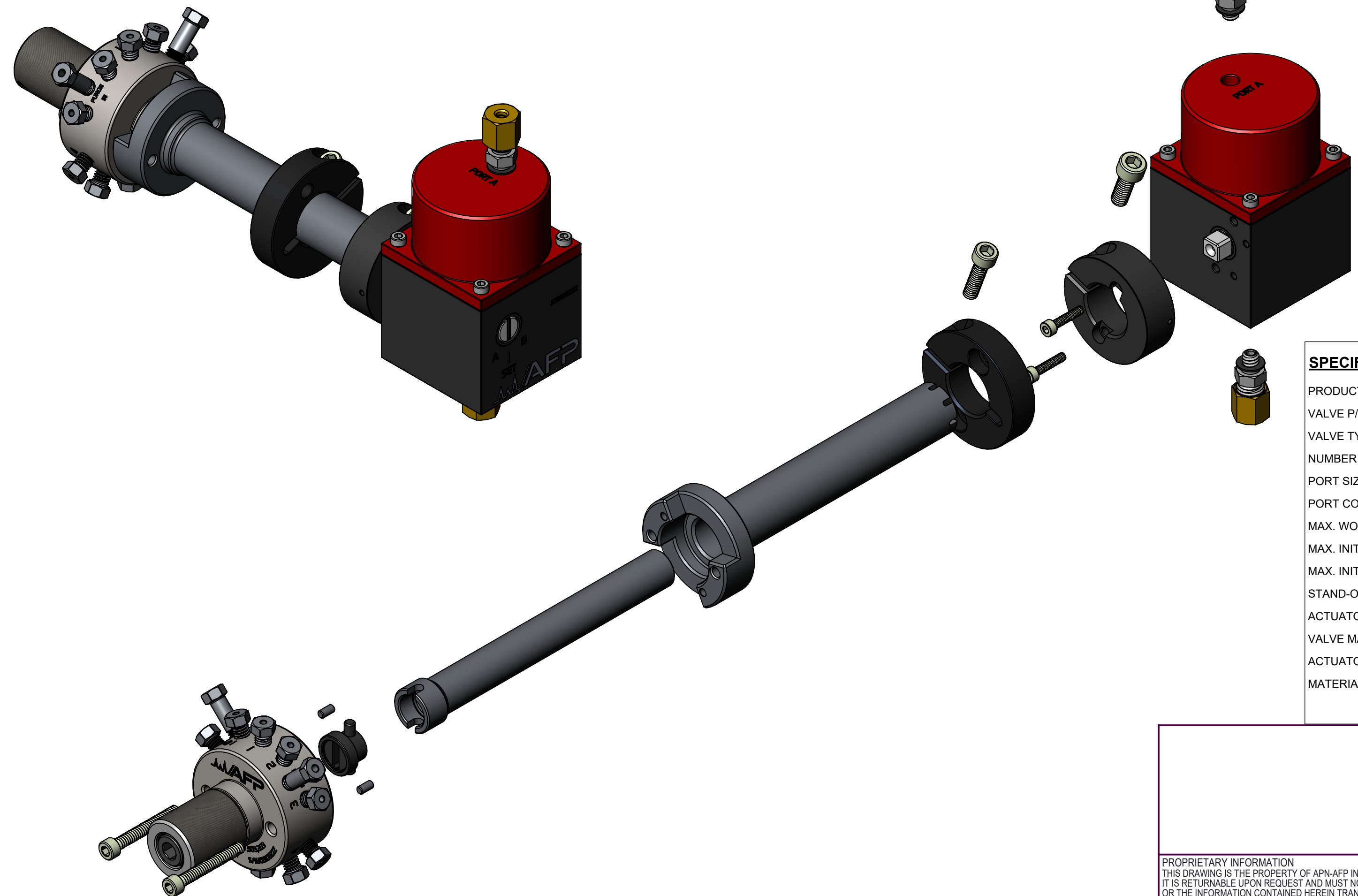
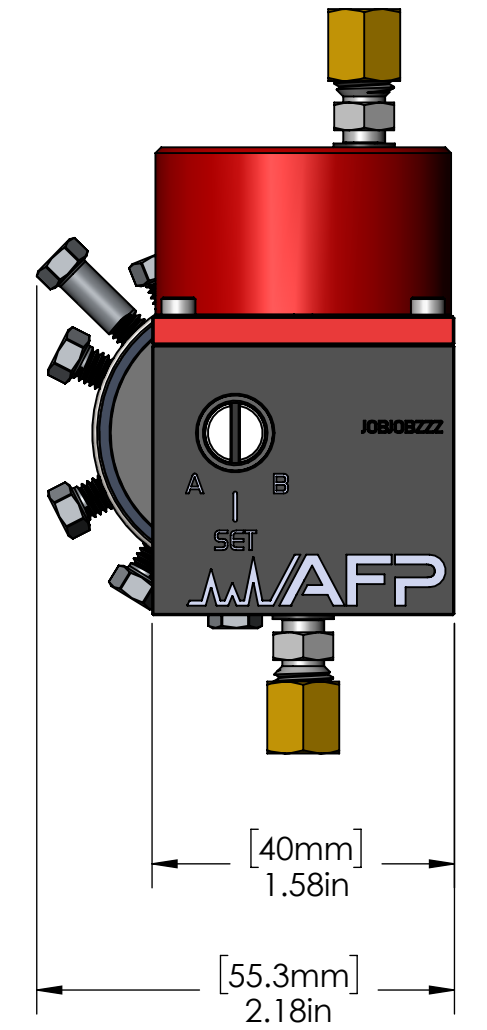
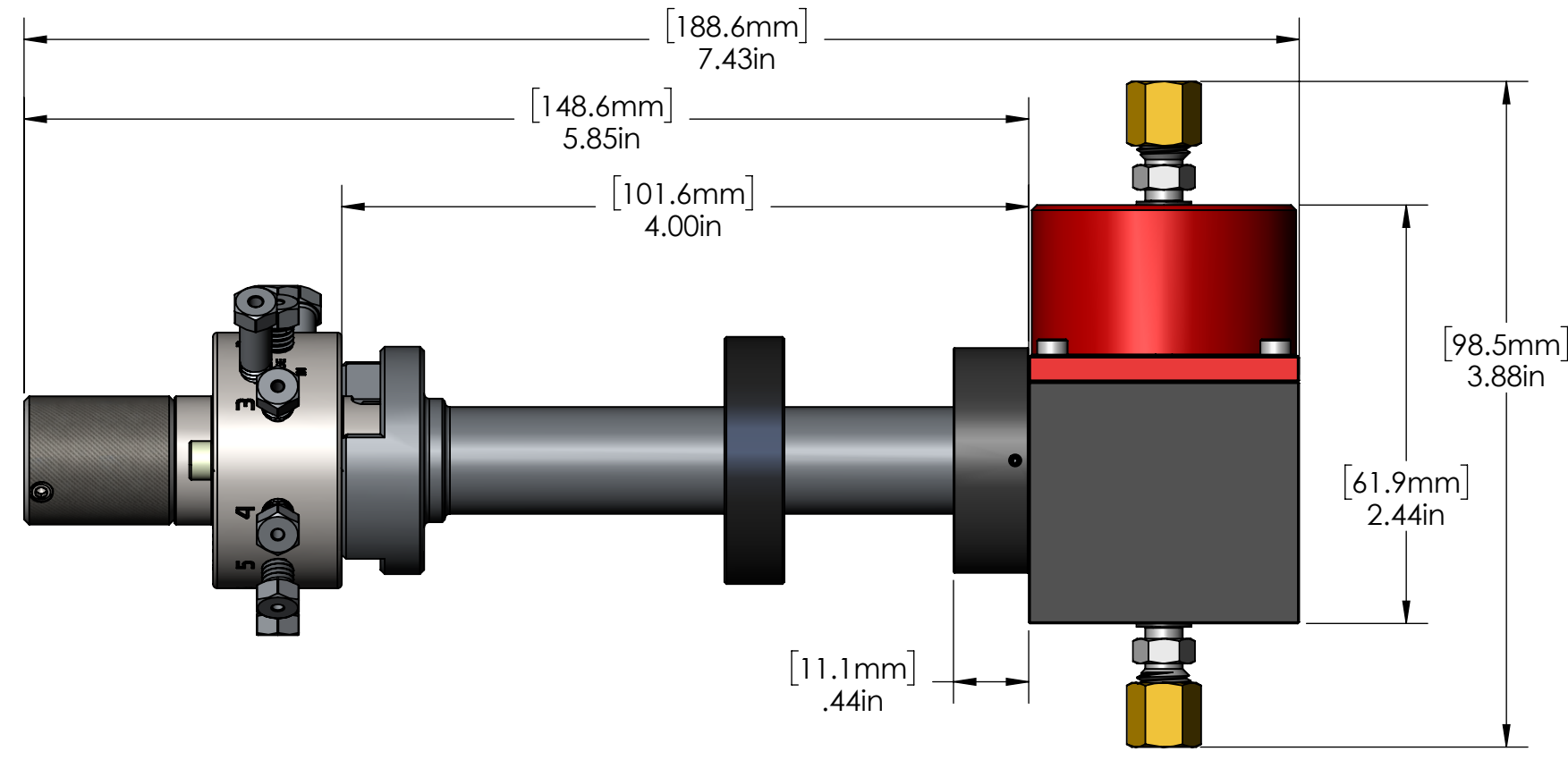



DATE	SYM	REVISION RECORD	ECO	DWN	ENG	MFG
2023-08-01	00	INITIAL RELEASE		GF	EB	CB



SPECIFICATIONS:

PRODUCT P/N	RVP10-16R2-0001-4P
VALVE P/N	RVP10-16R2-0001
VALVE TYPE	HIGH PERFORMANCE GRADE, MEDIUM TEMPERATURE
NUMBER OF PORTS	10
PORT SIZE	0.025" [0.64 mm]
PORT CONNECTION	1/16" [1.6 mm]
MAX. WORKING PRESSURE	325 psig [2240 kPa]
MAX. INITIAL LEAK RATE	1 E-9 Atm-cc/s He
MAX. INITIAL PRESSURE DROP	2 kPa @ 75 scfm N ₂ , max. 1 kPa between any sections
STAND-OFF LENGTH	4" [101.6 mm]
ACTUATOR PRESSURE INLET	40 psig [275 kPa] min., 80 psig [550 kPa] max.
VALVE MAX. WORKING TEMPERATURE	437°F [225°C]
ACTUATOR MAX. WORKING TEMP.	257°F [125°C]
MATERIAL	NITRONIC 60 VALVE STATOR R2 ROTOR TYPE (MODIFIED PEEK)

MATERIAL:	FINISH: MS-1021	 2659, boul. du Parc Technologique, Quebec, CANADA G1P 4S5 Tel.: 418-338-0004 Fax: 418-338-2500 Email: info@afproducts.ca Web: www.afproducts.ca			
			DESCRIPTION: RVP10 MPA 4" ASSEMBLY		
<small>PROPRIETARY INFORMATION THIS DRAWING IS THE PROPERTY OF APN-AFP INC. IT IS RETURNABLE UPON REQUEST AND MUST NOT BE REPRODUCED OR THE INFORMATION CONTAINED HEREIN TRANSMITTED TO ANY UNAUTHORIZED PERSON OR ORGANIZATION WITHOUT THE WRITTEN CONSENT OF APN-AFP INC.</small>		<small>UNIT</small> IN	<small>SIZE</small> C	<small>DWG. NO.</small> RVP10-16R2-0001-4P	<small>REV.</small> 00
<small>ACCORDANCE WITH LATEST ASME Y14.5</small>		<small>SCALE</small> 1 :	<small>SHEET</small> 1 <small>OF</small> 2		