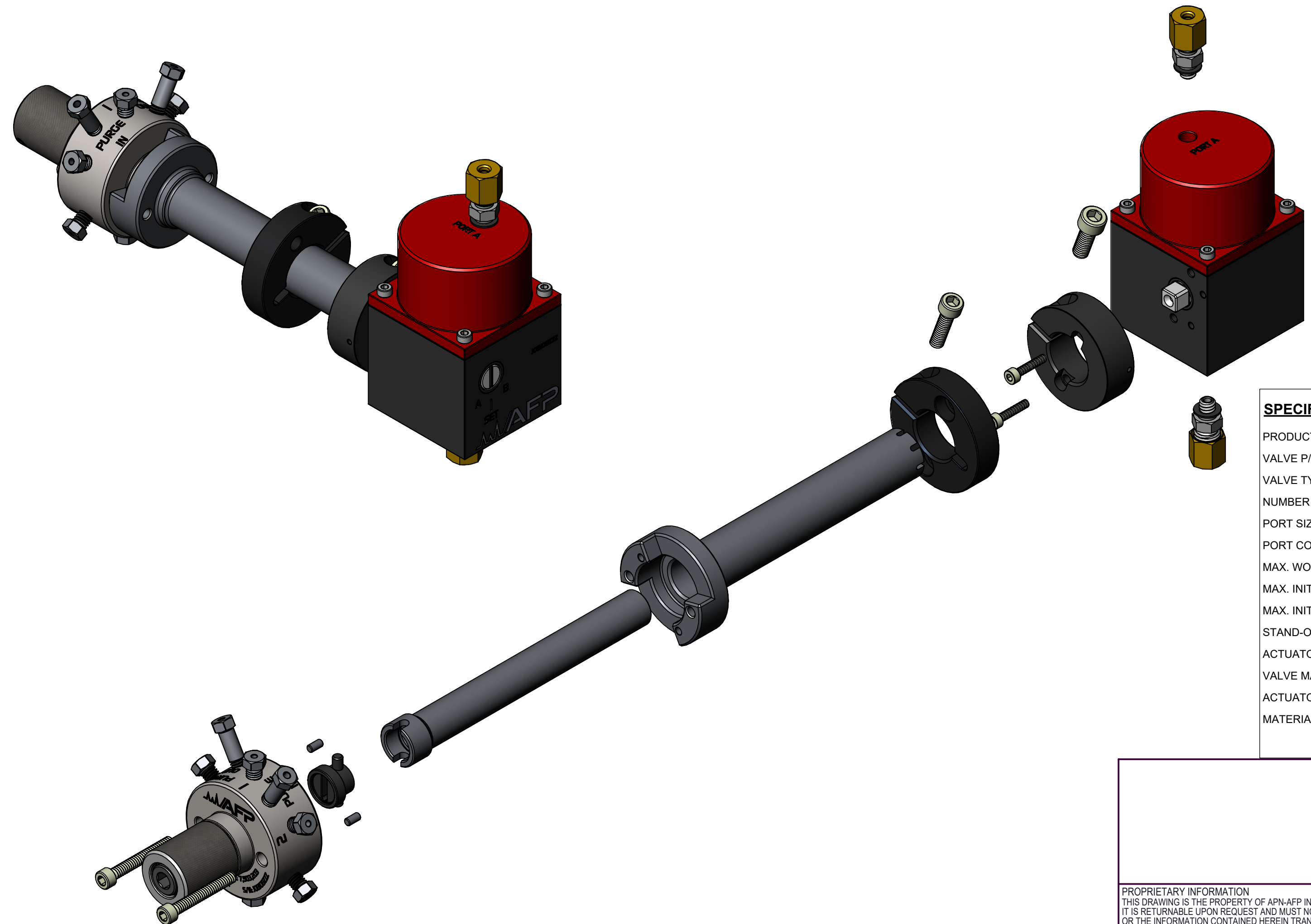
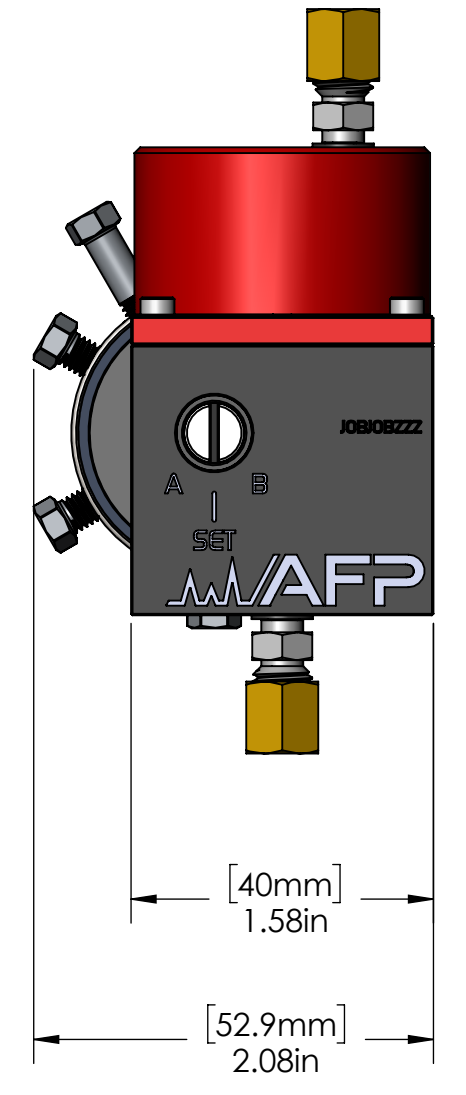
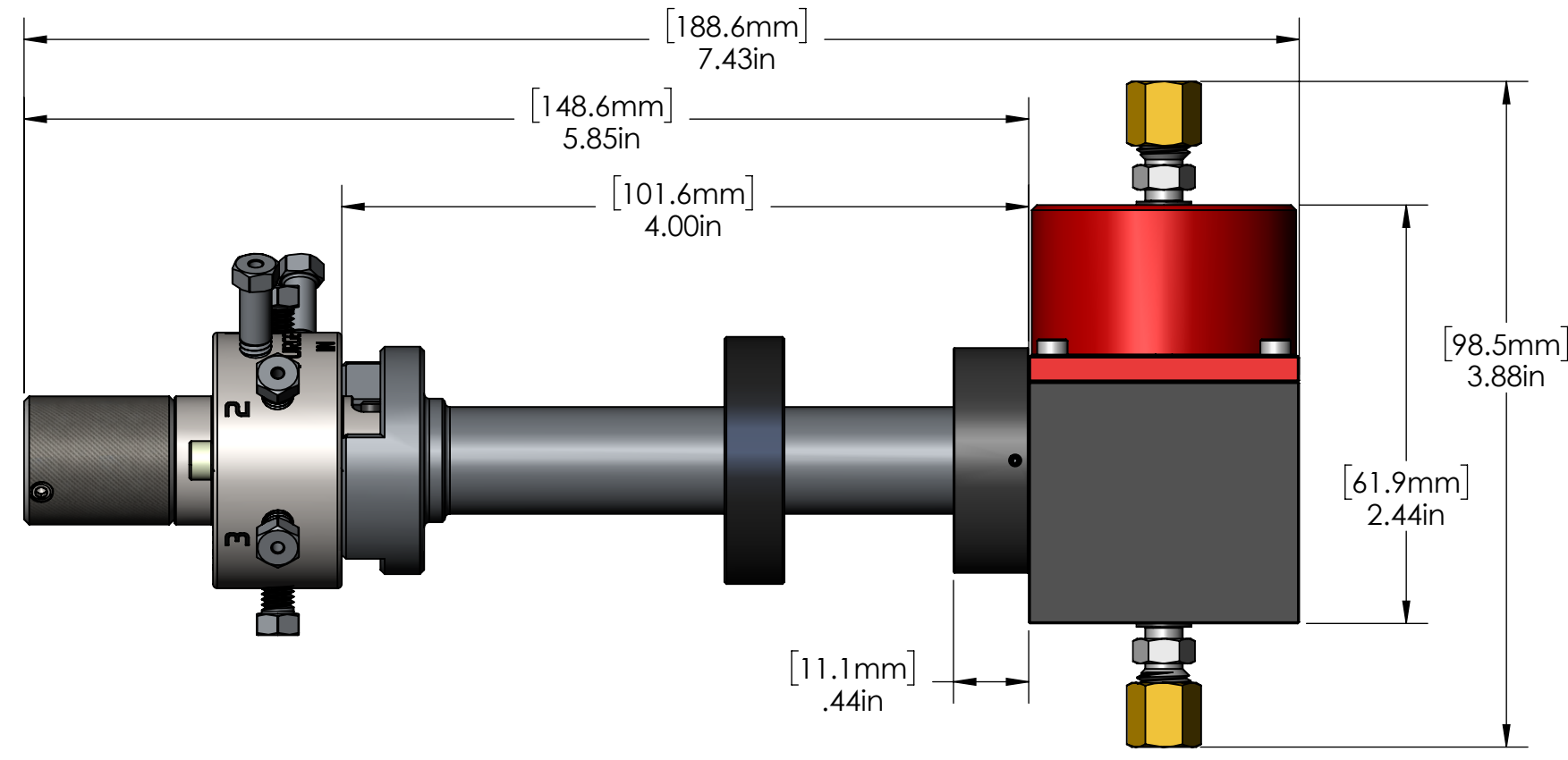


DATE	SYM	REVISION RECORD	ECO	DWN	ENG	MFG
2023-08-01	00	INITIAL RELEASE		GF	EB	CB



SPECIFICATIONS:

PRODUCT P/N	RVP06-16R2-0001-4P
VALVE P/N	RVP06-16R2-0001
VALVE TYPE	HIGH PERFORMANCE GRADE, MEDIUM TEMPERATURE
NUMBER OF PORTS	6
PORT SIZE	0.025" [0.64 mm]
PORT CONNECTION	1/16" [1.6 mm]
MAX. WORKING PRESSURE	325 psig [2240 kPa]
MAX. INITIAL LEAK RATE	1 E-9 Atm-cc/s He
MAX. INITIAL PRESSURE DROP	2 kPa @ 75 scfm N ₂ , max. 1 kPa between any sections
STAND-OFF LENGTH	4" [101.6 mm]
ACTUATOR PRESSURE INLET	40 psig [275 kPa] min., 80 psig [550 kPa] max.
VALVE MAX. WORKING TEMPERATURE	437°F [225°C]
ACTUATOR MAX. WORKING TEMP.	257°F [125°C]
MATERIAL	NITRONIC 60 VALVE STATOR R2 ROTOR TYPE (MODIFIED PEEK)

MATERIAL:	FINISH: MS-1021	<p>2659, boul. du Parc Technologique, Quebec, CANADA G1P 4S5 Tel.: 418-338-0004 Fax: 418-338-2500 Email: info@afproducts.ca Web: www.afproducts.ca</p>									
			DESCRIPTION: RVP06 MPA 4" ASSEMBLY								
<small>PROPRIETARY INFORMATION THIS DRAWING IS THE PROPERTY OF APN-AFP INC. IT IS RETURNABLE UPON REQUEST AND MUST NOT BE REPRODUCED OR THE INFORMATION CONTAINED HEREIN TRANSMITTED TO ANY UNAUTHORIZED PERSON OR ORGANIZATION WITHOUT THE WRITTEN CONSENT OF APN-AFP INC.</small>		<small>ACCORDANCE WITH LATEST ASME Y14.5</small>	<table border="1"> <tr> <th>UNIT</th> <th>SIZE</th> <th>DWG. NO.</th> <th>REV.</th> </tr> <tr> <td>IN</td> <td>C</td> <td>RVP06-16R2-0001-4P</td> <td>00</td> </tr> </table>	UNIT	SIZE	DWG. NO.	REV.	IN	C	RVP06-16R2-0001-4P	00
UNIT	SIZE	DWG. NO.	REV.								
IN	C	RVP06-16R2-0001-4P	00								
SCALE 1:		SHEET 1 OF 2									