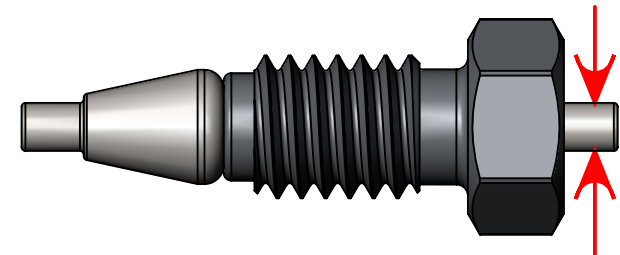
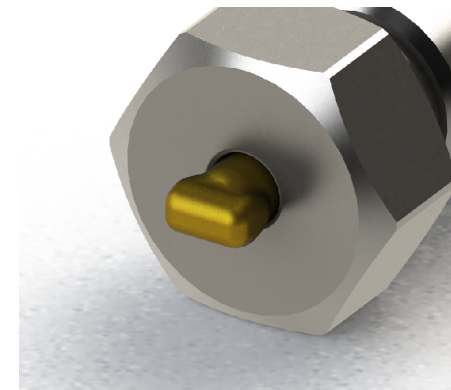
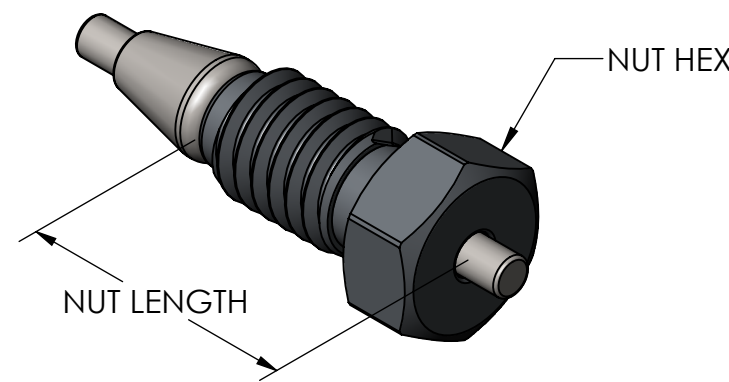
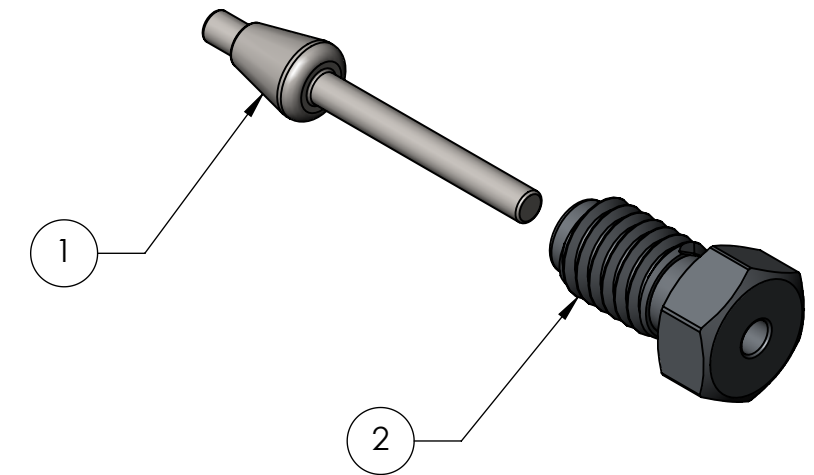


ASM Number	Description	Item #1 [See Drawing FPN-xxxx-xxx]	Item #2 [See Drawing FNN-xxxx-xxx]	NUT HEX	NUT LENGTH
PS-SS-16	Short Plug 1/16" SS316L	FPN-0202-0B0	FNN-S202-VA0	1/4	0.443
PS-SS-16-D	Short Plug 1/16" SS316L Dursan	FPN-0202-0B4	FNN-S202-VA0	1/4	0.443
PS-GP-16	Short Plug 1/16" Gold Plated	FPN-0202-0B1	FNN-S202-VA0	1/4	0.443
PS-B-16	Short Plug 1/16" Brass	FPN-0202-0L0	FNN-S202-VA0	1/4	0.443
PS-SS-08	Short Plug 1/8" SS316L	FPN-0404-0B0	FNN-S404-W A0	3/8	0.578
PS-SS-08-D	Short Plug 1/8" SS316L Dursan	FPN-0404-0B4	FNN-S404-W A0	3/8	0.578
PS-GP-08	Short Plug 1/8" Gold Plated	FPN-0404-0B1	FNN-S404-W A0	3/8	0.578
PS-B-08	Short Plug 1/8" Brass	FPN-0404-0L0	FNN-S404-W A0	3/8	0.578
PS-SK-16	Short Plug 1/16" SS316L, Coated Nuts	FPN-0202-0B0	FNN-S202-VA8	1/4	0.443
PS-SK-16-D	Short Plug 1/16" SS316L, Coated Nuts Dursan	FPN-0202-0B4	FNN-S202-VA8	1/4	0.443
PS-GK-16	Short Plug 1/16" Gold Plated, Coated Nuts	FPN-0202-0B1	FNN-S202-VA8	1/4	0.443
PS-BK-16	Short Plug 1/16" Brass, Coated Nuts	FPN-0202-0L0	FNN-S202-VA8	1/4	0.443
PS-SK-08	Short Plug 1/8" SS316L, Coated Nuts	FPN-0404-0B0	FNN-S404-W A8	3/8	0.578
PS-SK-08-D	Short Plug 1/8" SS316L, Coated Nuts Dursan	FPN-0404-0B4	FNN-S404-W A8	3/8	0.578
PS-GK-08	Short Plug 1/8" Gold Plated, Coated Nuts	FPN-0404-0B1	FNN-S404-W A8	3/8	0.578
PS-BK-08	Short Plug 1/8" Brass, Coated Nuts	FPN-0404-0L0	FNN-S404-W A8	3/8	0.578

DATE	SYM	REVISION RECORD	ECO	DWN	ENG	MFG
08-14-2014	00	INITIAL RELEASE	1561	JPD	AC	PD
03-29-2016	A	CHANGED TITLE BLOCK FROM NORGEN TO AFP	0056	DB	AC	PD



CRIMP HERE WITH PLIERS TO SLIGHTLY DEFORM THE PLUG END AND HOLD THE PARTS TOGETHER



UNLESS OTHERWISE SPECIFIED:
 - ALL DIMENSIONS ARE IN INCHES
 - SURFACE FINISH IS IN Ra MICRINCHES (µIN)
 - UNSPECIFIED SURFACES MUST BE 64 Ra µIN OR BETTER
 - REMOVE ALL BURRS & SHARP EDGES .003-.010
 - CRITICAL FEATURES INDICATED BY Ⓢ
 - TOLERANCES ARE:
 .XX ±.010 FRACTIONAL ±1/64"
 .XXX ±.003 ANGULAR ±.5°
 .XXXX ±.001
 - UNSPECIFIED CONCENTRICITY .005 TYP
 - UNSPECIFIED INSIDE CORNER RADIUS 0.010 MAX
 - REFER TO 3D MODEL FOR DIMENSIONS NOT SHOWN.
 TOLERANCE .XX APPLIES
 - DO NOT SCALE DRAWING

MATERIAL:
REFER TO P/N MATERIAL

FINISH:
MS-1022

ACCORDANCE WITH LATEST ASME Y14.5

Analytical Flow Products
A DIVISION OF MÉCANIQUE ANALYTIQUE INC.

233, Jalbert Ouest,
Therford Mines
Québec, Canada
G6G 7W1

Tel.: 418-338-0004
Fax.: 418-338-2500
Email: info@afproducts.ca
Web: www.afproducts.ca

DESCRIPTION: Short Plug Assembly

DRAWN	DATE	ENG	DATE	MFG	DATE	APPROVED	DATE
JPD	08-14-2014	AC	08-14-2014	PD	08-14-2014		

UNIT	SIZE	DWG. NO.	REV.
IN	B	PS-xx-xx-x	A

SCALE 4:1 SHEET 1 OF 1

ITEM NO.	PART NUMBER	DESCRIPTION	QTY.
1	SEE CONFIGURATION TABLE	Internal Plug - Short -	1
2	SEE CONFIGURATION TABLE	Internal Nut - Short -	1

UNCONTROLLED PRINT UNLESS STAMPED IN RED AS CONTROLLED

PROPRIETARY INFORMATION
 THIS DRAWING IS THE PROPERTY OF MÉCANIQUE ANALYTIQUE INC.
 IT IS RETURNABLE UPON REQUEST AND MUST NOT BE REPRODUCED
 OR THE INFORMATION CONTAINED HEREIN TRANSMITTED TO ANY
 UNAUTHORIZED PERSON OR ORGANIZATION WITHOUT THE
 WRITTEN CONSENT OF MÉCANIQUE ANALYTIQUE INC.