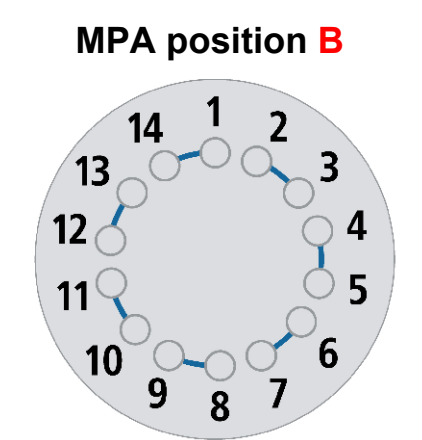
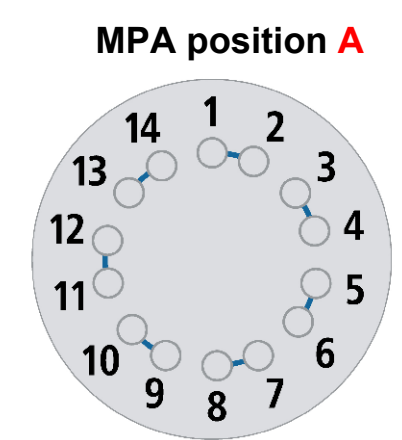
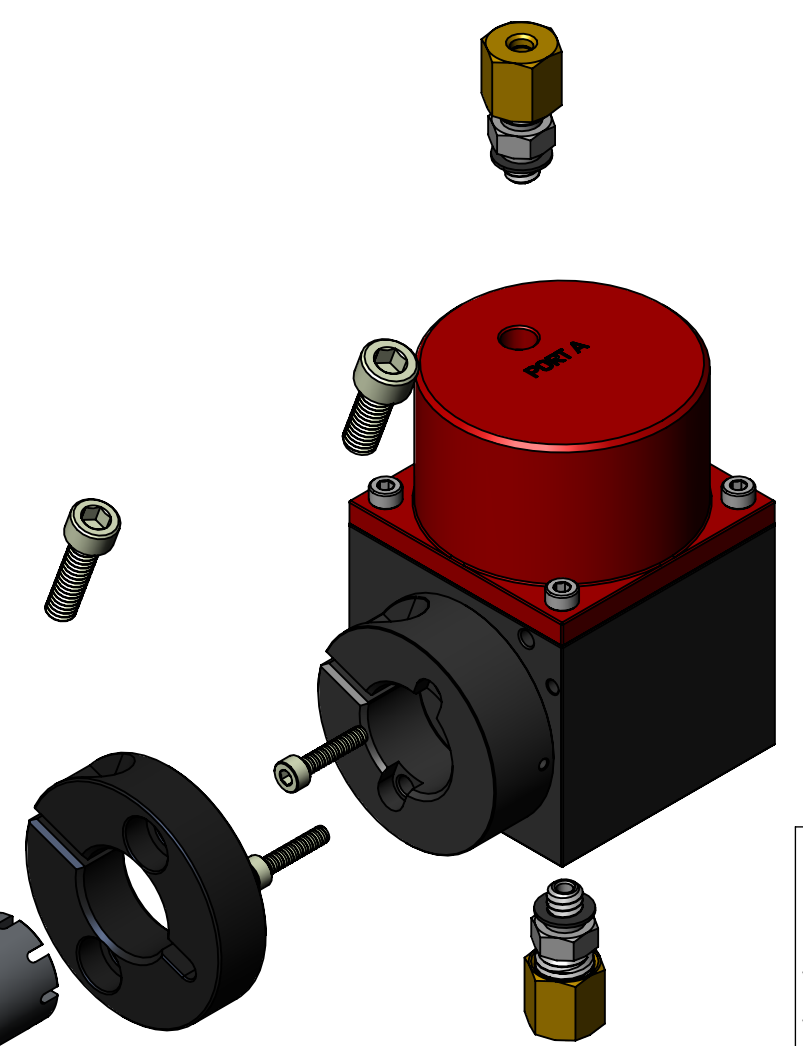
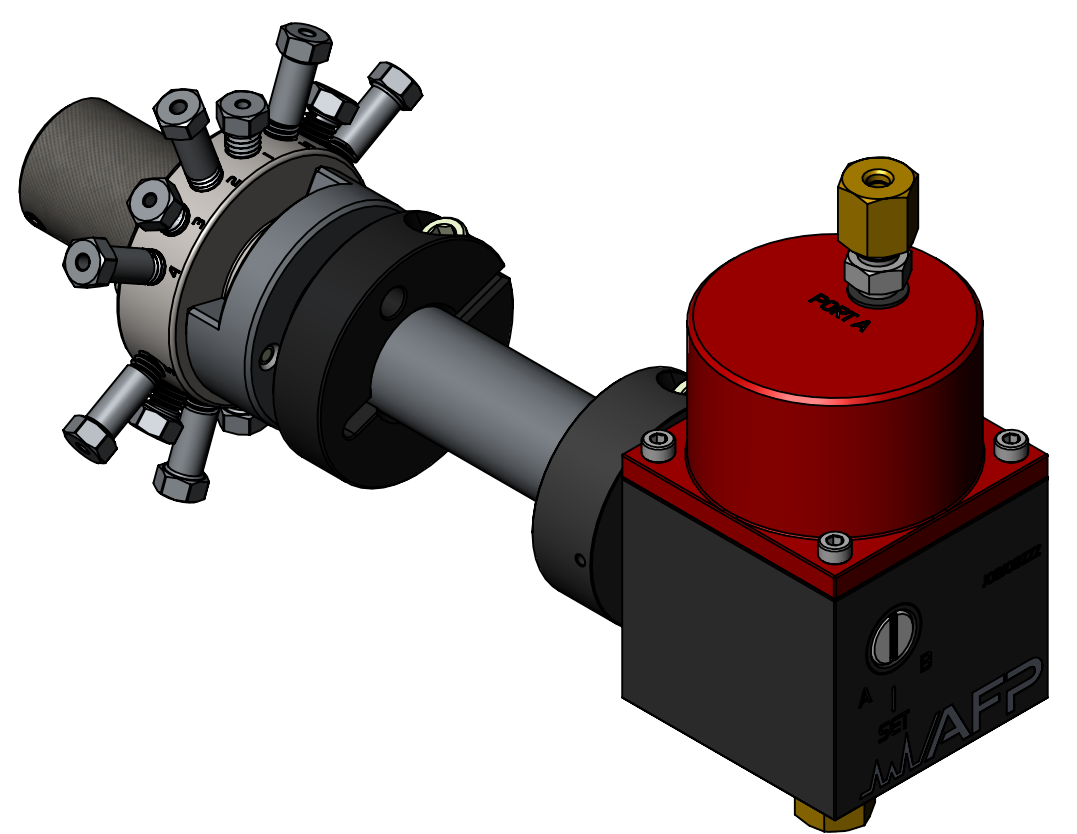
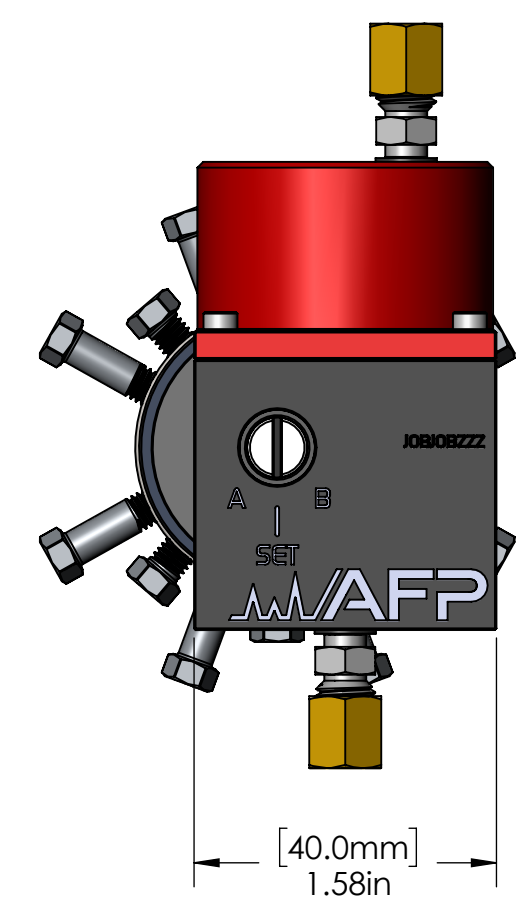
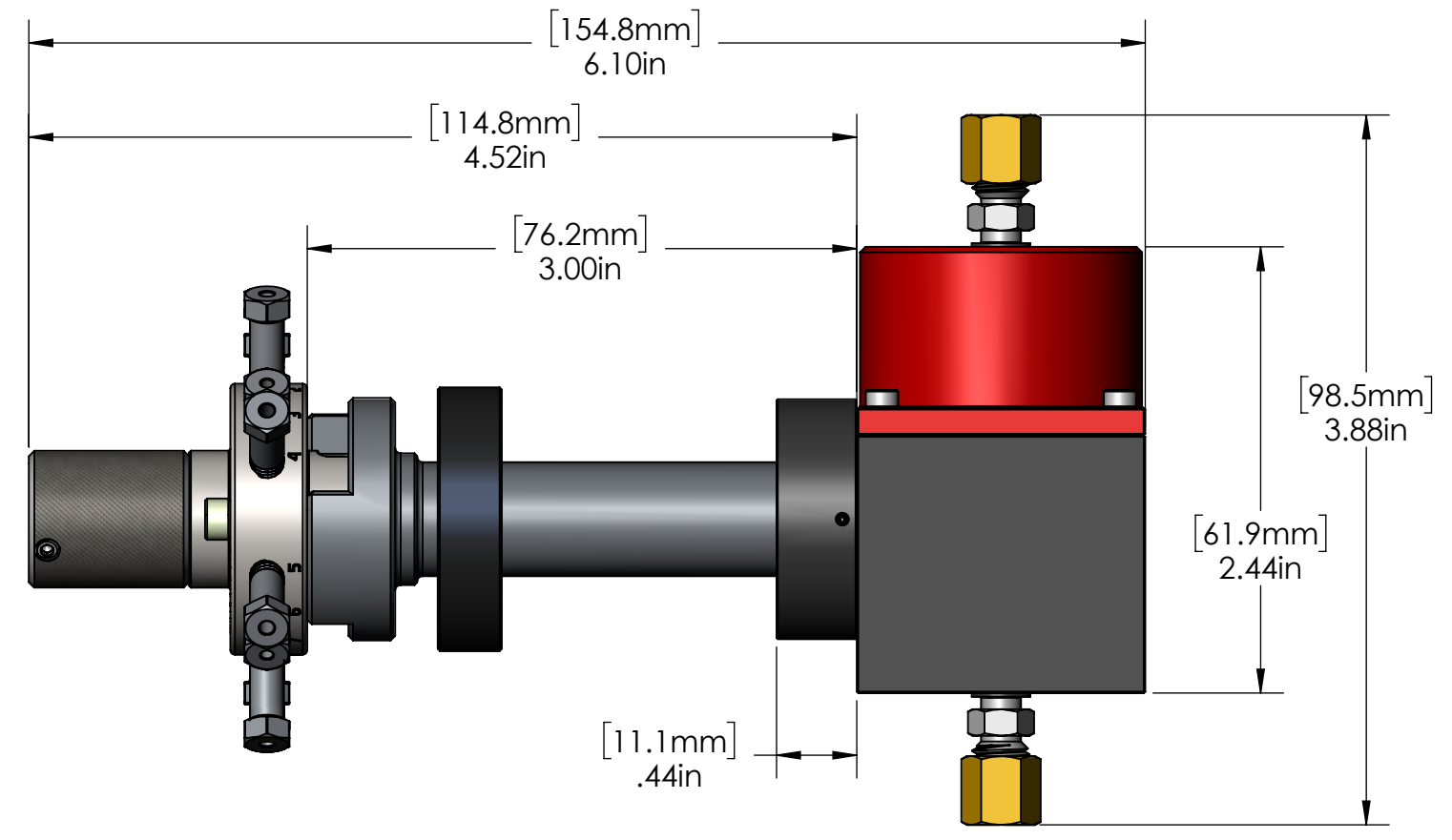


DATE	SYM	REVISION RECORD	ECO	DWN	ENG	MFG
2023-02-06	00	INITIAL RELEASE	0147	JS	EB	CB



**SPECIFICATIONS:**

PRODUCT P/N	MRV14-16R2-0008-3P
VALVE P/N	MRV14-16R2-0008
VALVE TYPE	HIGH PERFORMANCE GRADE, MEDIUM TEMPERATURE
NUMBER OF PORTS	14
PORT SIZE	0.025" [0.64 mm]
PORT CONNECTION	1/16" [1.6 mm]
MAX. WORKING PRESSURE	150 psig [1034 kPa]
MAX. INITIAL LEAK RATE	8.5E-10 Atm-cc/s He
MAX. INITIAL PRESSURE DROP	2 kPa @ 75 scfm N <sub>2</sub> , max. 1 kPa between any sections
STAND-OFF LENGTH	3" [76.2 mm]
ACTUATOR PRESSURE INLET	40 psig [275 kPa] min., 80 psig [550 kPa] max.
VALVE MAX. WORKING TEMPERATURE	437°F [225°C]
ACTUATOR MAX. WORKING TEMP.	257°F [125°C]
MATERIAL	NITRONIC 60 VALVE STATOR R2 ROTOR TYPE (MODIFIED PEEK)

MATERIAL:		<p>2659, boul. du Parc Technologique, Quebec, CANADA G1P 4S5 Tel: 418-338-0004 Fax: 418-338-2500 Email: info@afproducts.ca Web: www.afproducts.ca</p>	
FINISH:			
ACCORDANCE WITH LATEST ASME Y14.5		DESCRIPTION: MRV14 MPA 3" ASSEMBLY	
UNIT	SIZE	DWG. NO.	REV.
IN	C	MRV14-16R2-0008-3P	00
SCALE	1:	SHEET	1 OF 2

PROPRIETARY INFORMATION  
THIS DRAWING IS THE PROPERTY OF APN-AFP INC.  
IT IS RETURNABLE UPON REQUEST AND MUST NOT BE REPRODUCED  
OR THE INFORMATION CONTAINED HEREIN TRANSMITTED TO ANY  
UNAUTHORIZED PERSON OR ORGANIZATION WITHOUT THE  
WRITTEN CONSENT OF APN-AFP INC.