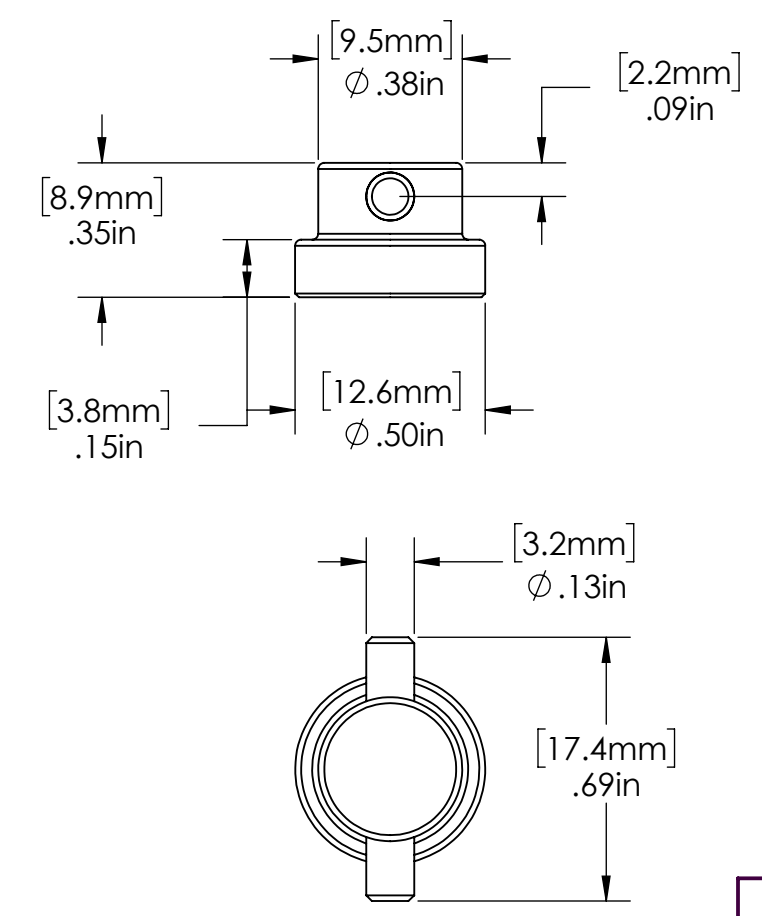
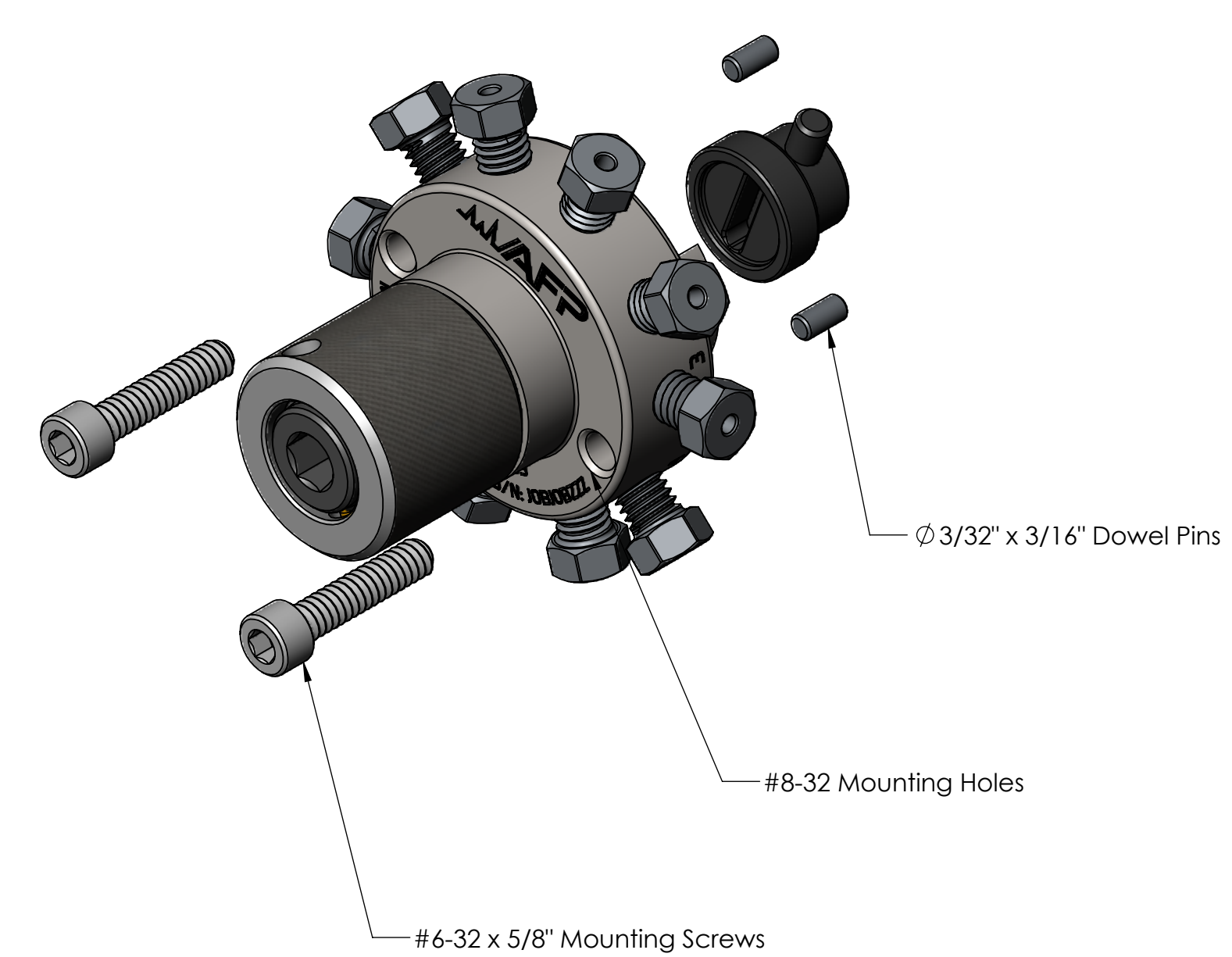
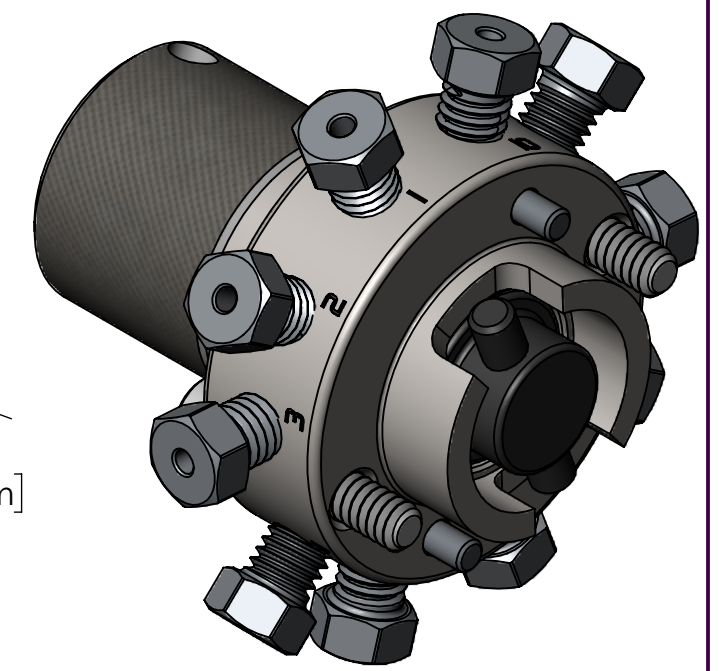
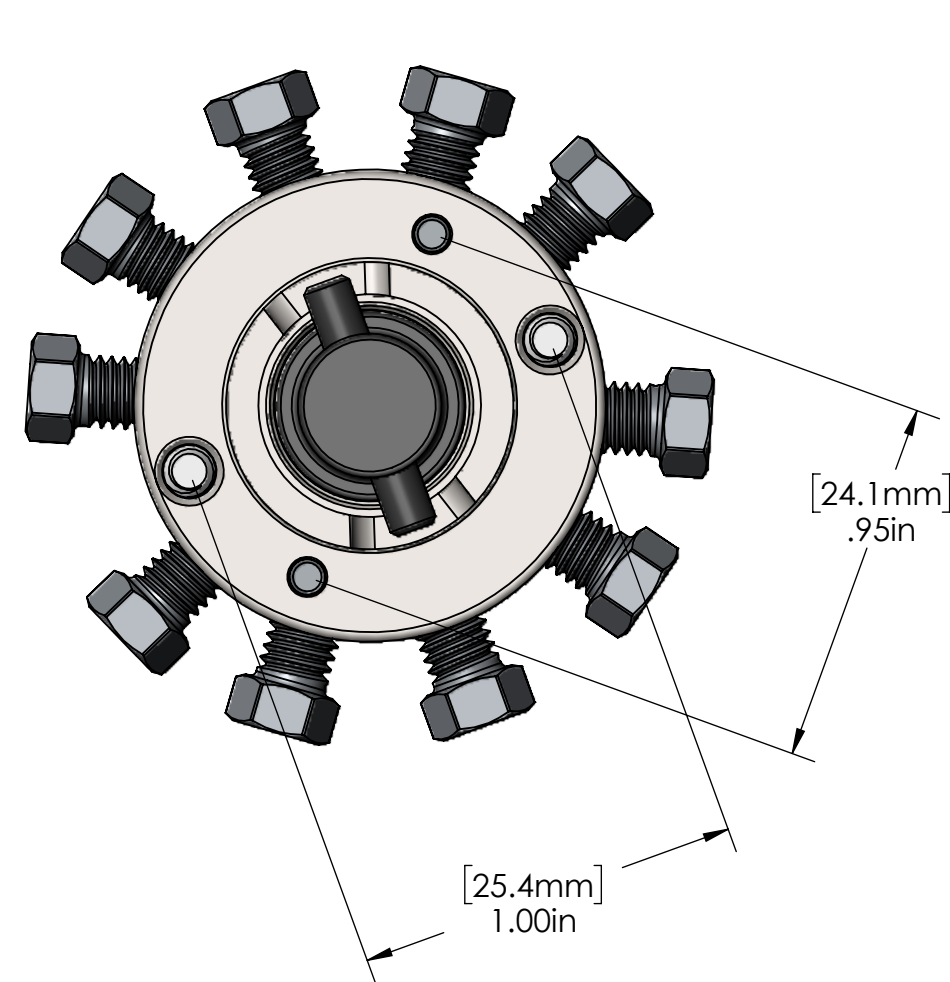
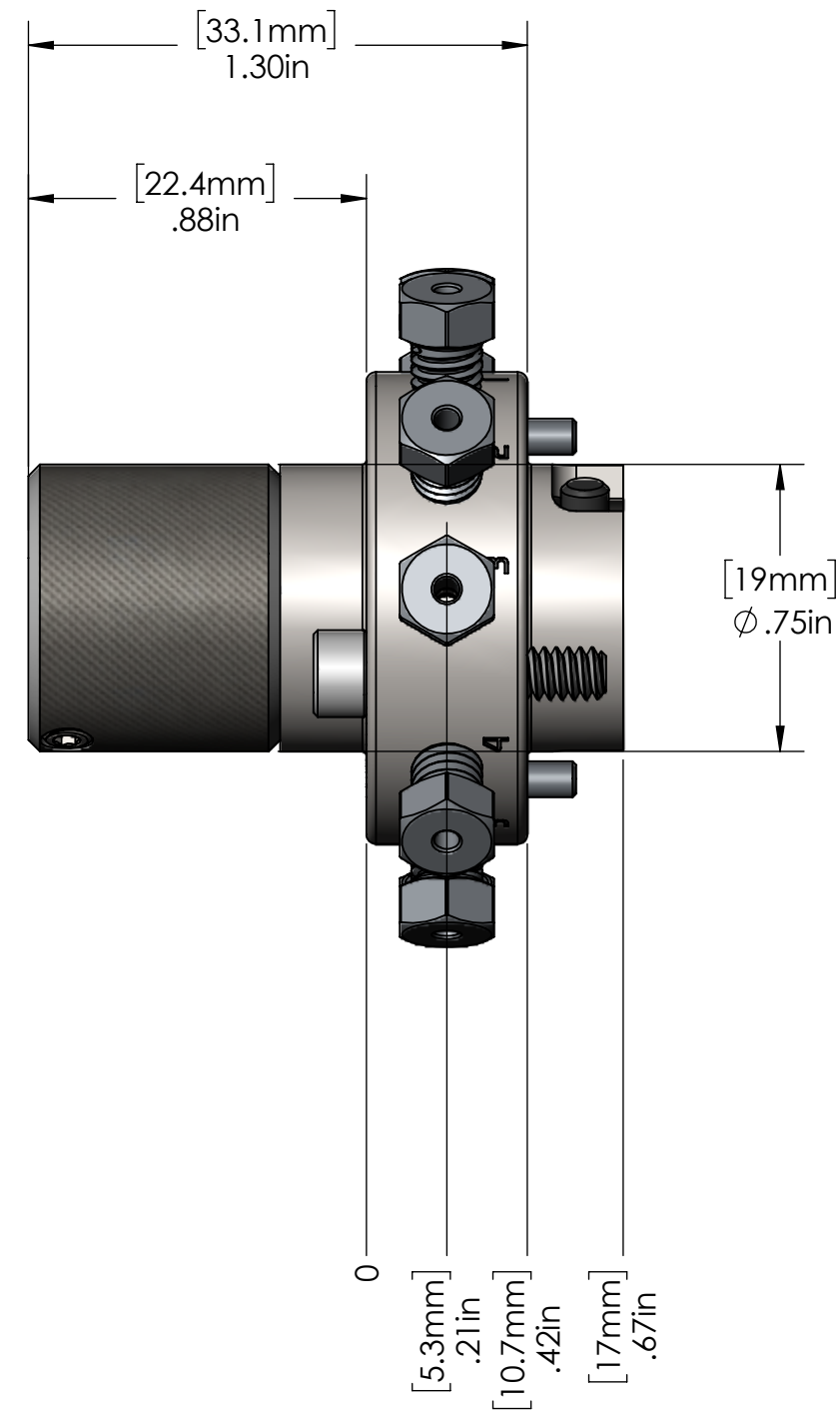
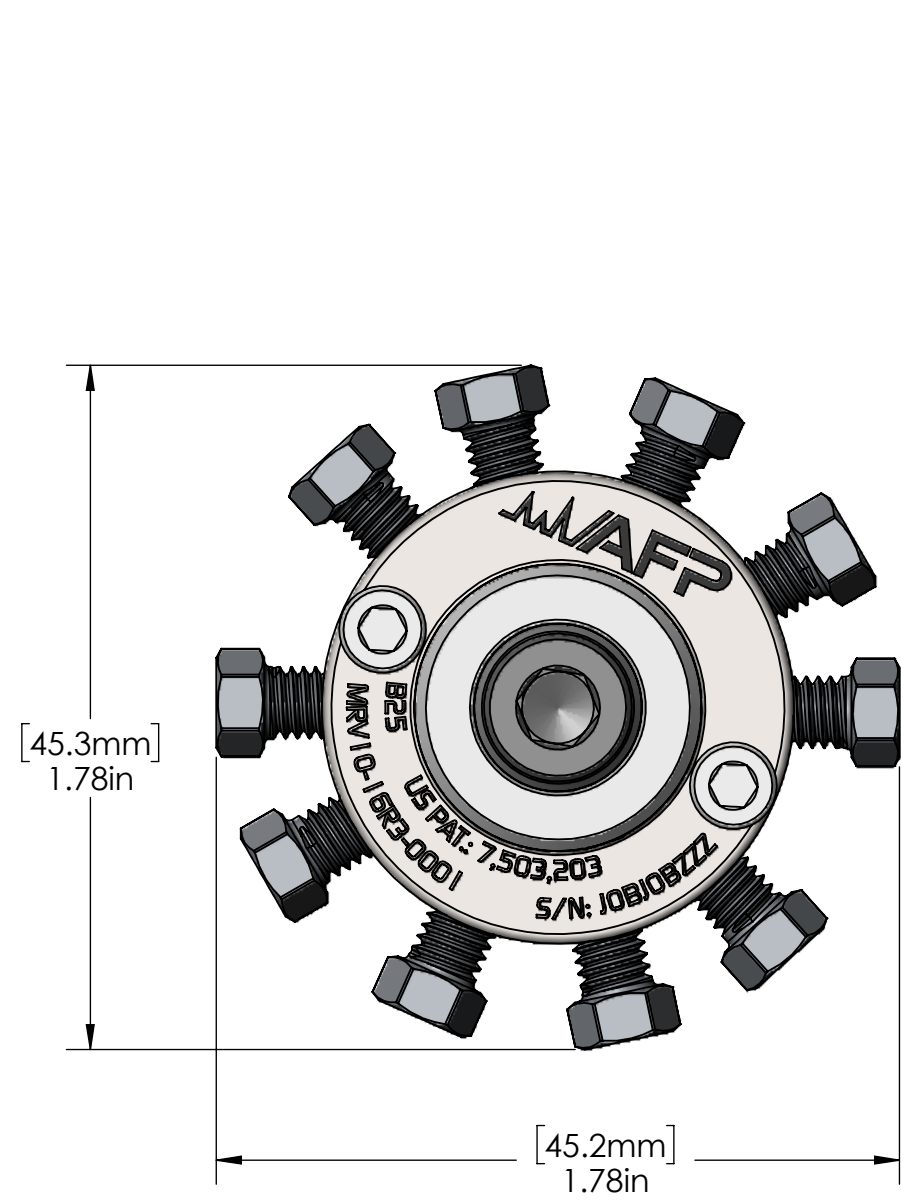


DATE	SYM	REVISION RECORD	ECO	DWN	ENG	MFG
2023-08-01	00	INITIAL RELEASE		EB	JS	SD



SPECIFICATIONS:

PRODUCT P/N	MRV10-16R3-0001-00
VALVE P/N	MRV10-16R3-0001
VALVE TYPE	HIGH PERFORMANCE GRADE, HIGH TEMPERATURE
NUMBER OF PORTS	10
PORT SIZE	0.025" [0.64 mm]
PORT CONNECTION	1/16" [1.6 mm]
MAX. WORKING PRESSURE	325 psig [2240 kPa]
MAX. INITIAL LEAK RATE	1E-9 Atm-cc/s He
MAX. INITIAL PRESSURE DROP	2 kPa @ 75 sccm N ₂ , max. 1 kPa between any sections
MAX. INITIAL TORQUE	10 in-lb
VALVE MAX. WORKING TEMPERATURE	662°F [350°C]
MATERIAL	NITRONIC 60 VALVE STATOR R3 ROTOR TYPE (MODIFIED POLYIMIDE)

MATERIAL: FINISH: MS-1021	2659, boul. du Parc Technologique, Québec, CANADA G1P 4S5 Tel: 418-338-0004 Fax: 418-338-2500 Email: info@afproducts.ca Web: www.afproducts.ca			
	DESCRIPTION: REPLACEMENT MRV10-R3 ASSEMBLY			
PROPRIETARY INFORMATION THIS DRAWING IS THE PROPERTY OF APN-AFP INC. IT IS RETURNABLE UPON REQUEST AND MUST NOT BE REPRODUCED OR THE INFORMATION CONTAINED HEREIN TRANSMITTED TO ANY UNAUTHORIZED PERSON OR ORGANIZATION WITHOUT THE WRITTEN CONSENT OF APN-AFP INC.	UNIT IN	SIZE C	DWG. NO. MRV10-16R3-0001-00	REV. 00
SCALE 2:		SHEET 1 OF 2		