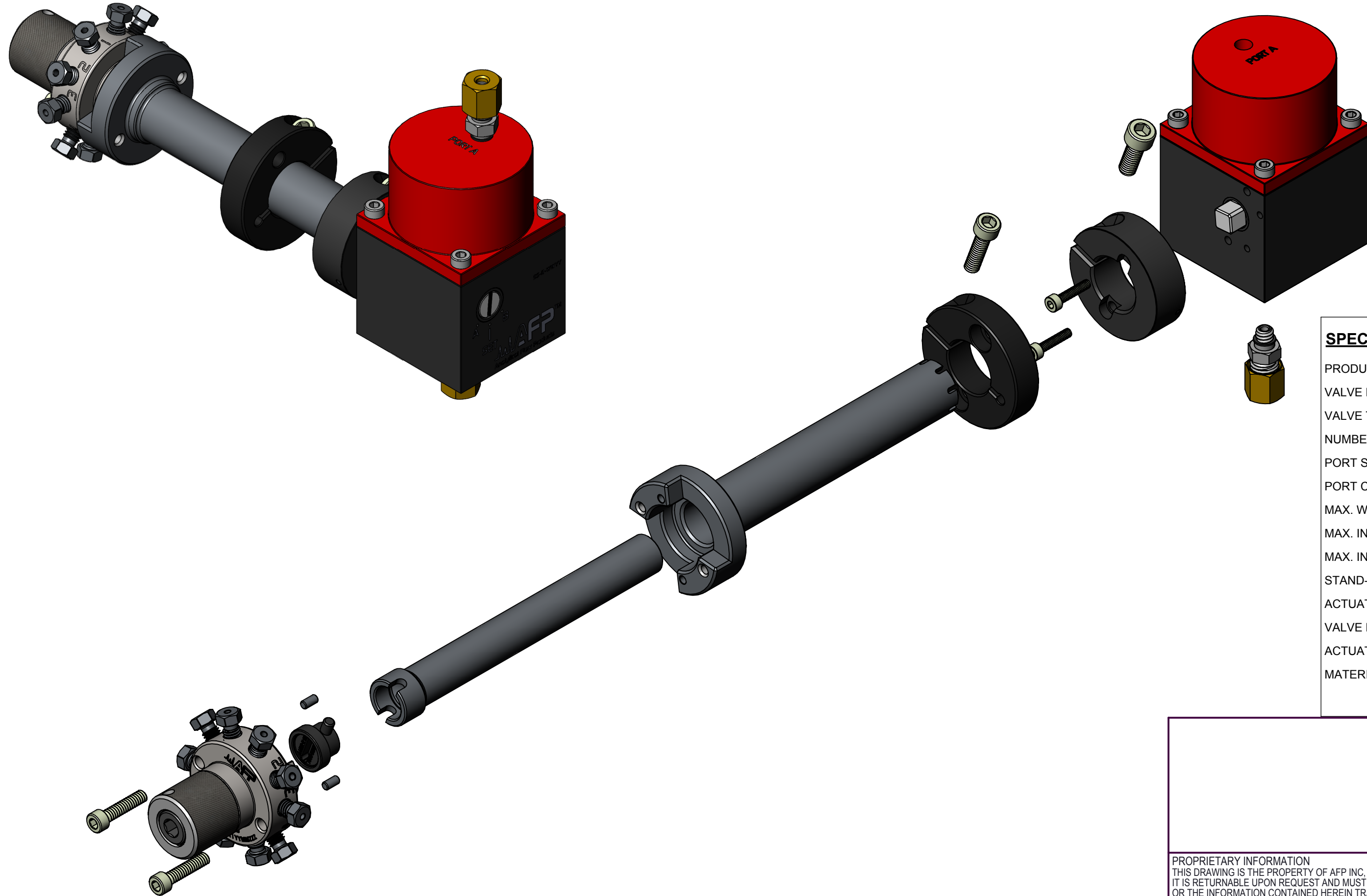
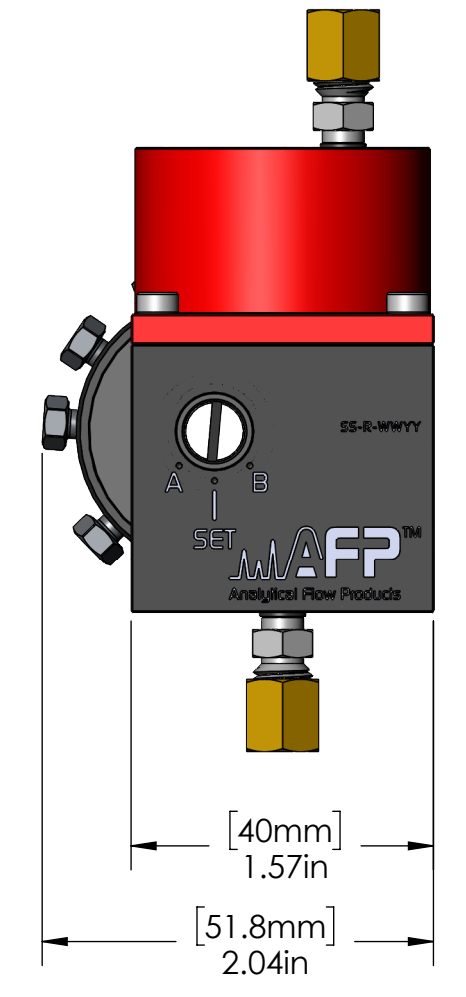
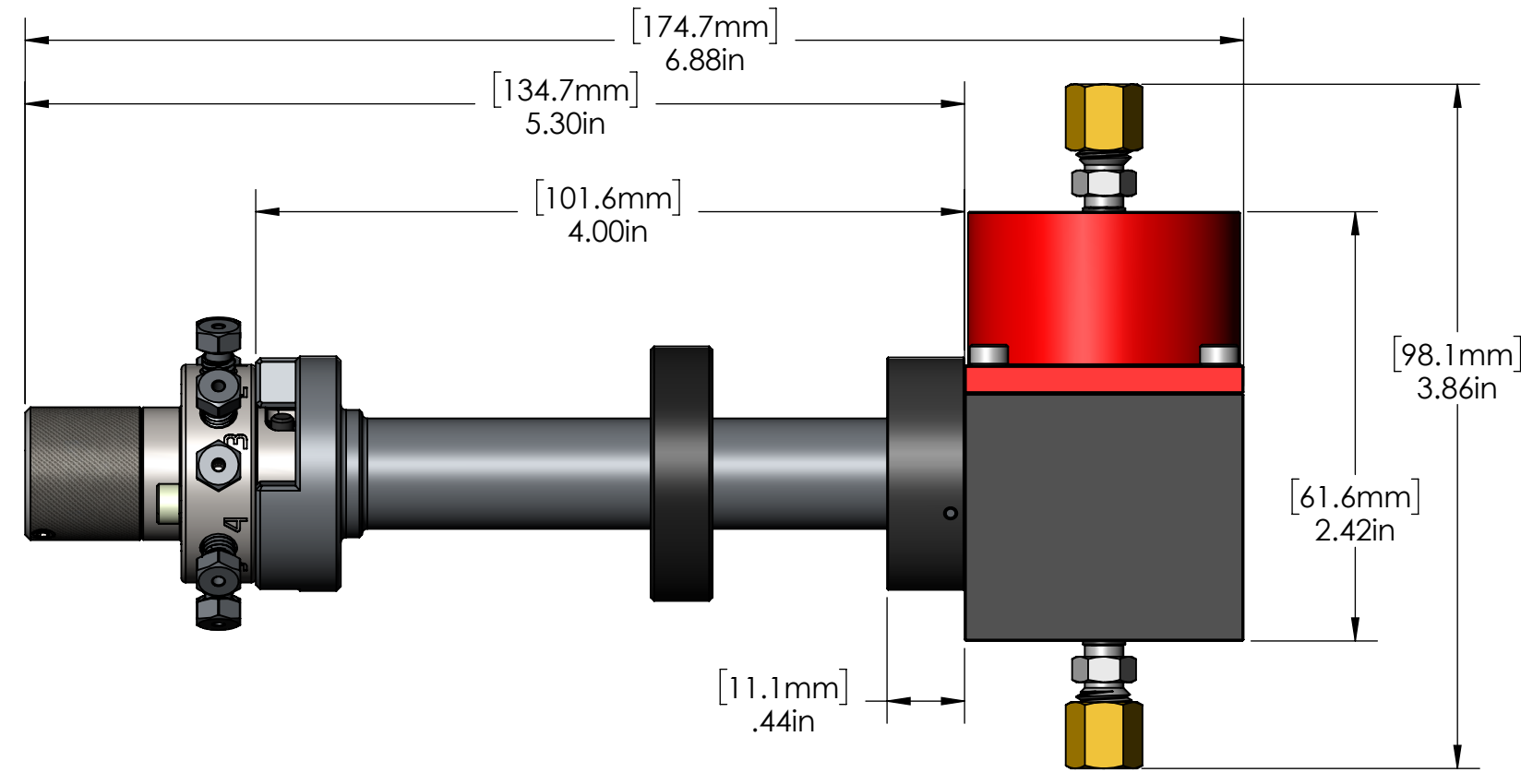


DATE	SYM	REVISION RECORD	ECO	DWN	ENG	MFG
2018-02-19	00	INITIAL RELEASE	0094	AC	AC	SL



SPECIFICATIONS:

PRODUCT P/N	MRV10-16R2-0007-4P
VALVE P/N	MRV10-16R2-0007
VALVE TYPE	HIGH PERFORMANCE GRADE, MEDIUM TEMPERATURE
NUMBER OF PORTS	10
PORT SIZE	0.025" [0.64 mm]
PORT CONNECTION	1/16" [1.6 mm]
MAX. WORKING PRESSURE	400 psig [2930 kPa]
MAX. INITIAL LEAK RATE	8.5E-10 Atm-cc/s He
MAX. INITIAL PRESSURE DROP	2 kPa @ 75 scfm N ₂ , max. 1 kPa between any sections
STAND-OFF LENGTH	4" [101.6 mm]
ACTUATOR PRESSURE INLET	40 psig [275 kPa] min., 80 psig [550 kPa] max.
VALVE MAX. WORKING TEMPERATURE	437°F [225°C]
ACTUATOR MAX. WORKING TEMP.	257°F [125°C]
MATERIAL	NITRONIC 60 VALVE STATOR R2 ROTOR TYPE (MODIFIED PEEK)

MATERIAL:	ANALYTICAL FLOW PRODUCTS		2659, boul. du Parc Technologique Québec, CANADA G1P 4S5				
	FINISH:	MS-1021	Tel: 418-338-0004 Fax: 418-338-2500 Email: info@afproducts.ca Web: www.afproducts.ca				
DESCRIPTION:		MRV10 MPA 4" ASSEMBLY					
DRAWN	DATE	ENG	DATE	MFG	DATE	APPROVED	DATE
DB	04-15-2016	AC		PD			
UNIT	SIZE	DWG. NO.		REV.			
IN	C	MRV10-16R2-0007-4P		00			
SCALE	1:	SHEET		1	OF		2

PROPRIETARY INFORMATION
THIS DRAWING IS THE PROPERTY OF AFP INC.
IT IS RETURNABLE UPON REQUEST AND MUST NOT BE REPRODUCED
OR THE INFORMATION CONTAINED HEREIN TRANSMITTED TO ANY
UNAUTHORIZED PERSON OR ORGANIZATION WITHOUT THE
WRITTEN CONSENT OF AFP INC.