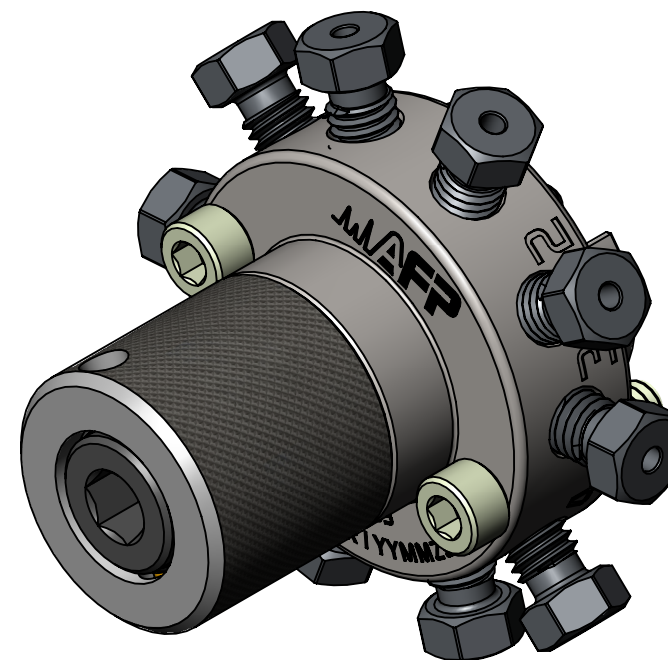
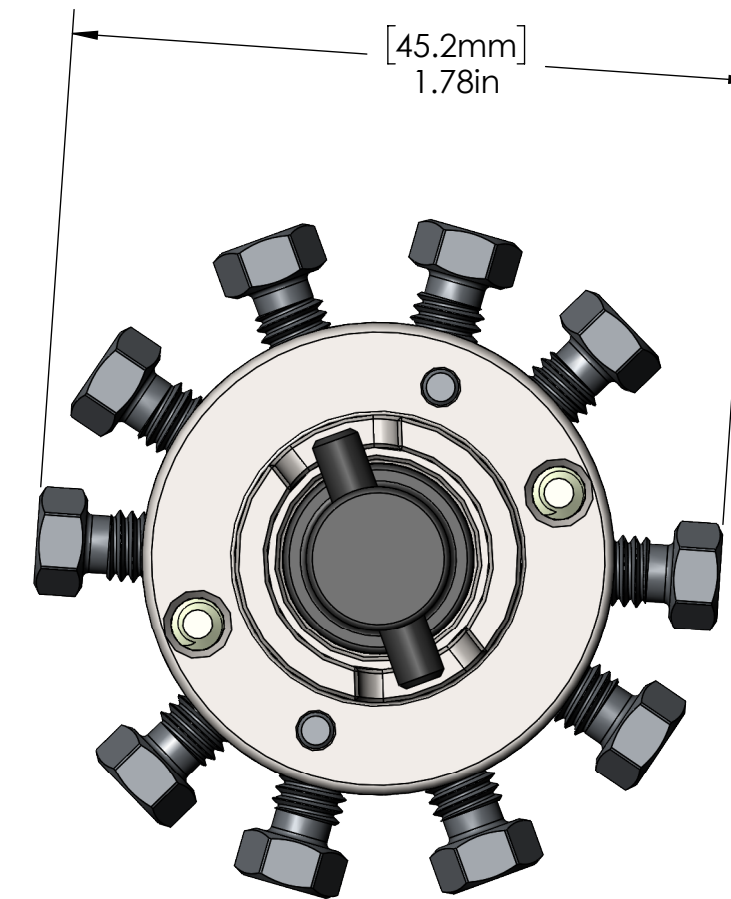
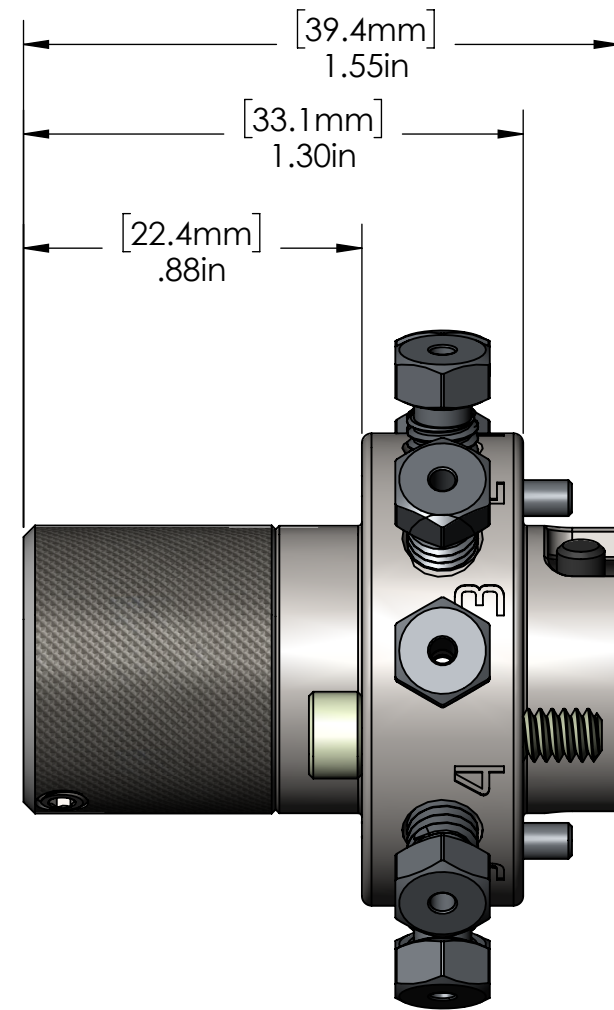



DATE	SYM	REVISION RECORD	ECO	DWN	ENG	MFG
2018-02-19	00	INITIAL RELEASE	0094	AC	AC	SL



**SPECIFICATIONS:**

PRODUCT P/N	MRV10-16R2-0007-00
VALVE P/N	MRV10-16R2-0007
VALVE TYPE	HIGH PERFORMANCE GRADE, MEDIUM TEMPERATURE
NUMBER OF PORTS	10
PORT SIZE	0.025" [0.64 mm]
PORT CONNECTION	1/16" [1.6 mm]
MAX. WORKING PRESSURE	400 psig [2930 kPa]
MAX. INITIAL LEAK RATE	8.5E-10 Atm-cc/s He
MAX. INITIAL PRESSURE DROP	2 kPa @ 75 sccm N <sub>2</sub> , max. 1 kPa between any sections
VALVE MAX. WORKING TEMPERATURE	437°F [225°C]
MATERIAL	NITRONIC 60 VALVE STATOR R2 ROTOR TYPE (MODIFIED PEEK)

MATERIAL:  FINISH: MS-1021	 Analytical Flow Products		2659, boul. du Parc Technologique Québec, Québec, CANADA G1P 4S5 Tel: 418-338-0004 Fax: 418-338-2500 Email: info@afproducts.ca Web: www.afproducts.ca
	DESCRIPTION: <b>REPLACEMENT MRV10-R2 ASSEMBLY</b>		
ACCORDANCE WITH LATEST ASME Y14.5		DRAWN DATE ENG DATE MFG DATE APPROVED DATE DB 04-15-2016 AC PD	UNIT SIZE DWG. NO. REV. IN C MRV10-16R2-0007-00 00
PROPRIETARY INFORMATION THIS DRAWING IS THE PROPERTY OF AFP INC. IT IS RETURNABLE UPON REQUEST AND MUST NOT BE REPRODUCED OR THE INFORMATION CONTAINED HEREIN TRANSMITTED TO ANY UNAUTHORIZED PERSON OR ORGANIZATION WITHOUT THE WRITTEN CONSENT OF AFP INC.		SCALE 2:	SHEET 1 OF 2