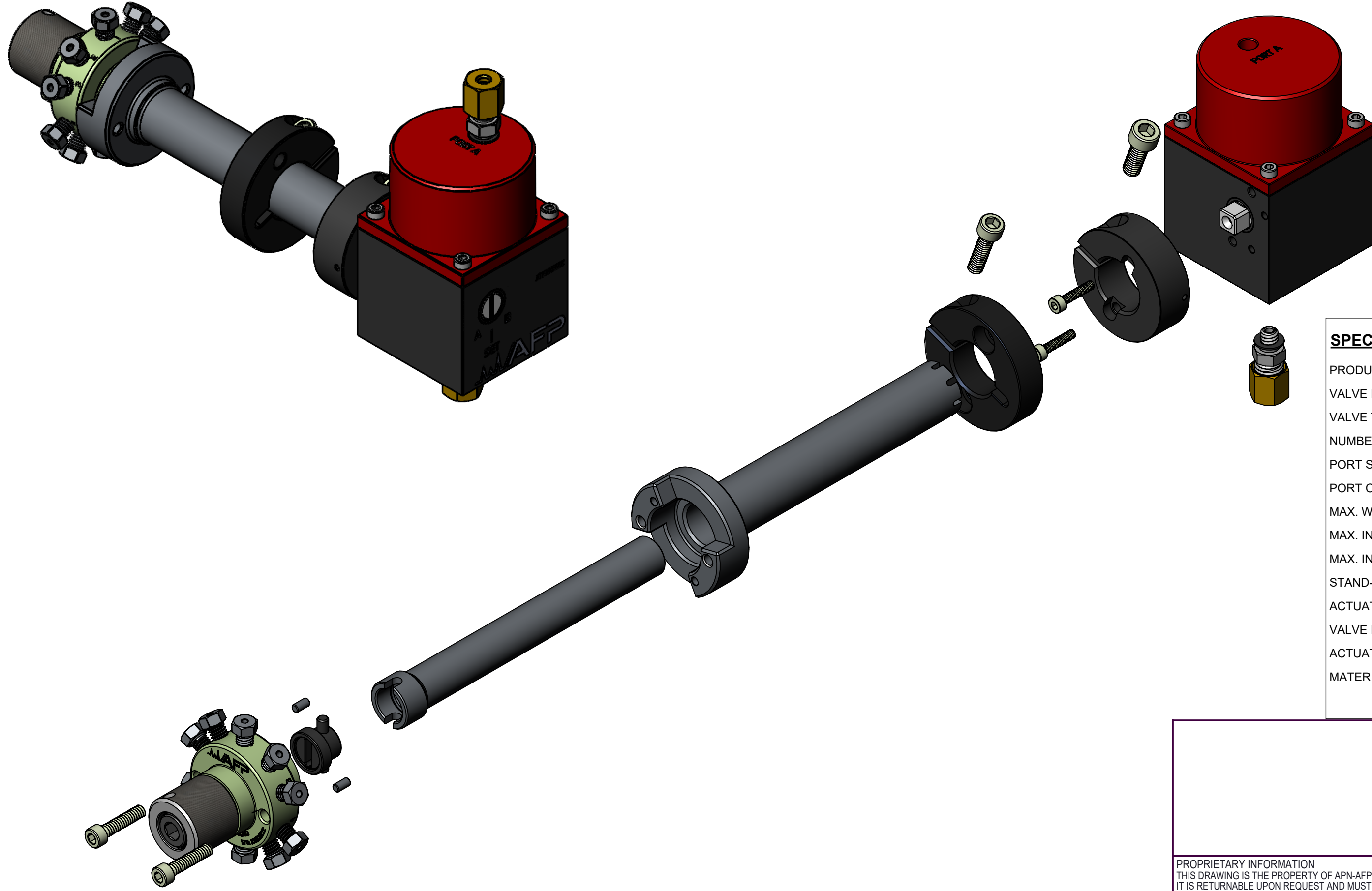
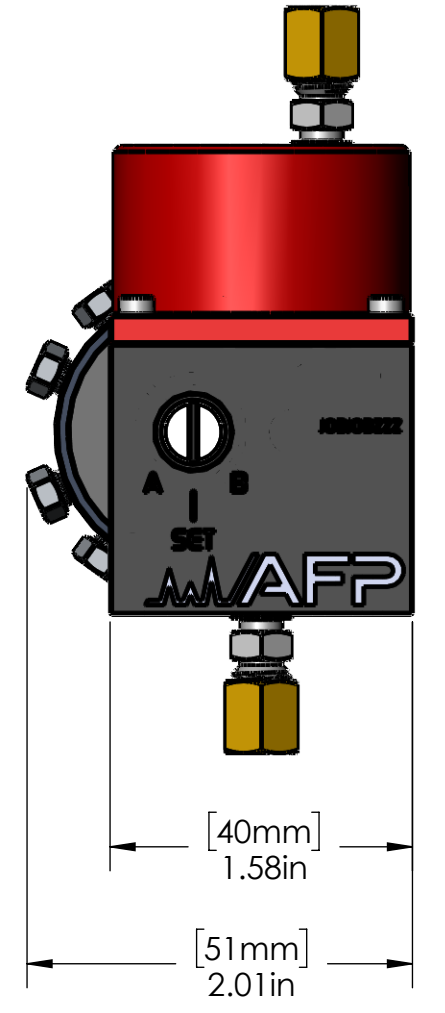
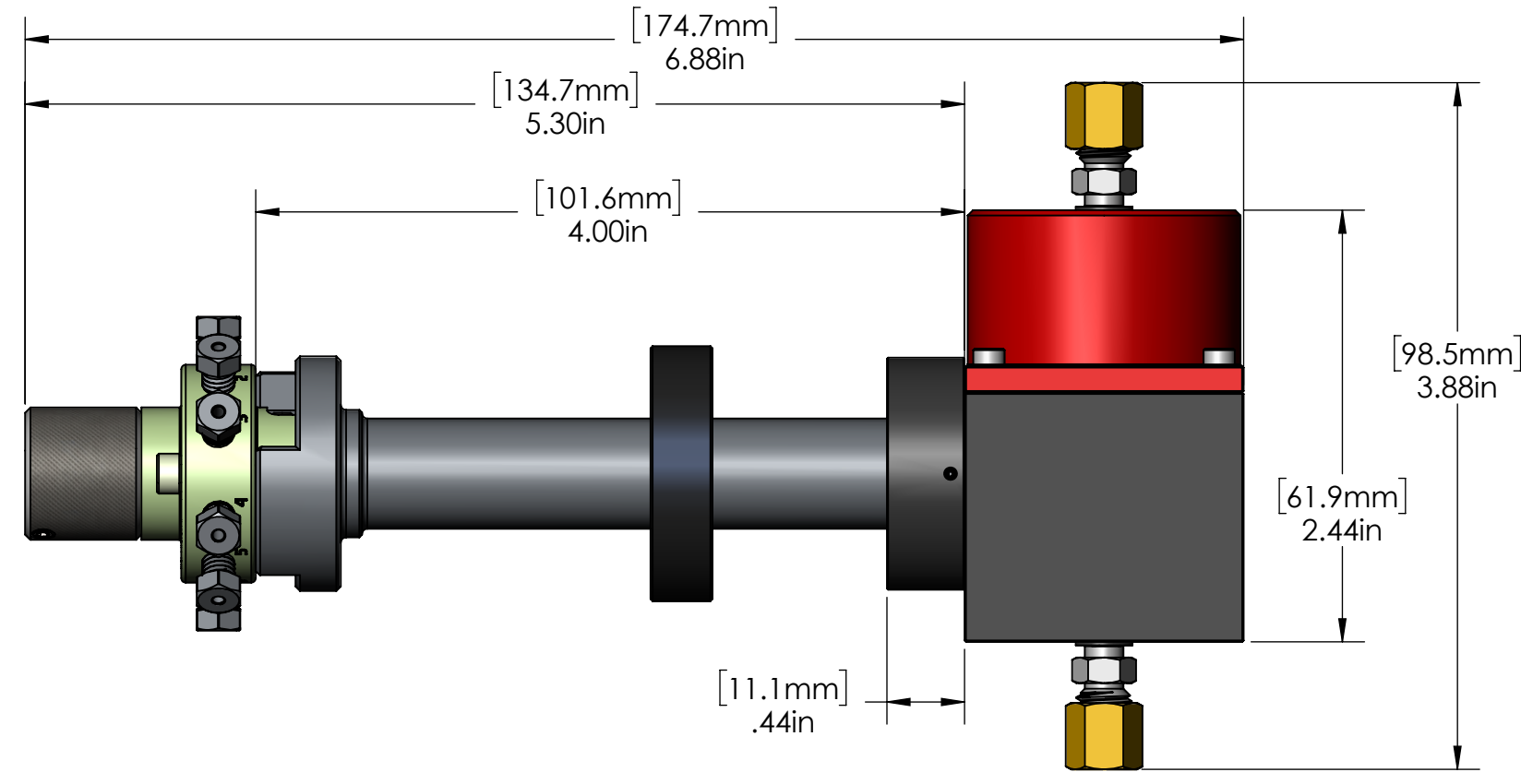



DATE	SYM	REVISION RECORD	ECO	DWN	ENG	MFG
2022-10-25	00	INITIAL RELEASE	0094	JS	JS	CB



SPECIFICATIONS:

PRODUCT P/N	MRV10-16R2-0006-4P
VALVE P/N	MRV10-16R2-0006
VALVE TYPE	HIGH PERFORMANCE GRADE, MEDIUM TEMPERATURE
NUMBER OF PORTS	10
PORT SIZE	0.025" [0.64 mm]
PORT CONNECTION	1/16" [1.6 mm]
MAX. WORKING PRESSURE	400 psig [2930 kPa]
MAX. INITIAL LEAK RATE	8.5E-10 Atm-cc/s He
MAX. INITIAL PRESSURE DROP	2 kPa @ 75 scfm N ₂ , max. 1 kPa between any sections
STAND-OFF LENGTH	4" [101.6 mm]
ACTUATOR PRESSURE INLET	40 psig [275 kPa] min., 80 psig [550 kPa] max.
VALVE MAX. WORKING TEMPERATURE	437°F [225°C]
ACTUATOR MAX. WORKING TEMP.	257°F [125°C]
MATERIAL	NITRONIC 60 VALVE STATOR DURSAN R2 ROTOR TYPE (MODIFIED PEEK)

MATERIAL:	FINISH:	2659, boul. du Parc Technologique, Quebec, CANADA G1P 4S5			
		 Tel.: 418-338-0004 Fax: 418-338-2500 Email: info@afproducts.ca Web: www.afproducts.ca			
DESCRIPTION:		MRV10 Dursan MPA 4" ASSEMBLY			
UNIT	SIZE	DWG. NO.	REV.		
IN	C	MRV10-16R2-0006-4P	00		
SCALE	1:	SHEET	1	OF	2

PROPRIETARY INFORMATION
 THIS DRAWING IS THE PROPERTY OF APN-AFP INC.
 IT IS RETURNABLE UPON REQUEST AND MUST NOT BE REPRODUCED
 OR THE INFORMATION CONTAINED HEREIN TRANSMITTED TO ANY
 UNAUTHORIZED PERSON OR ORGANIZATION WITHOUT THE
 WRITTEN CONSENT OF APN-AFP INC.