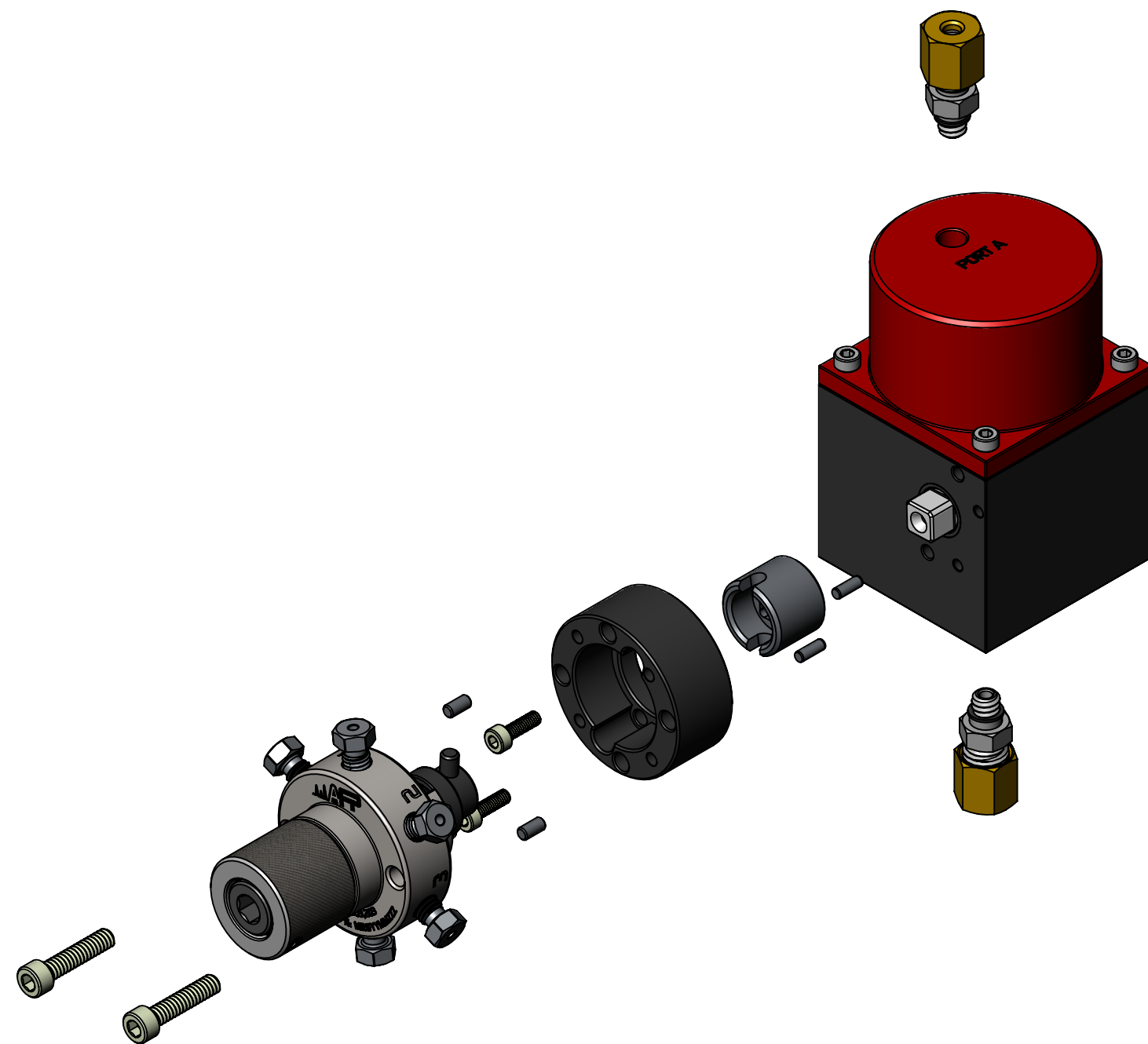
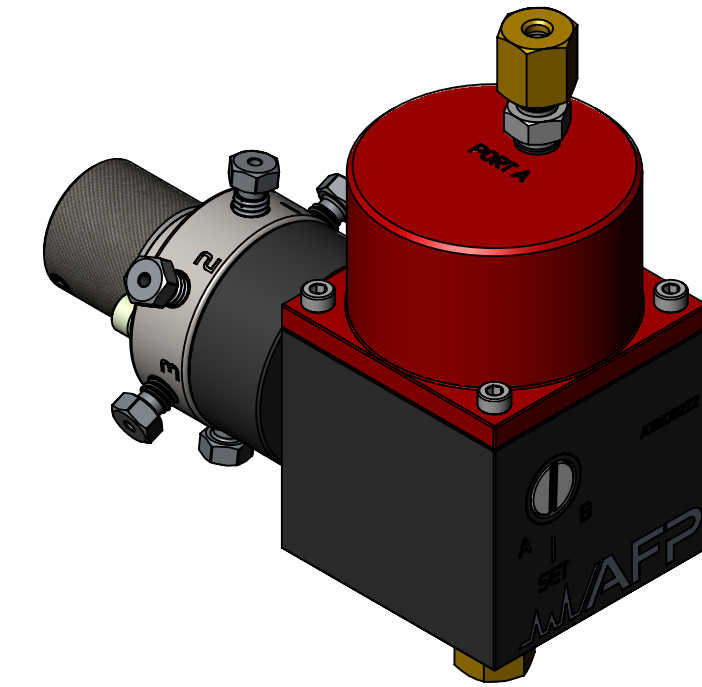
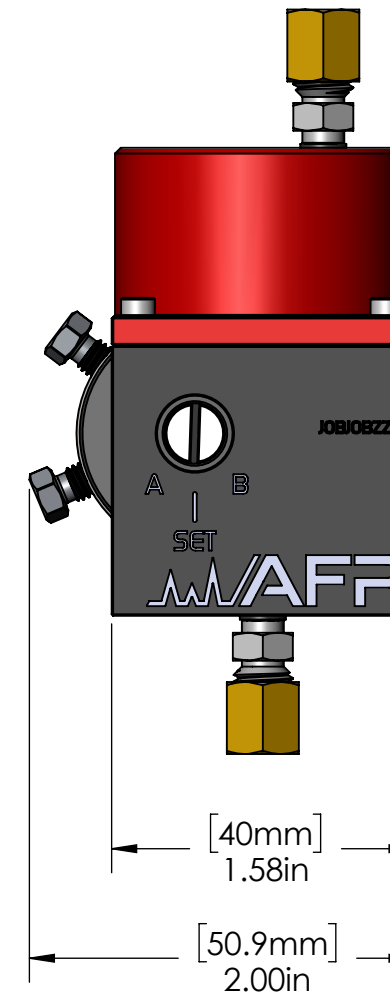
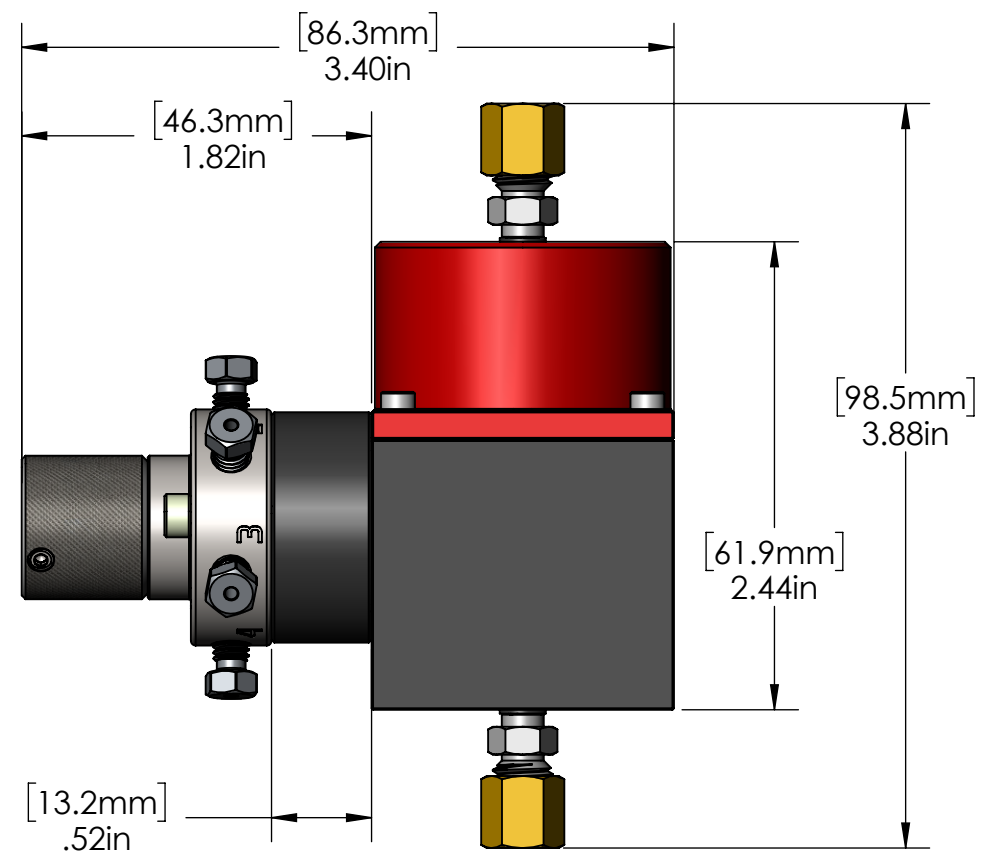




DATE	SYM	REVISION RECORD	ECO	DWN	ENG	MFG
2019-12-10	00	INITIAL RELEASE	0094	JS	EB	SL



SPECIFICATIONS:

PRODUCT P/N	MRV06-16R2-0007-CP
VALVE P/N	MRV06-16R2-0007
VALVE TYPE	HIGH PERFORMANCE GRADE, MEDIUM TEMPERATURE
NUMBER OF PORTS	6
PORT SIZE	0.025" [0.64 mm]
PORT CONNECTION	1/16" [1.6 mm]
MAX. WORKING PRESSURE	400 psig [2930 kPa]
MAX. INITIAL LEAK RATE	8.5E-10 Atm-cc/s He
MAX. INITIAL PRESSURE DROP	2 kPa @ 75 sccm N ₂ , 1 kPa between any section
STAND-OFF LENGTH	CLOSE MOUNT
ACTUATOR PRESSURE INLET	40 psig [275 kPa] min., 80 psig [550 kPa] max.
VALVE MAX. WORKING TEMPERATURE	437°F [225°C]
ACTUATOR MAX. WORKING TEMP.	257°F [125°C]
MATERIAL	NITRONIC 60 VALVE STATOR R2 ROTOR TYPE (MODIFIED PEEK)

MATERIAL:	2659, boul. du Parc Technologique, Quebec, Quebec, CANADA G 1P 4S5			
	 Tel.: 418-338-0004 Fax: 418-338-2500 Email: info@afproducts.ca Web: www.afproducts.ca			
FINISH:	DESCRIPTION: MRV6 MPA CLOSEMOUNT ASSEMBLY			
 ACCORDANCE WITH LATEST ASME Y14.5	UNIT IN	SIZE C	DWG. NO. MRV06-16R2-0007-CP	REV. 00
SCALE 1:		SHEET 1 OF 2		

PROPRIETARY INFORMATION
THIS DRAWING IS THE PROPERTY OF APN-AFP INC.
IT IS RETURNABLE UPON REQUEST AND MUST NOT BE REPRODUCED
OR THE INFORMATION CONTAINED HEREIN TRANSMITTED TO ANY
UNAUTHORIZED PERSON OR ORGANIZATION WITHOUT THE
WRITTEN CONSENT OF APN-AFP INC.