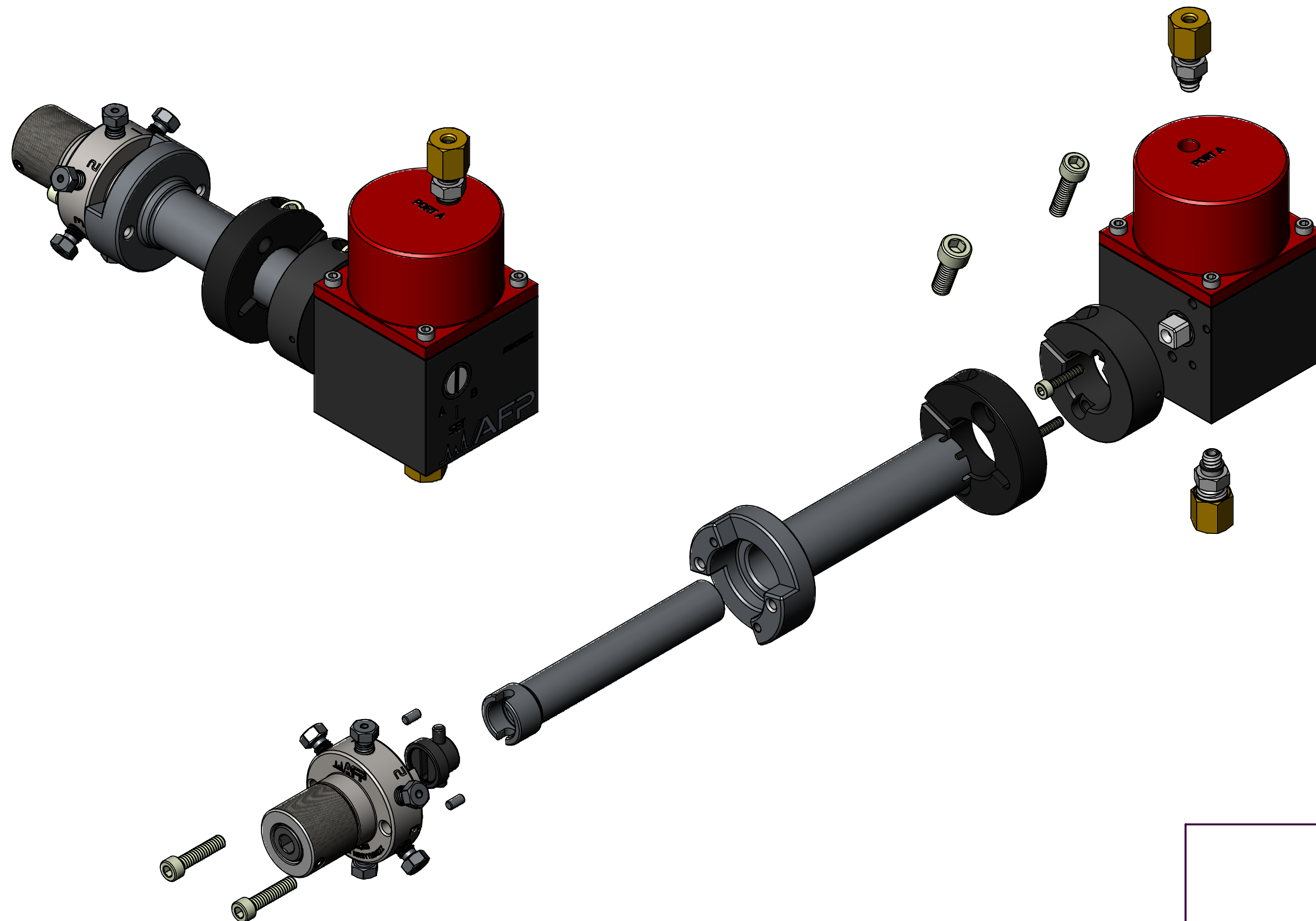
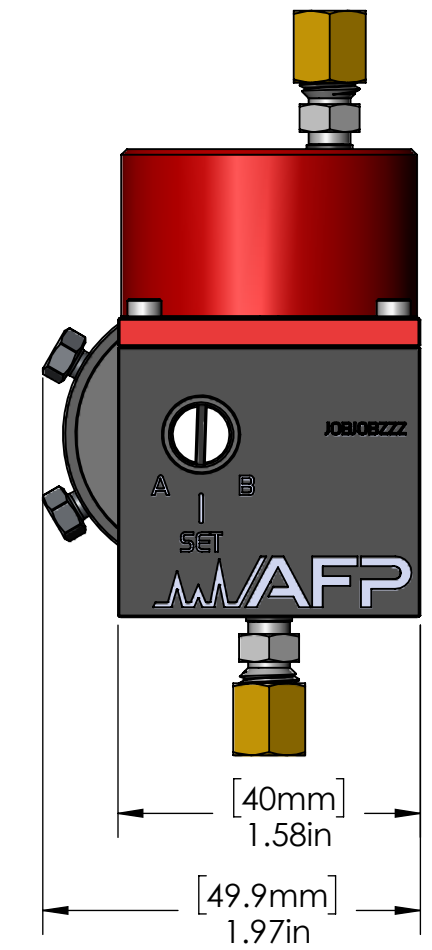
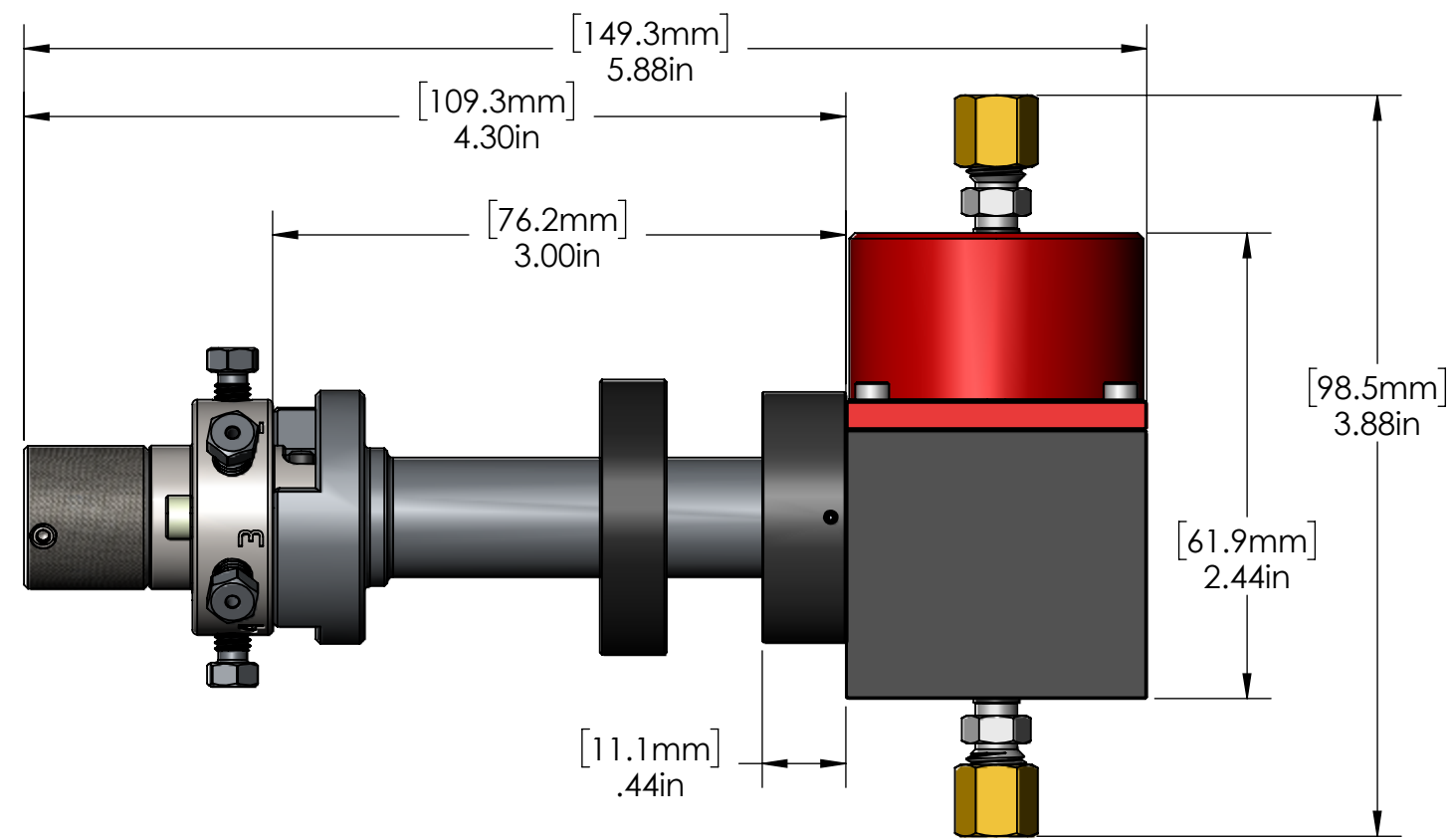




DATE	SYM	REVISION RECORD	ECO	DWN	ENG	MFG
2019-07-22	00	INITIAL RELEASE	0172	JS	EB	SL



SPECIFICATIONS:

PRODUCT P/N	MRV06-16R2-0007-3P
VALVE P/N	MRV06-16R2-0007
VALVE TYPE	HIGH PERFORMANCE GRADE, MEDIUM TEMPERATURE
NUMBER OF PORTS	6
PORT SIZE	0.025" [0.64 mm]
PORT CONNECTION	1/16" [1.6 mm]
MAX. WORKING PRESSURE	400 psig [2930 kPa]
MAX. INITIAL LEAK RATE	8.5E-10 Atm-cc/s He
MAX. INITIAL PRESSURE DROP	2 kPa @ 75 sccm N ₂ , max. 1 kPa between any sections
STAND-OFF LENGTH	3" [76.2 mm]
ACTUATOR PRESSURE INLET	40 psig [275 kPa] min., 80 psig [550 kPa] max.
VALVE MAX. WORKING TEMPERATURE	437°F [225°C]
ACTUATOR MAX. WORKING TEMP.	257°F [125°C]
MATERIAL	NITRONIC 60 VALVE STATOR R2 ROTOR TYPE (MODIFIED PEEK)

MATERIAL:	2659, boul. du Parc Technologique, Quebec, CANADA G1P 4S5				
	 Tel.: 418-338-0004 Fax: 418-338-2500 Email: info@afproducts.ca Web: www.afproducts.ca				
FINISH:	MS-1021	DESCRIPTION:	MRV6 MPA 3" ASSEMBLY		
 ACCORDANCE WITH LATEST ASME Y14.5		UNIT	SIZE	DWG. NO.	REV.
<small>PROPRIETARY INFORMATION THIS DRAWING IS THE PROPERTY OF APN-AFP INC. IT IS RETURNABLE UPON REQUEST AND MUST NOT BE REPRODUCED OR THE INFORMATION CONTAINED HEREIN TRANSMITTED TO ANY UNAUTHORIZED PERSON OR ORGANIZATION WITHOUT THE WRITTEN CONSENT OF APN-AFP INC.</small>		IN	C	MRV06-16R2-0007-3P	00
SCALE		1	SHEET	1	OF 2