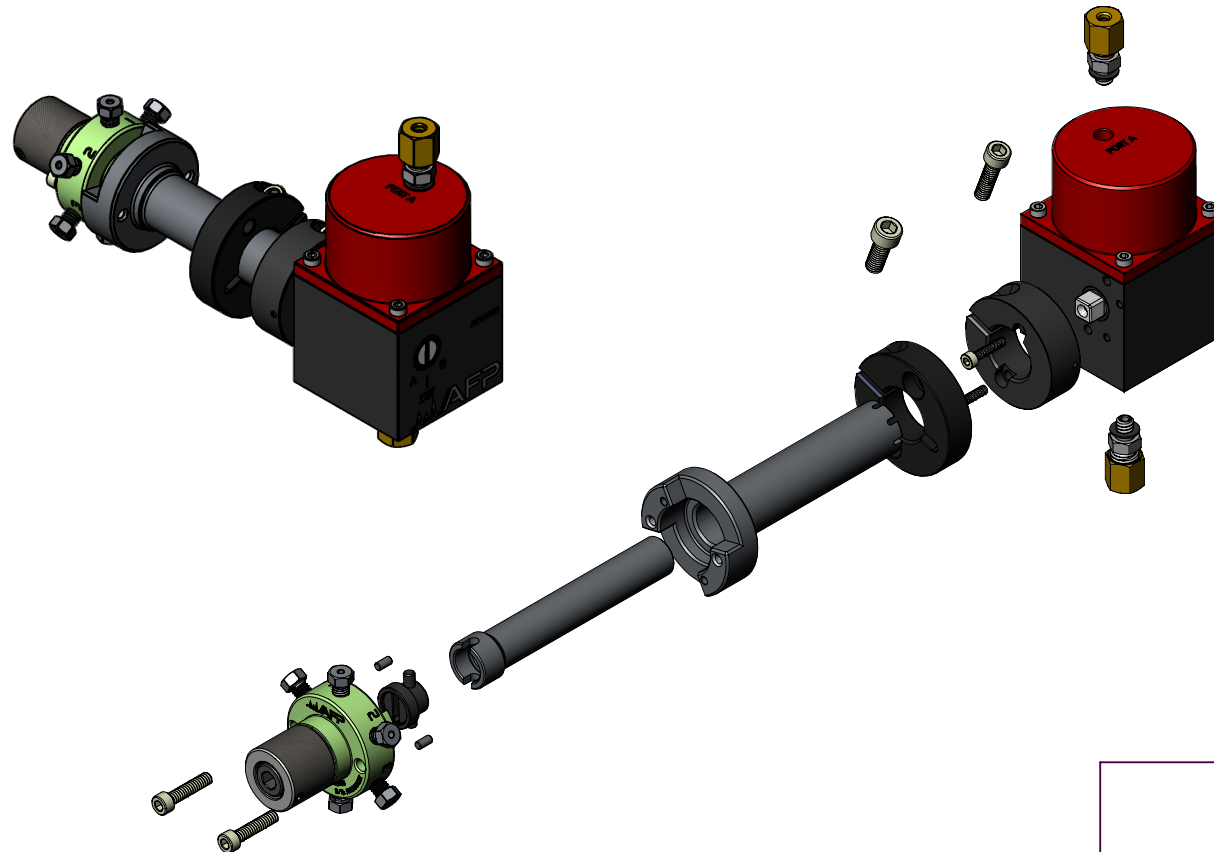
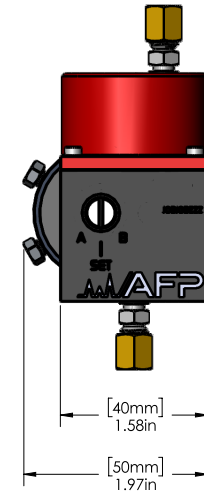
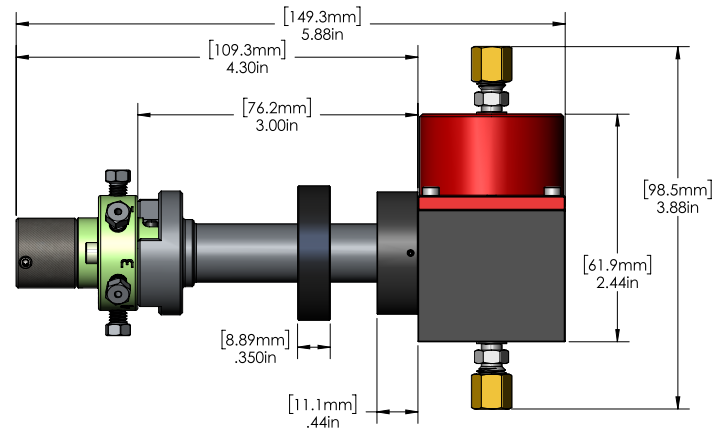


| DATE       | SYM | REVISION RECORD | ECO  | DWN | ENG | MFG |
|------------|-----|-----------------|------|-----|-----|-----|
| 17-06-2022 | 00  | INITIAL RELEASE | 0094 | JS  | EB  | SL  |



**SPECIFICATIONS:**

|                                |   |
|--------------------------------|---|
| PRODUCT P/N                    | MRV06-16R2-0006-3P  |
| VALVE P/N                      | MRV06-16R2-0006   |
| VALVE TYPE                     | HIGH PERFORMANCE GRADE, MEDIUM TEMPERATURE                              |
| NUMBER OF PORTS                | 6   |
| PORT SIZE                      | 0.025" [0,64 mm]  |
| PORT CONNECTION                | 1/16" [1,6 mm]  |
| MAX. WORKING PRESSURE          | 400 psig [2930 kPa]   |
| MAX. INITIAL LEAK RATE         | 8.5E-10 Atm-cc/s He   |
| MAX. INITIAL PRESSURE DROP     | 2 kPa @ 75 sccm N <sub>2</sub> ; max. 1 kPa between any sections        |
| STAND-OFF LENGTH               | 3" [76.2 mm]  |
| ACTUATOR PRESSURE INLET        | 40 psig [275 kPa] min., 80 psig [550 kPa] max.                          |
| VALVE MAX. WORKING TEMPERATURE | 437°F [225°C]   |
| ACTUATOR MAX. WORKING TEMP.    | 257°F [125°C]   |
| MATERIAL                       | NITRONIC 60 VALVE STATOR DURSAN COATED<br>R2 ROTOR TYPE (MODIFIED PEEK) |

|              |   |
|--------------|---|
| MATERIAL:    | 2659, boul. du Parc Technologique,<br>Québec<br>Québec, CANADA<br>G 1P 4S5  |
| FINISH:      |  AFP<br>Tel: 418-338-0004<br>Email: info@afpproducts.ca<br>Web: www.afpproducts.ca |
| DESCRIPTION: | MRV6 MPA 3" ASSEMBLY  |

|   |  |  |  |      |              |                    |      |
|---|--|--|--|------|--------------|--------------------|------|
| <small>PROPRIETARY INFORMATION<br/>THIS DRAWING IS THE PROPERTY OF APN-AFP INC.<br/>IT IS RETURNABLE UPON REQUEST AND MUST NOT BE REPRODUCED<br/>OR THE INFORMATION CONTAINED HEREIN TRANSMITTED TO ANY<br/>UNAUTHORIZED PERSON OR ORGANIZATION WITHOUT THE<br/>WRITTEN CONSENT OF APN-AFP INC.</small> |  |  |  | UNIT | SIZE         | DWG. NO.           | REV. |
|   |  |  |  | IN   | C            | MRV06-16R2-0006-3P | 00   |
| SCALE   |  |  |  | 1 :  | SHEET 1 OF 2 |                    |      |