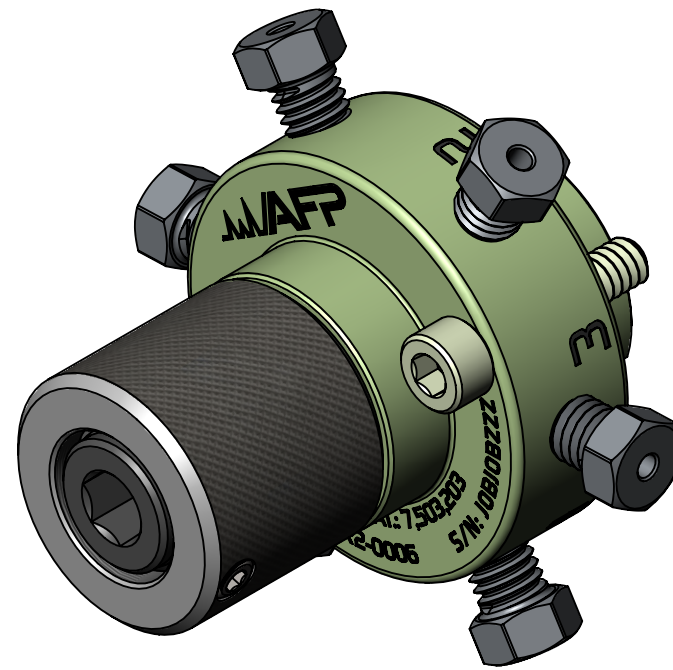
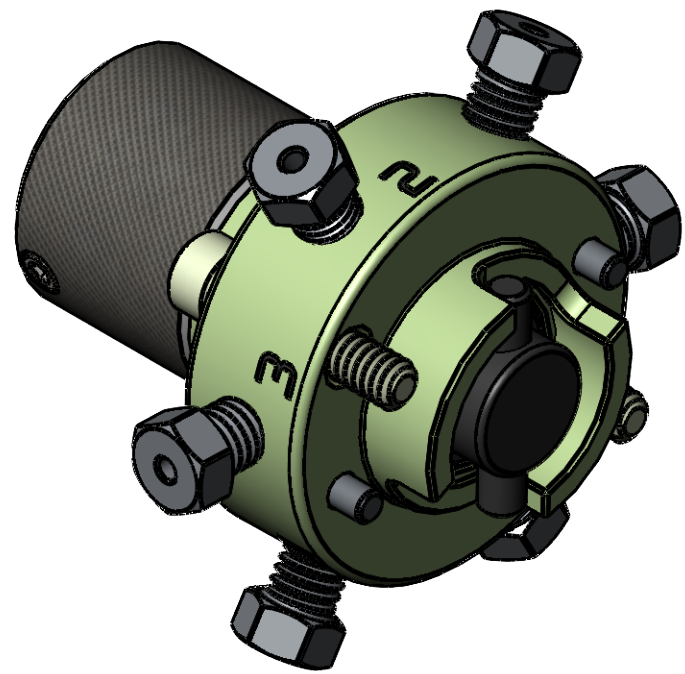
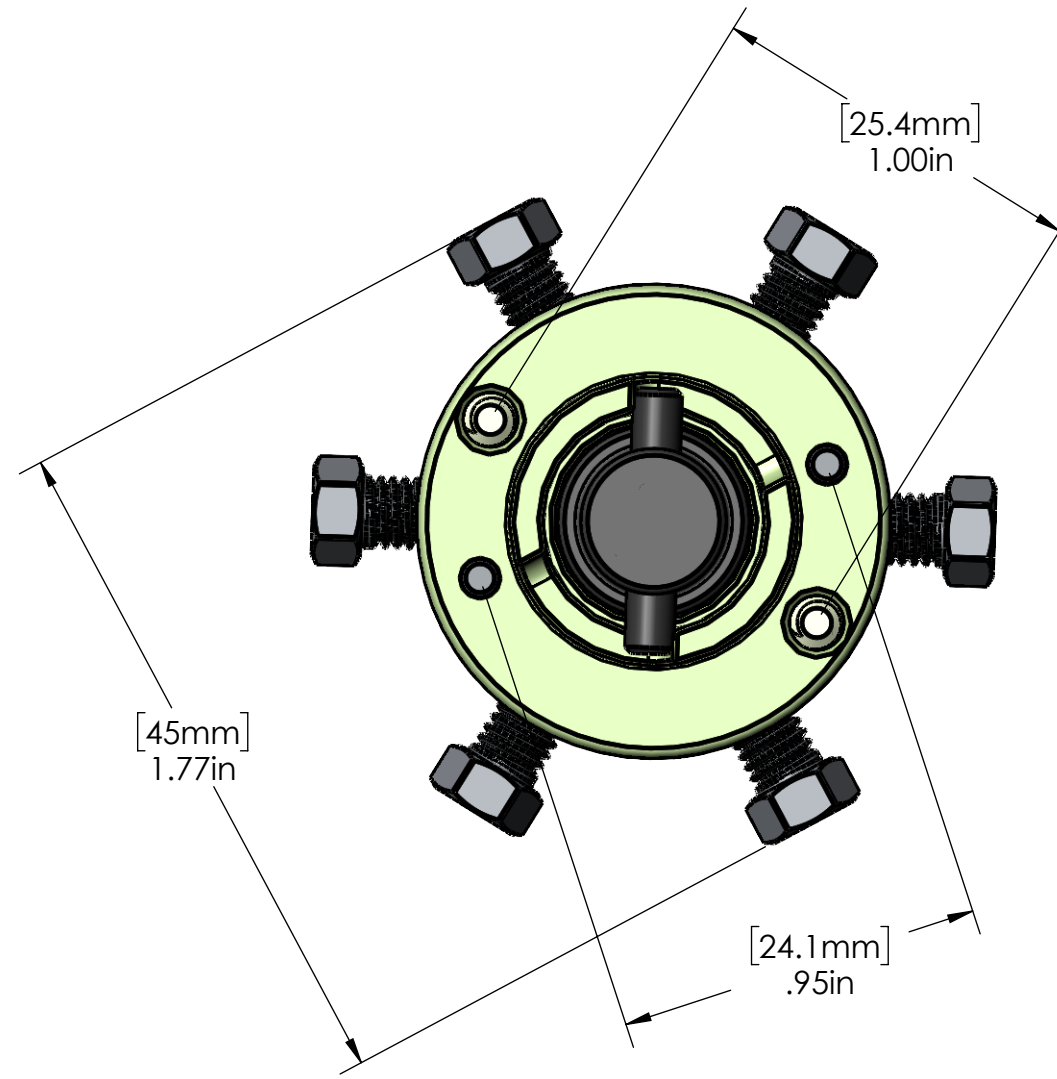
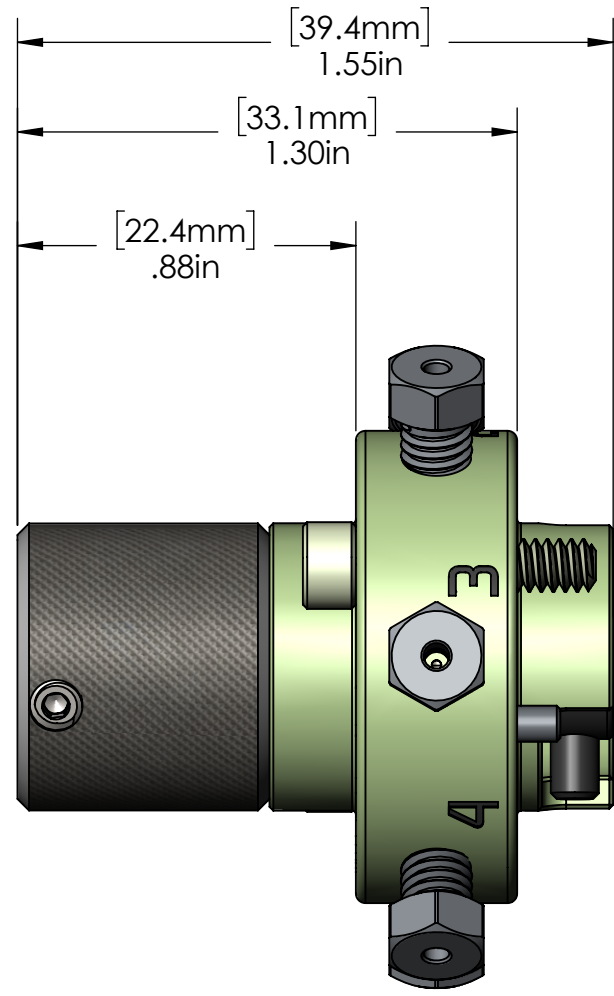


DATE	SYM	REVISION RECORD	ECO	DWN	ENG	MFG
2019-08-07	00	INITIAL RELEASE	0094	JS	EB	SL



**SPECIFICATIONS:**

PRODUCT P/N	MRV06-16R2-0006-00
VALVE P/N	MRV06-16R2-0006
VALVE TYPE	HIGH PERFORMANCE GRADE, MEDIUM TEMPERATURE
NUMBER OF PORTS	6
PORT SIZE	0.025" [0.64 mm]
PORT CONNECTION	1/16" [1.6 mm]
MAX. WORKING PRESSURE	400 psig [2930 kPa]
MAX. INITIAL LEAK RATE	8.5E-10 Atm-cc/s He
MAX. INITIAL PRESSURE DROP	2 kPa @ 75 sccm N <sub>2</sub> , max. 1 kPa between any sections
VALVE MAX. WORKING TEMPERATURE	437°F [225°C]
MATERIAL	NITRONIC 60 VALVE STATOR - DURSAN COATED R2 ROTOR TYPE (MODIFIED PEEK)

The coating present on the valve creates a protective barrier of amorphous silicon, oxygen and carbon that is further functionalized to improve corrosion and durability, chemical inertness, anti-fouling properties.

This coating is suitable for petrochemical/refinery analysis, corrosive environments, chemical processing and semiconductor applications.

MATERIAL:  FINISH:			2659, boul. du Parc Technologique, Québec, Québec, CANADA G1P 4S5 Tel.: 418-338-0004 Fax: 418-338-2500 Email: info@afproducts.ca Web: www.afproducts.ca		
	DESCRIPTION: REPLACEMENT MRV6-R2 DURSAN ASSEMBLY				
ACCORDANCE WITH LATEST ASME Y14.5		UNIT <b>IN</b>	SIZE <b>C</b>	DWG. NO. MRV06-16R2-0006-00	REV. 00
PROPRIETARY INFORMATION THIS DRAWING IS THE PROPERTY OF APN-AFP INC. IT IS RETURNABLE UPON REQUEST AND MUST NOT BE REPRODUCED OR THE INFORMATION CONTAINED HEREIN TRANSMITTED TO ANY UNAUTHORIZED PERSON OR ORGANIZATION WITHOUT THE WRITTEN CONSENT OF APN-AFP INC.		SCALE 2:	SHEET 1 OF 2		