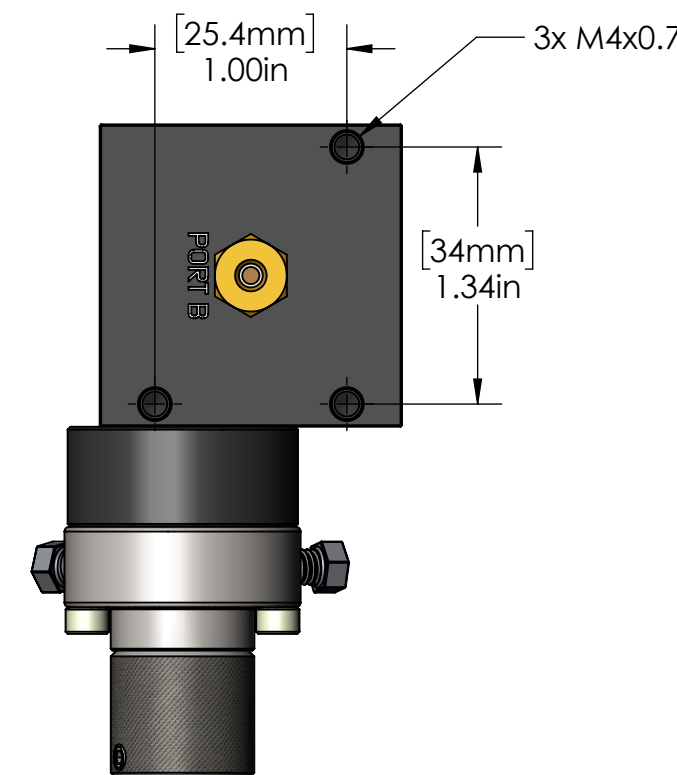
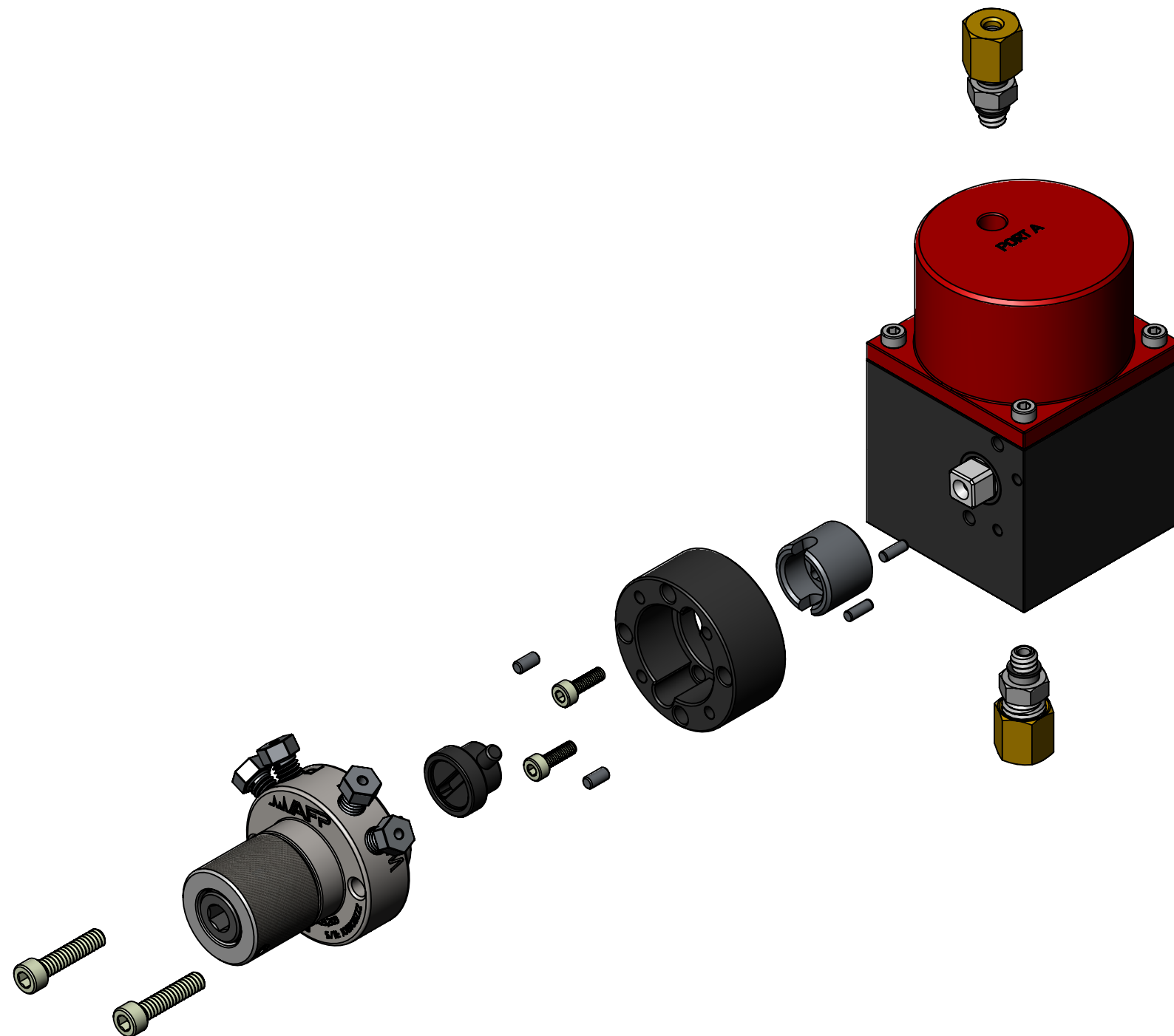
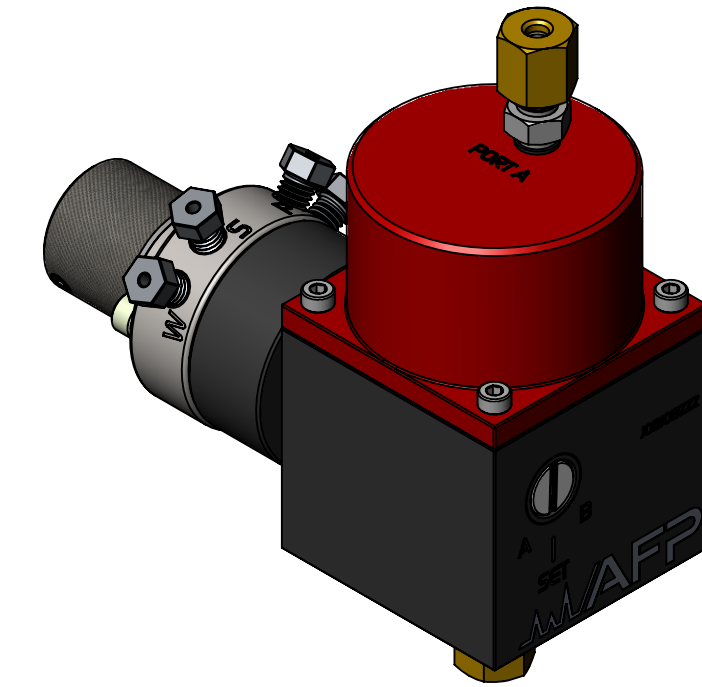
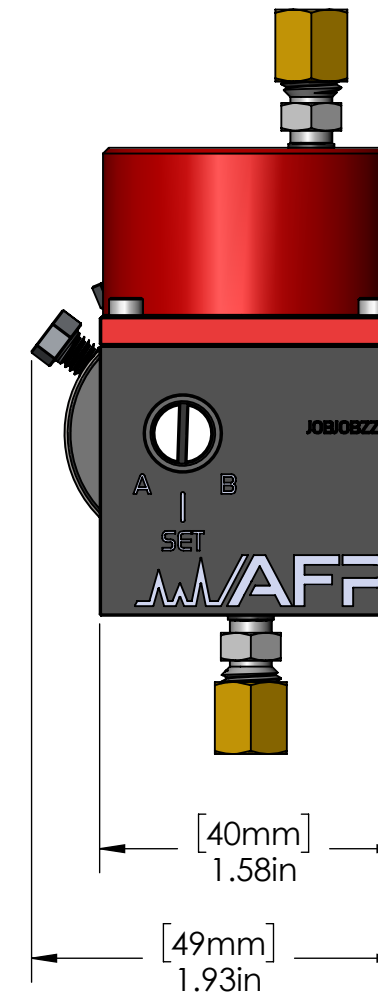
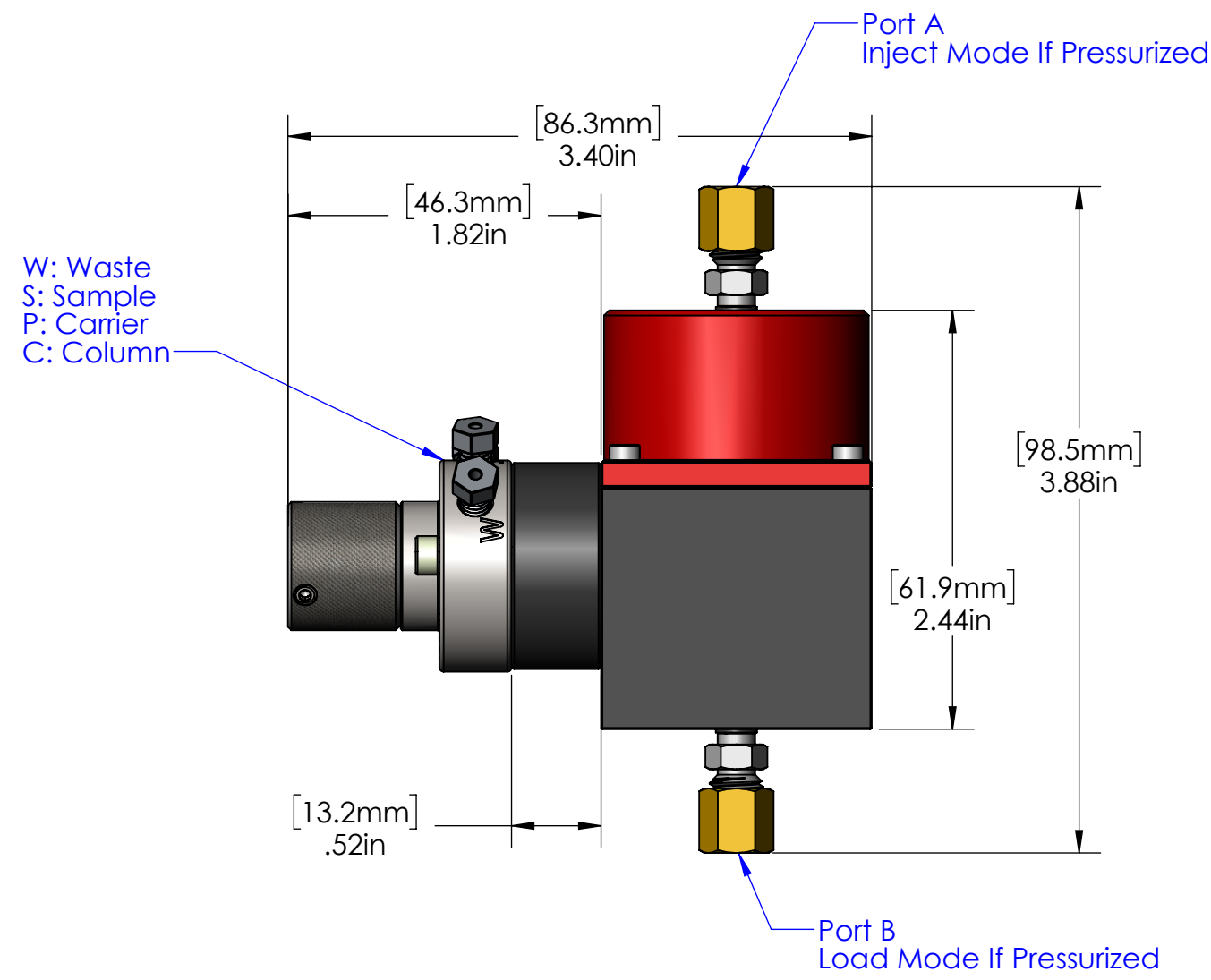



DATE	SYM	REVISION RECORD	ECO	DWN	ENG	MFG
2020-01-20	00	INITIAL RELEASE	0174	JS	EB	SL



SPECIFICATIONS:

PRODUCT P/N	MRV04-16R2-0019-CP
VALVE P/N	MRV04-16R2-0019
VALVE TYPE	HIGH PERFORMANCE GRADE, MEDIUM TEMPERATURE
NUMBER OF PORTS	4
PORT SIZE	0.025" [0.64 mm]
PORT CONNECTION	1/16" [1.6 mm]
INTERNAL SAMPLING LOOP SIZE	0.5µL
MAX. WORKING PRESSURE	1000psi [6 895 kPa]
MAX. INITIAL LEAK RATE	1.6E-10 Atm-cc/s He
MAX. INITIAL PRESSURE DROP	2 kPa @ 75 sccm N ₂ , 1 kPa between any section
STAND-OFF LENGTH	CLOSEMOUNT
ACTUATOR PRESSURE INLET	40 psig [275 kPa] min., 80 psig [550 kPa] max.
VALVE MAX. WORKING TEMPERATURE	437°F [225°C]
ACTUATOR MAX. WORKING TEMP.	257°F [125°C]
MATERIAL	NITRONIC 60 VALVE STATOR R2 ROTOR TYPE (MODIFIED PEEK)

MATERIAL:		 <p>2659, boul. du Parc Technologique, Quebec, CANADA G 1P 4S5 Tel.: 418-338-0004 Fax: 418-338-2500 Email: info@afproducts.ca Web: www.afproducts.ca</p>		
FINISH:	MS-1021			
DESCRIPTION:	Closemount MPA 0.5µL 1000psi			
ACCORDANCE WITH LATEST ASME Y14.5	UNIT	SIZE	DWG. NO.	REV.
PROPRIETARY INFORMATION THIS DRAWING IS THE PROPERTY OF APN-AFP INC. IT IS RETURNABLE UPON REQUEST AND MUST NOT BE REPRODUCED OR THE INFORMATION CONTAINED HEREIN TRANSMITTED TO ANY UNAUTHORIZED PERSON OR ORGANIZATION WITHOUT THE WRITTEN CONSENT OF APN-AFP INC.	IN	C	MRV04-16R2-0019-CP	00
	SCALE	1:	SHEET 1 OF 2	