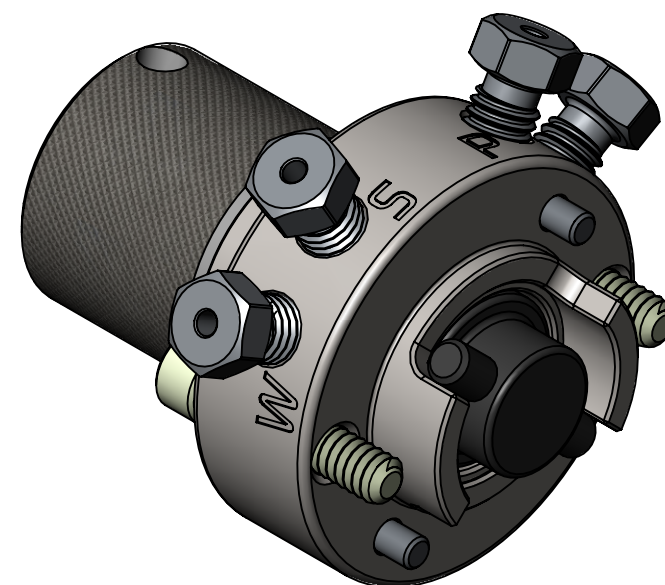
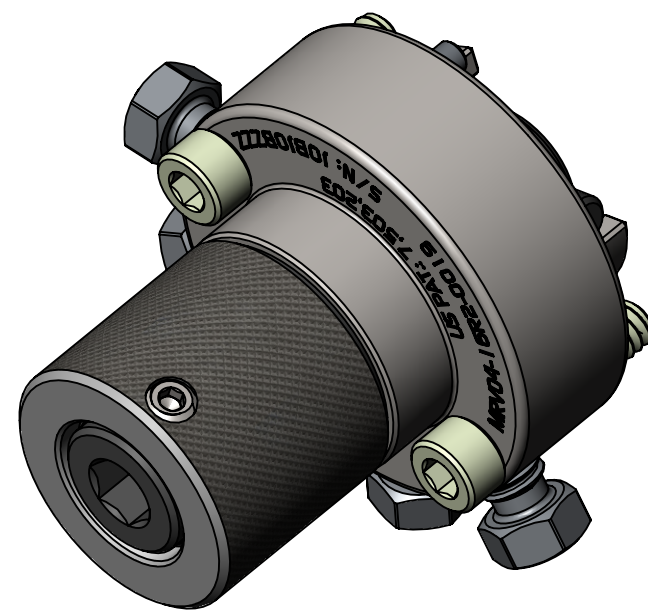
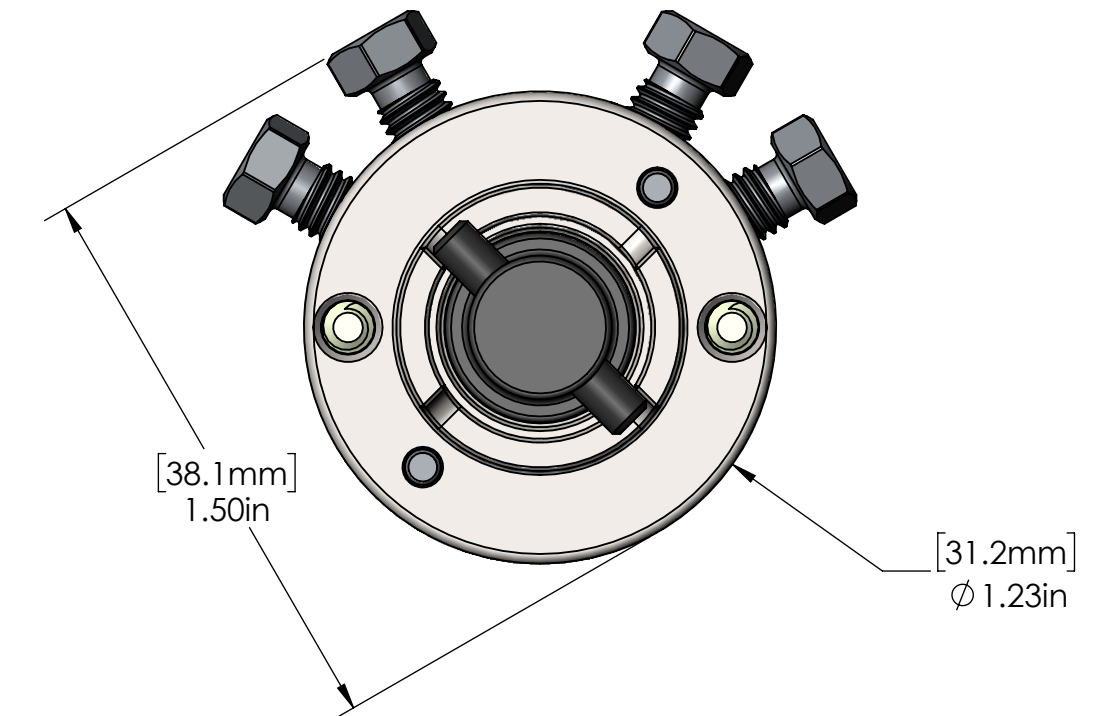
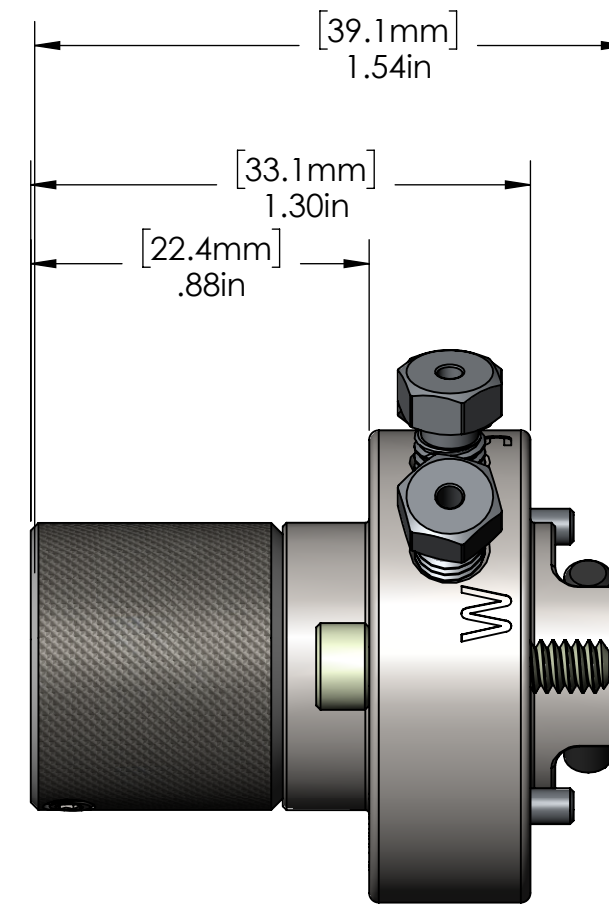
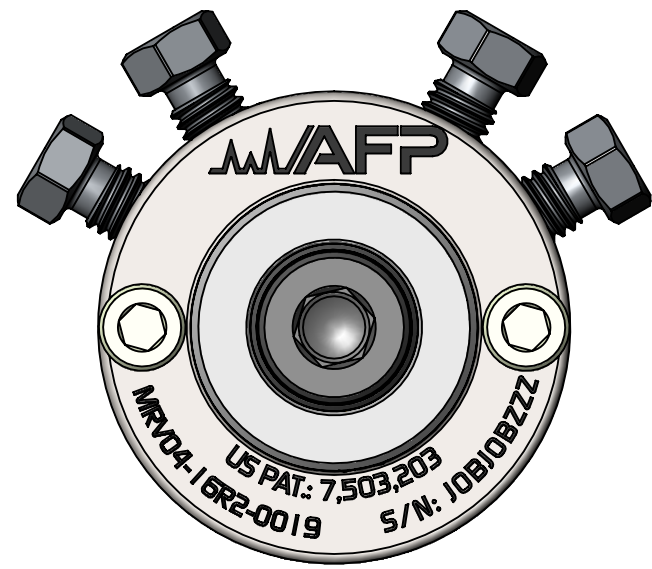


DATE	SYM	REVISION RECORD	ECO	DWN	ENG	MFG
2019-07-24	00	INITIAL RELEASE	0174	JS	EB	SL



SPECIFICATIONS:

PRODUCT P/N	MRV04-16R2-0019-00
VALVE P/N	MRV04-16R2-0019
VALVE TYPE	HIGH PERFORMANCE GRADE, MEDIUM TEMPERATURE
NUMBER OF PORTS	4
PORT SIZE	0.025" [0.64 mm]
PORT CONNECTION	1/16" [1.6 mm]
INTERNAL SAMPLING LOOP SIZE	0.5µL
MAX. WORKING PRESSURE	1000 psi [6 895 kPa]
MAX. INITIAL LEAK RATE	1.6E-10 Atm-cc/s He
MAX. INITIAL PRESSURE DROP	2 kPa @ 75 sccm N ₂ , max. 1 kPa between any sections
VALVE MAX. WORKING TEMPERATURE	437°F [225°C]
MATERIAL	NITRONIC 60 VALVE STATOR R2 ROTOR TYPE (MODIFIED PEEK)

MATERIAL: FINISH: MS-1021	2659, boul. du Parc Technologique, Québec, Québec, CANADA G1P 4S5 Tel.: 418-338-0004 Fax: 418-338-2500 Email: info@afproducts.ca Web: www.afproducts.ca			
	DESCRIPTION: REPLACEMENT MRV4-R2-ISL 0.5µL ASSEMBLY			
PROPRIETARY INFORMATION THIS DRAWING IS THE PROPERTY OF APN-AFP INC. IT IS RETURNABLE UPON REQUEST AND MUST NOT BE REPRODUCED OR THE INFORMATION CONTAINED HEREIN TRANSMITTED TO ANY UNAUTHORIZED PERSON OR ORGANIZATION WITHOUT THE WRITTEN CONSENT OF APN-AFP INC.	UNIT IN	SIZE C	DWG. NO. MRV04-16R2-0019-00	REV. 00
SCALE 2:1		SHEET 1 OF 2		