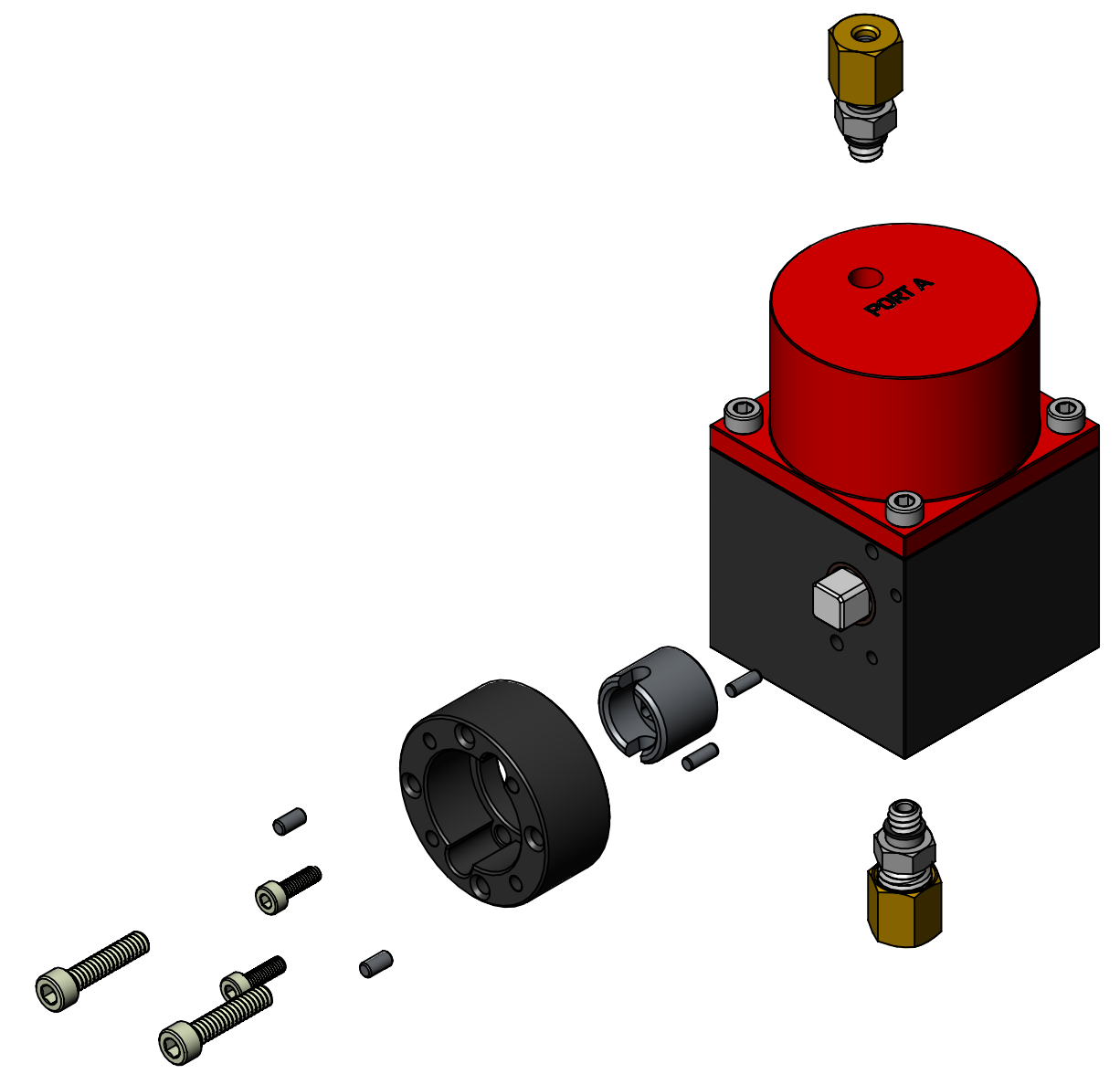
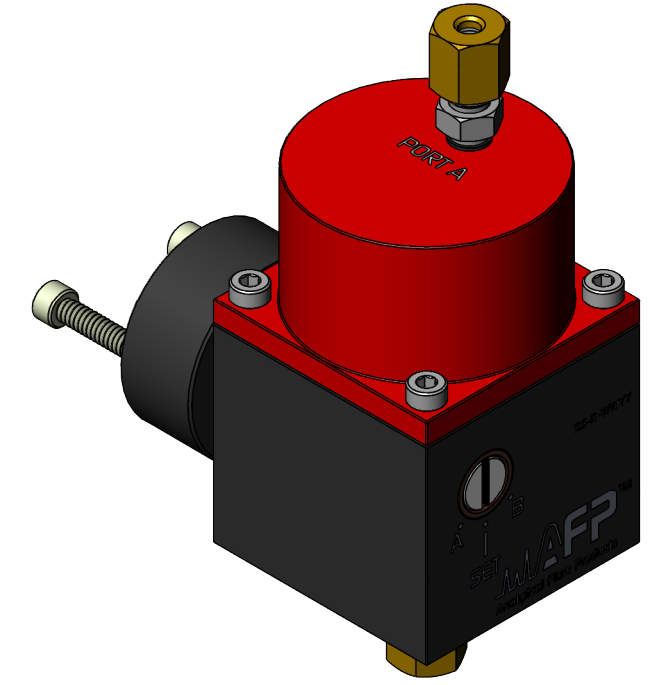
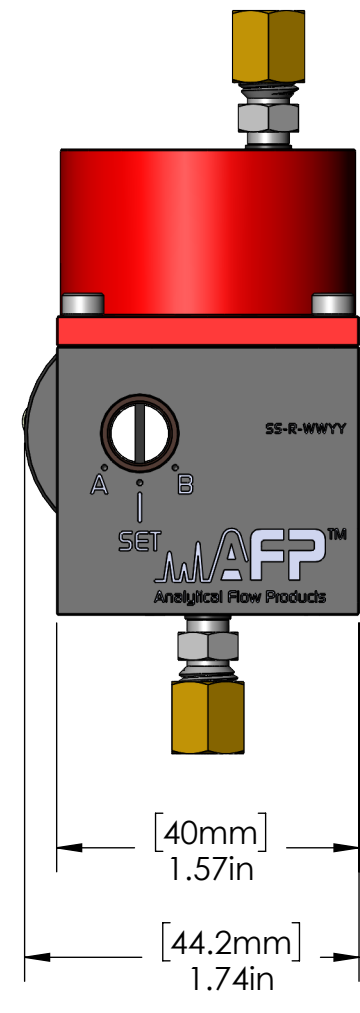
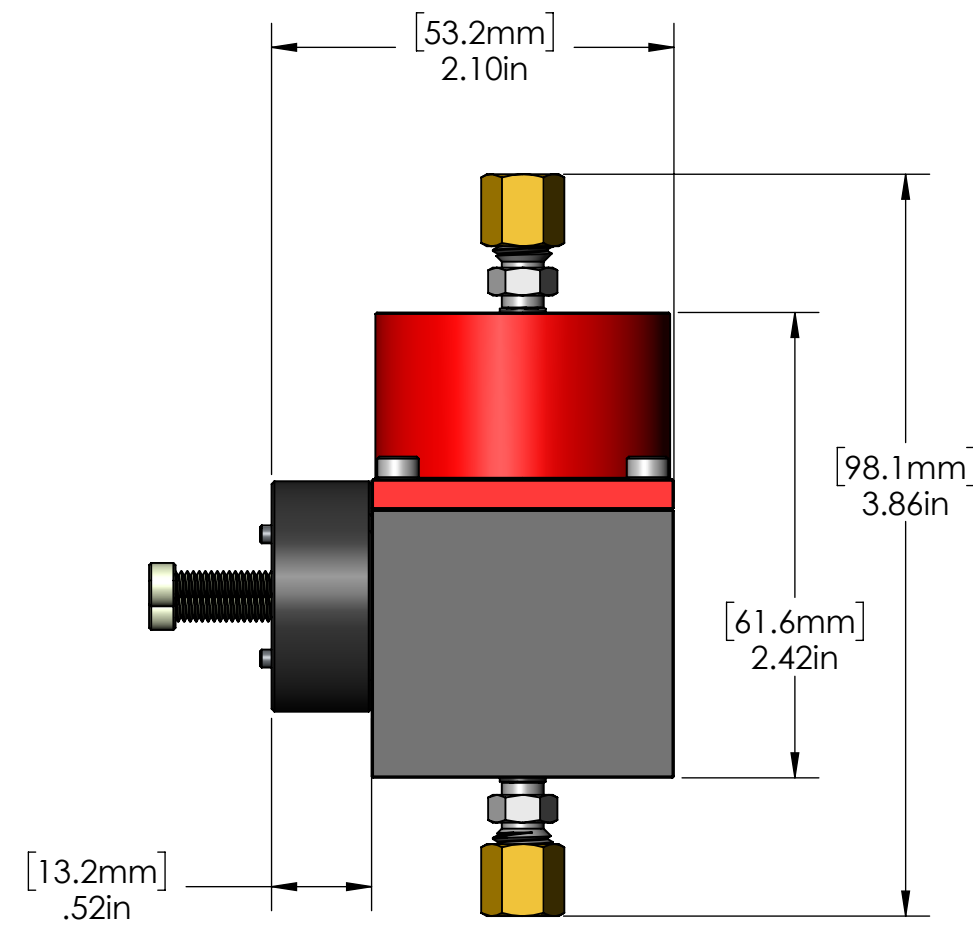



DATE	SYM	REVISION RECORD	ECO	DWN	ENG	MFG
2018-01-22	00	INITIAL RELEASE	0094	AC	AC	SL



**SPECIFICATIONS:**

PRODUCT P/N .....MPA-C  
 PRODUCT TYPE .....DOUBLE ACTING PNEUMATIC ACTUATOR  
 PORT CONNECTION .....1/8" [3.2 mm]  
 STAND-OFF LENGTH .....CLOSE MOUNT  
 ACTUATOR PRESSURE INLET.....40 psig [275 kPa] min., 80 psig [550 kPa] max.  
 ACTUATOR MAX. WORKING TEMP.....257°F [125°C]

MATERIAL:  FINISH: --  ACCORDANCE WITH LATEST ASME Y14.5	 Analytical Flow Products		2659, boul. du Parc Technologique Québec, CANADA G1P 4S5 Tel: 418-338-0004 Fax: 418-338-2500 Email: info@afproducts.ca Web: www.afproducts.ca	
	DESCRIPTION: <b>MPA CLOSEMOUNT ASSEMBLY</b>			
PROPRIETARY INFORMATION THIS DRAWING IS THE PROPERTY OF AFP INC. IT IS RETURNABLE UPON REQUEST AND MUST NOT BE REPRODUCED OR THE INFORMATION CONTAINED HEREIN TRANSMITTED TO ANY UNAUTHORIZED PERSON OR ORGANIZATION WITHOUT THE WRITTEN CONSENT OF AFP INC.	DRAWN DB DATE 04-15-2016 UNIT IN SCALE 1:	ENG AC SIZE C DWG. NO. MPA-C	MFG PD DATE APPROVED SHEET 1 OF 2	REV. 00