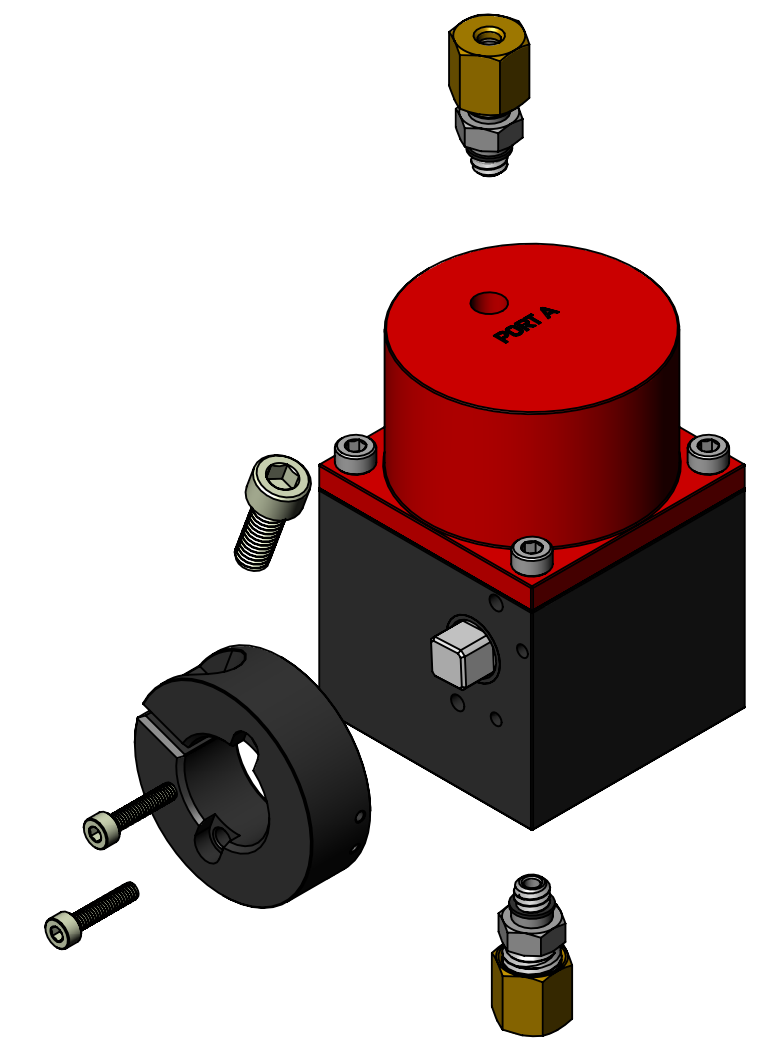
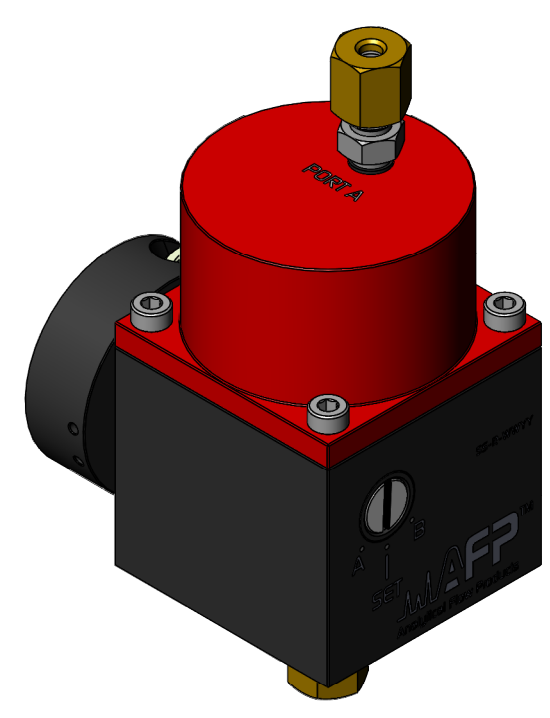
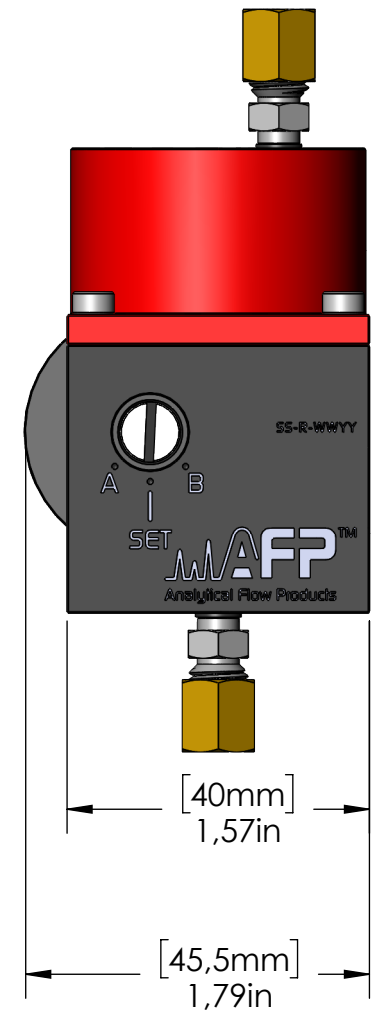
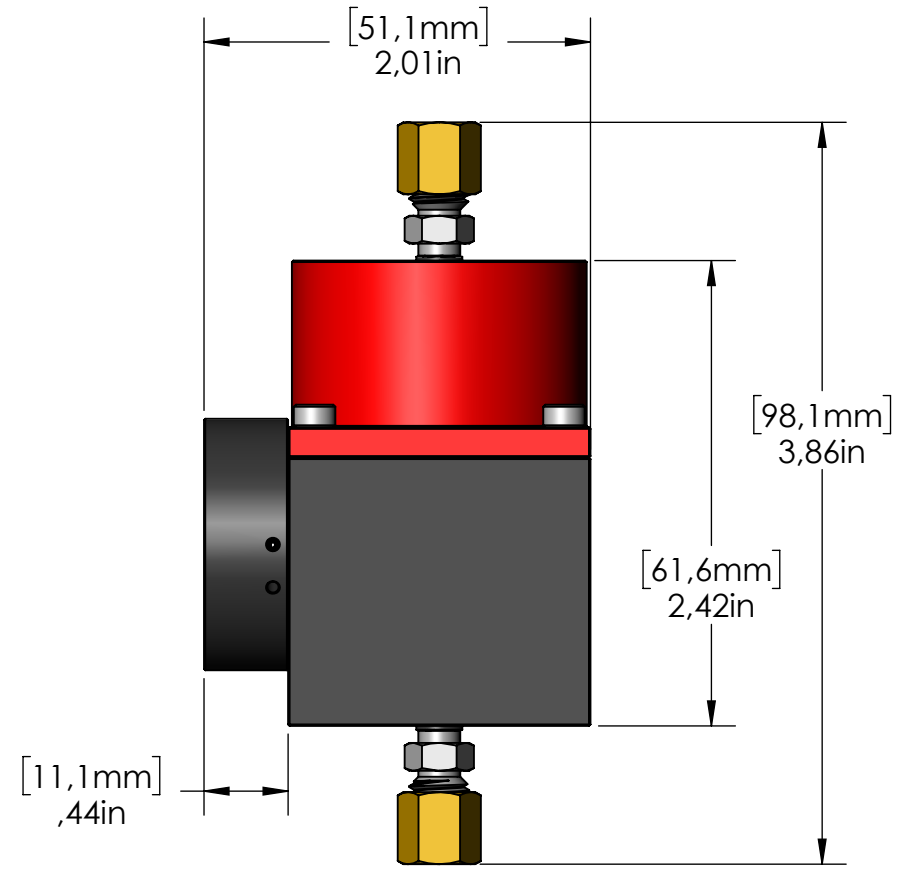


DATE	SYM	REVISION RECORD	ECO	DWN	ENG	MFG
2018-09-21	00	INITIAL RELEASE	0105	AC	AC	SL



SPECIFICATIONS:

PRODUCT P/N -----MPA-0001-00
 PORT CONNECTION ----- 1/8" [3.2 mm]
 ACTUATOR PRESSURE INLET----- 40 psig [275 kPa] min., 80 psig [550 kPa] max.
 ACTUATOR MAX. WORKING TEMP.----- 257°F [125°C]

MATERIAL: FINISH: MS-1021	2659, boul. du Parc Technologique, Québec, Québec, CANADA G1P 4S5 Tel.: 418-338-0004 Fax: 418-338-2500 Email: info@afproducts.ca Web: www.afproducts.ca			
	DESCRIPTION: MPA + STANDOFF COLLAR ASSEMBLY			
ACCORDANCE WITH LATEST ASME Y14.5	UNIT IN	SIZE C	DWG. NO. MPA-0001-00	REV. 00
PROPRIETARY INFORMATION THIS DRAWING IS THE PROPERTY OF APN-AFP INC. IT IS RETURNABLE UPON REQUEST AND MUST NOT BE REPRODUCED OR THE INFORMATION CONTAINED HEREIN TRANSMITTED TO ANY UNAUTHORIZED PERSON OR ORGANIZATION WITHOUT THE WRITTEN CONSENT OF APN-AFP INC.		SCALE 1 :	SHEET 1 OF 2	