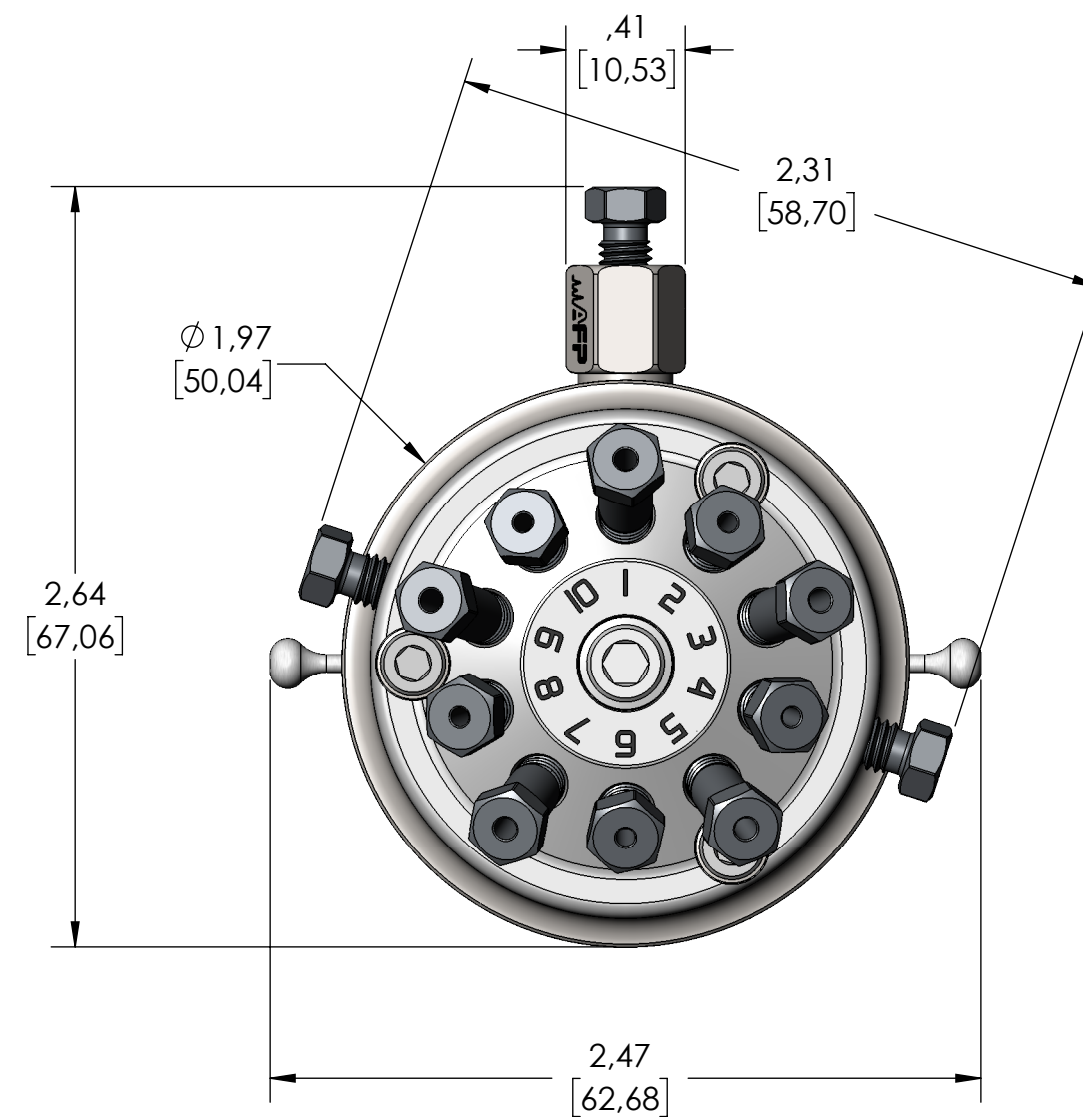
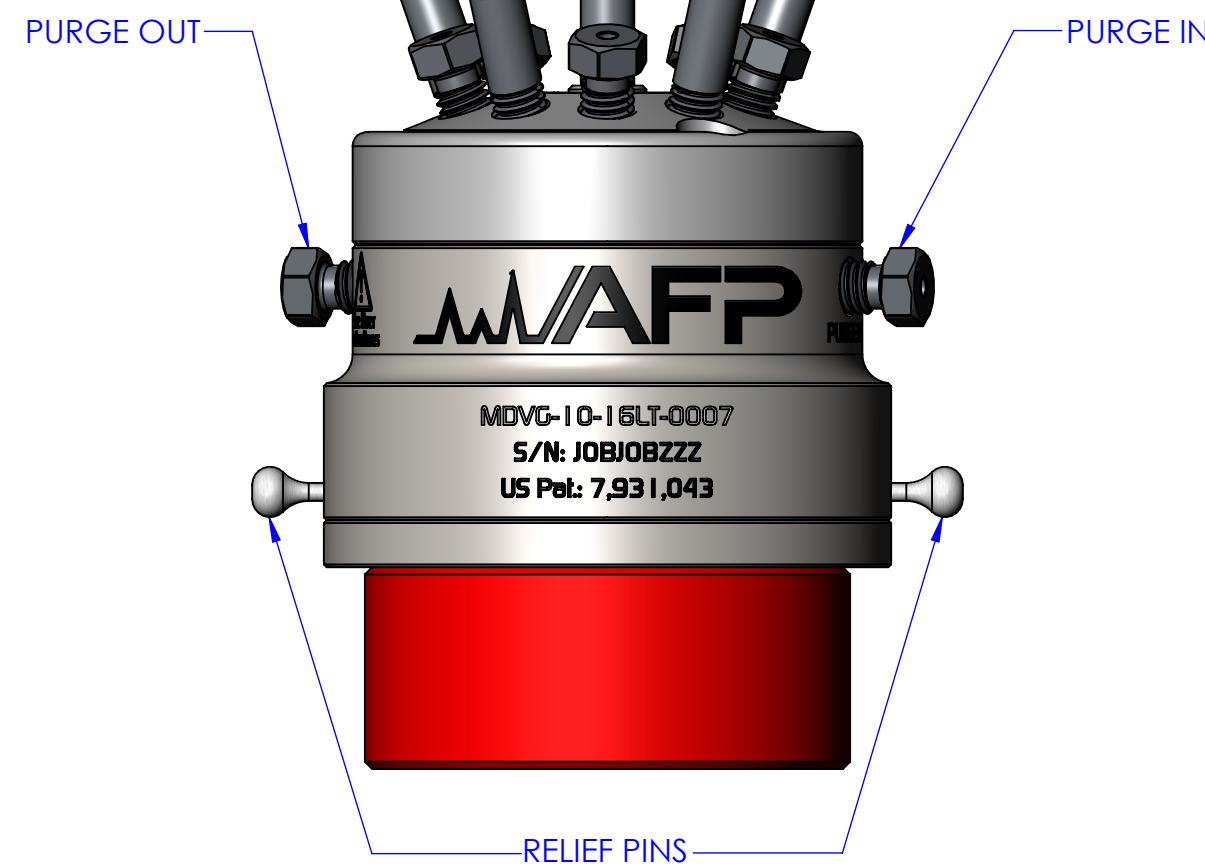
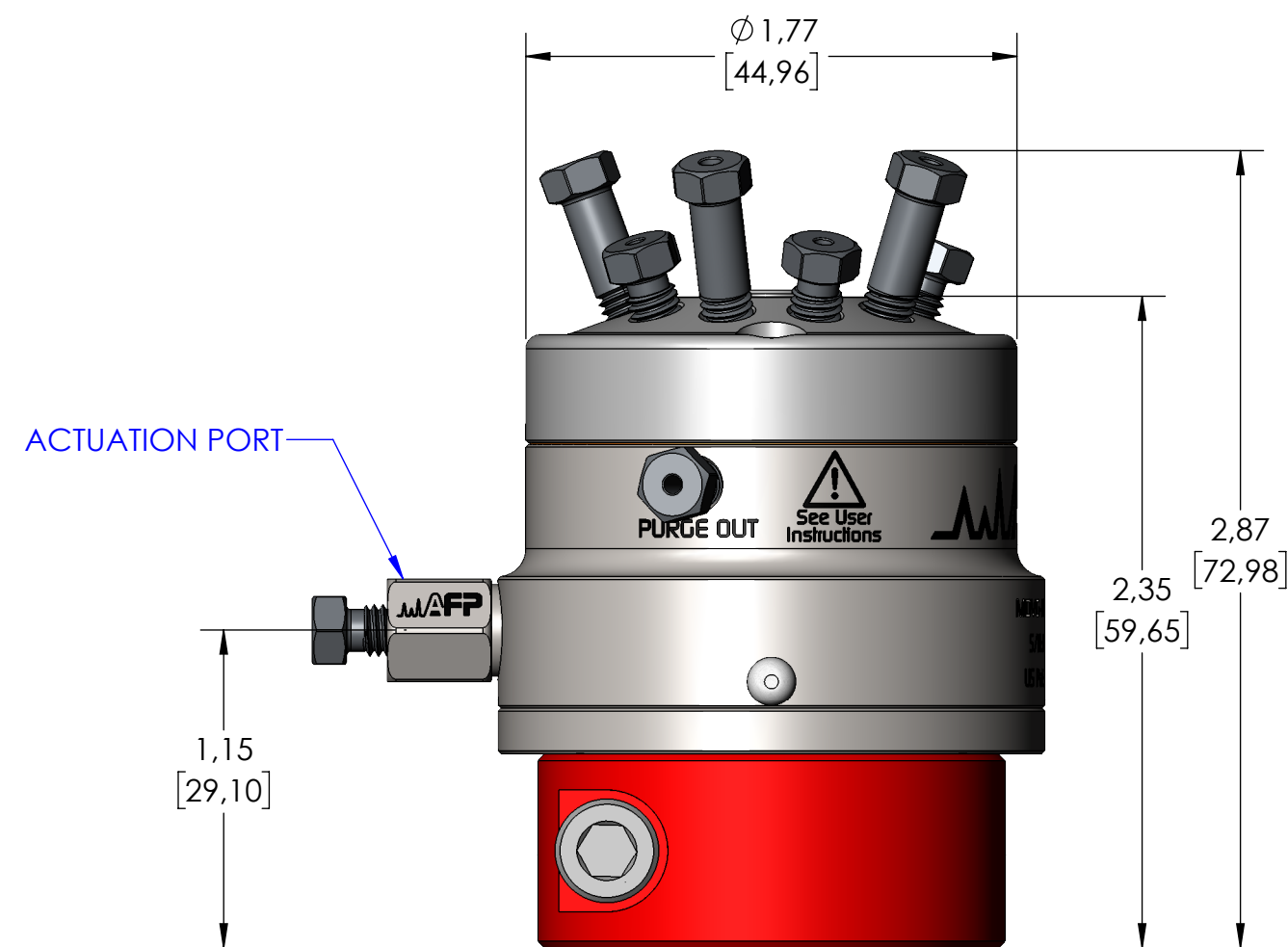
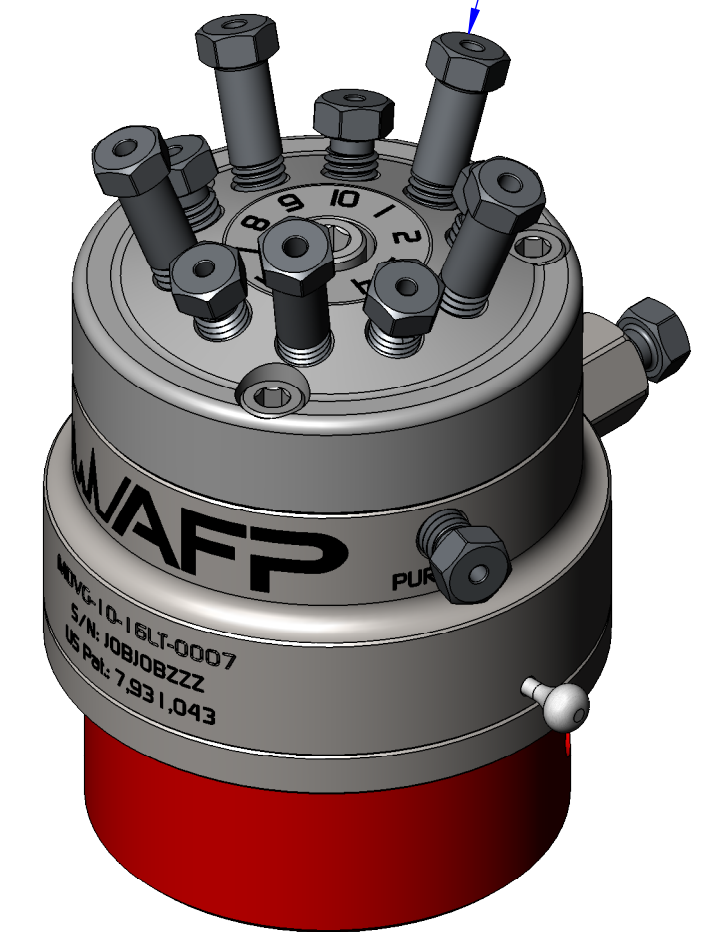


DATE	SYM	REVISION RECORD	ECO	DWN	ENG	MFG
2018-01-14	00	NEW RELEASE	0088	AC	AC	SL




LONG NUTS ON ODD PORT #



SPECIFICATIONS:

VALVE P/N	MDVG2-10-16LT-0007
VALVE TYPE	PREMIUM GRADE, LOW TEMPERATURE
NUMBER OF PORTS	10
PORT SIZE	0.030" [0.762mm]
PORT CONNECTION	1/16" [1.6mm]
MAX. WORKING PRESSURE	500psig [3450kPa]
MAX INITIAL LEAK RATE	6.1E-11 Atm-cc/s He
MAX INITIAL PRESSURE DROP	30 kPa @ 75 sccm N ₂ , 15 kPa max. between any sections
ACTUATOR TYPE	PNEUMATIC SINGLE ACTUATION (SPRING RETURN)
ACTUATION PRESSURE	65psig [450kPa]
GAS CONSUMPTION PER ACTUATION	0.07in ³ [1.15ml]
MAX. WORKING TEMPERATURE	212°F [100°C]
MATERIAL	STAINLESS STEEL BODY SS-316L VALVE HEAD AFPD-1 DIAPHRAGM TYPE

MATERIAL:	FINISH: X	 <p>2659, boul. du Parc Technologique, Quebec, Quebec, CANADA G1P 4S5</p> <p>Tel: 418-338-0004 Fax: 418-338-2500 Email: info@afproducts.ca Web: www.afproducts.ca</p>			
		DESCRIPTION: MINI DIAPHRAGM VALVE GROOVED 10 PORTS SS (LOW TEMPERATURE)			
PROPRIETARY INFORMATION THIS DRAWING IS THE PROPERTY OF APN-AFP INC. IT IS RETURNABLE UPON REQUEST AND MUST NOT BE REPRODUCED OR THE INFORMATION CONTAINED HEREIN TRANSMITTED TO ANY UNAUTHORIZED PERSON OR ORGANIZATION WITHOUT THE WRITTEN CONSENT OF APN-AFP INC.		UNIT IN	SIZE C	DWG. NO. MDVG-10-16LT-0007	REV. 00
SCALE		1.5:1	SHEET 1 OF 3		