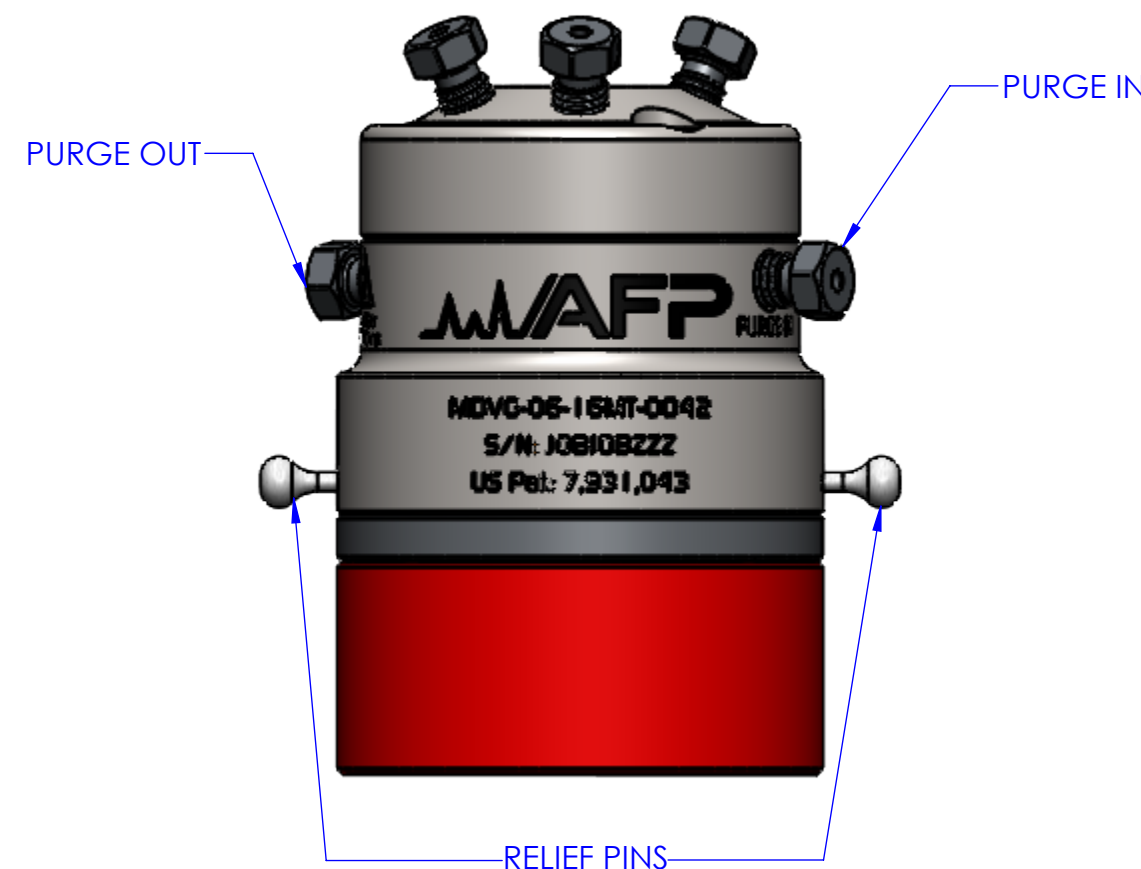
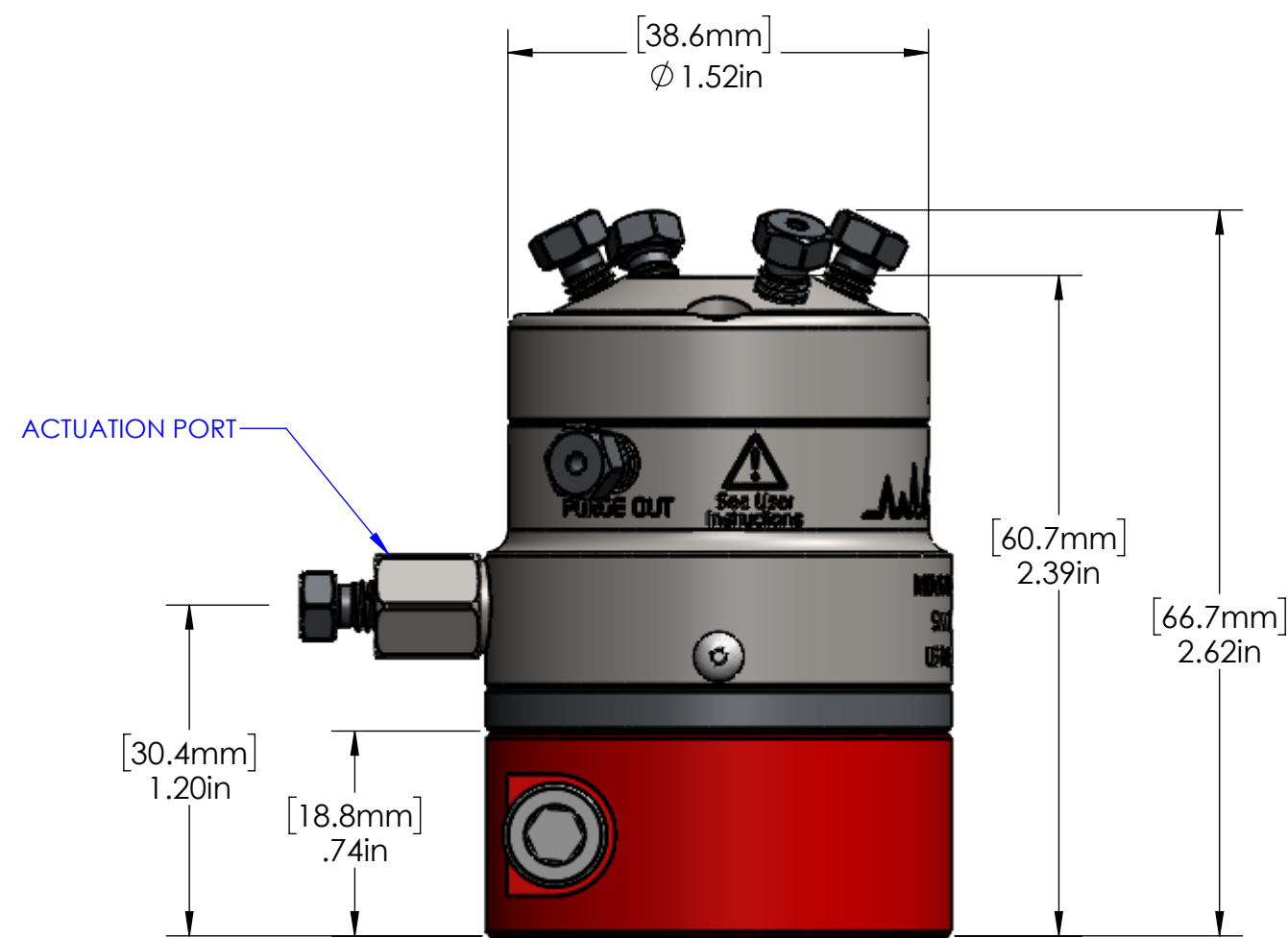
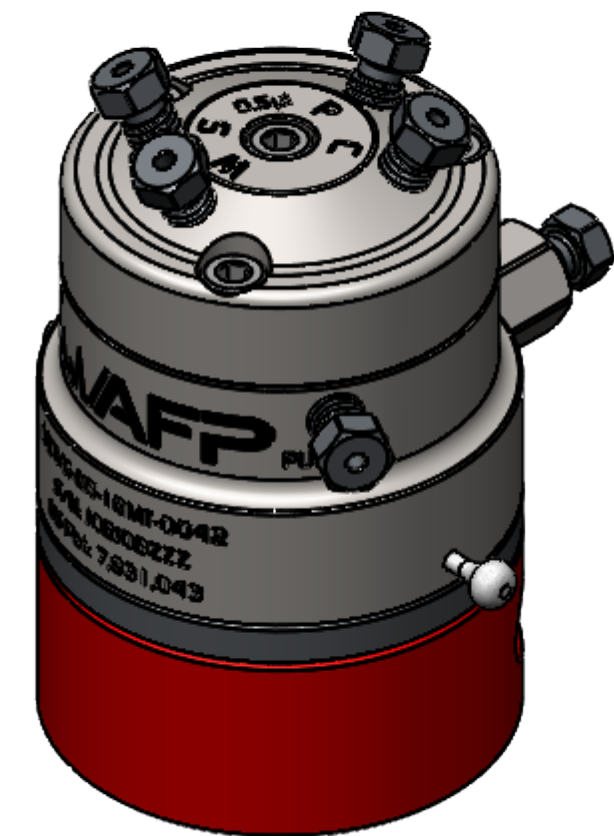
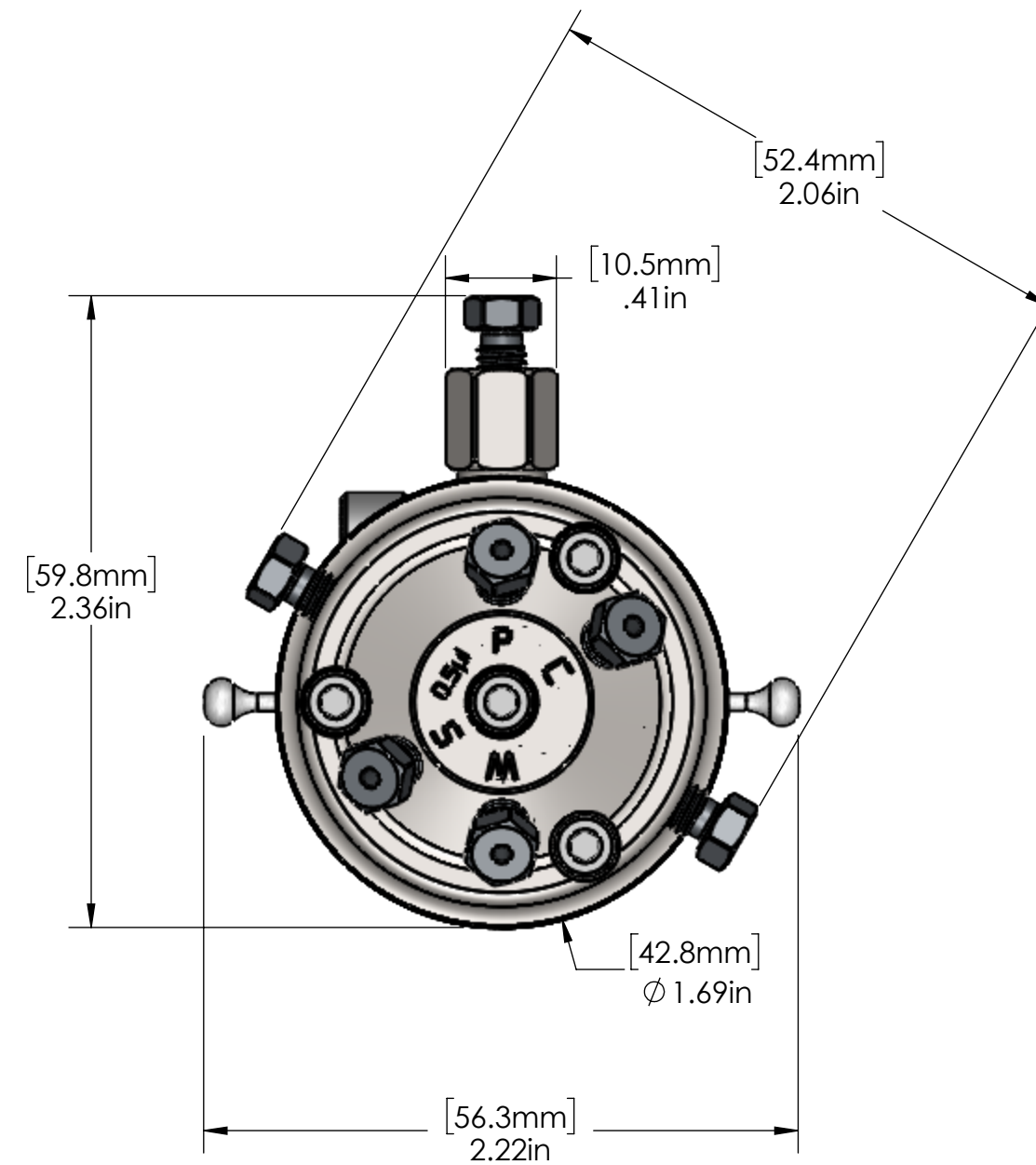




| DATE | SYM | REVISION RECORD | ECO | DWN | ENG | MFG |
|------------|-----|-----------------|------|-----|-----|-----|
| 2019-05-13 | 00 | NEW RELEASE | 0151 | JS | EB | SL |



SPECIFICATIONS:

| | |
|-------------------------------|--|
| VALVE P/N | MDVG-06-16MT-0042 |
| VALVE TYPE | PREMIUM GRADE, MEDIUM TEMPERATURE |
| NUMBER OF PORTS | 4 |
| PORT SIZE | 0.030" [0.76 mm] |
| PORT CONNECTION | 1/16" [1.6 mm] |
| SAMPLE LOOP SIZE | 0.5 µL |
| MAX. WORKING PRESSURE | 1000 PSI [6895 kPa] |
| MAX. INITIAL LEAK | 1.6E-11 Atm-cc/s He |
| MAX. INITIAL PRESSURE DROP | 10 kPa @ 75 sccm N ₂ , 3kPa max. between any sections |
| ACTUATOR TYPE | PNEUMATIC SINGLE ACTUATION (SPRING RETURN) |
| ACTUATION PRESSURE | 65 PSI [345 kPa] |
| GAS CONSUMPTION PER ACTUATION | 0.05 in ³ [0.82 ml] |
| MAX. WORKING TEMPERATURE | 212°F [100°C] |
| MATERIAL | SS BODY SS-316L VALVE HEAD AFPD-1 DIAPHRAGM TYPE |

| | | | | |
|---|-------------------|---|-------------------------------|------------|
| MATERIAL: | | 2659, boul. du Parc Technologique, Quebec, Quebec, CANADA G1P 4S5 | | |
| FINISH: | |  Tel.: 418-338-0004 Fax: 418-338-2500 Email: info@alproducts.ca Web: www.alproducts.ca | | |
|  ACCORDANCE WITH LATEST ASME Y14.5 | | DESCRIPTION: MINI DIAPHRAGM VALVE 6 PORTS SS (MED TEMPERATURE, ISL 0.5µL, 1000PSIG PROCESS) | | |
| PROPRIETARY INFORMATION THIS DRAWING IS THE PROPERTY OF APN-AFP INC. IT IS RETURNABLE UPON REQUEST AND MUST NOT BE REPRODUCED OR THE INFORMATION CONTAINED HEREIN TRANSMITTED TO ANY UNAUTHORIZED PERSON OR ORGANIZATION WITHOUT THE WRITTEN CONSENT OF APN-AFP INC. | UNIT IN | SIZE C | DWG. NO. MDVG-06-16MT-0042 | REV. 00 |
| SCALE 1.5:1 | | SHEET 1 OF 3 | | |