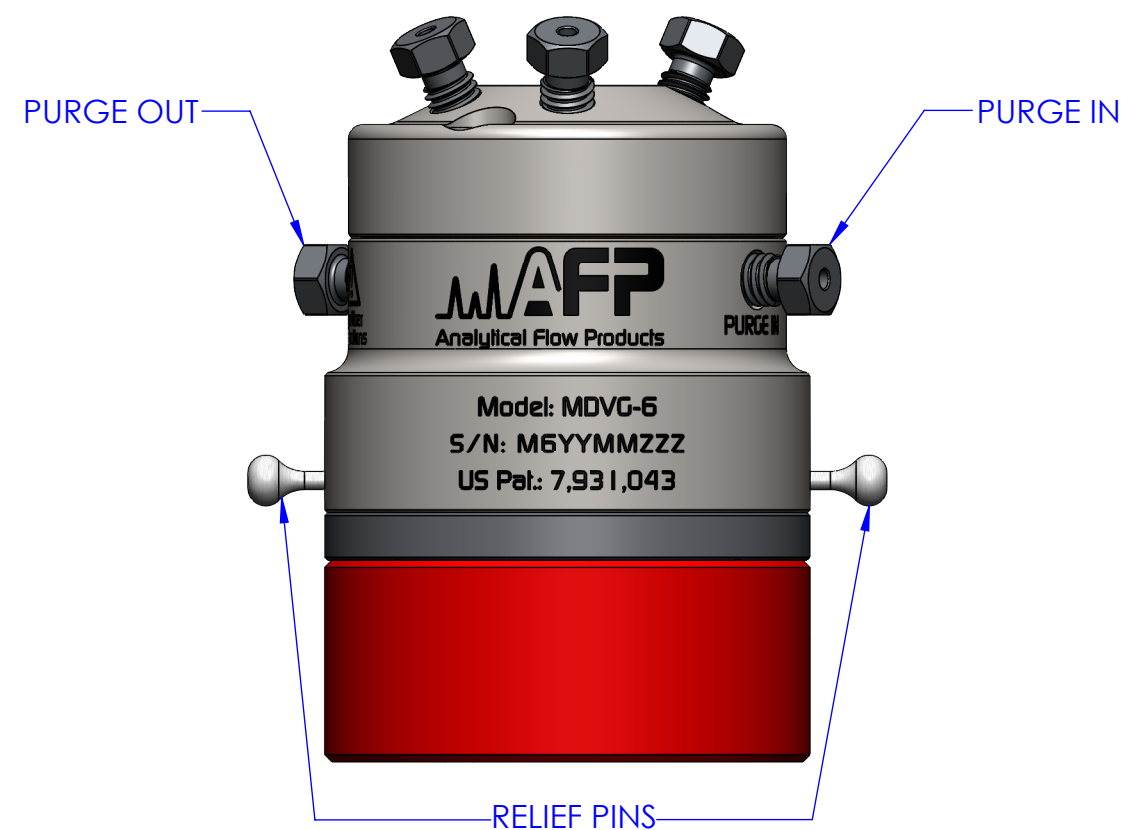
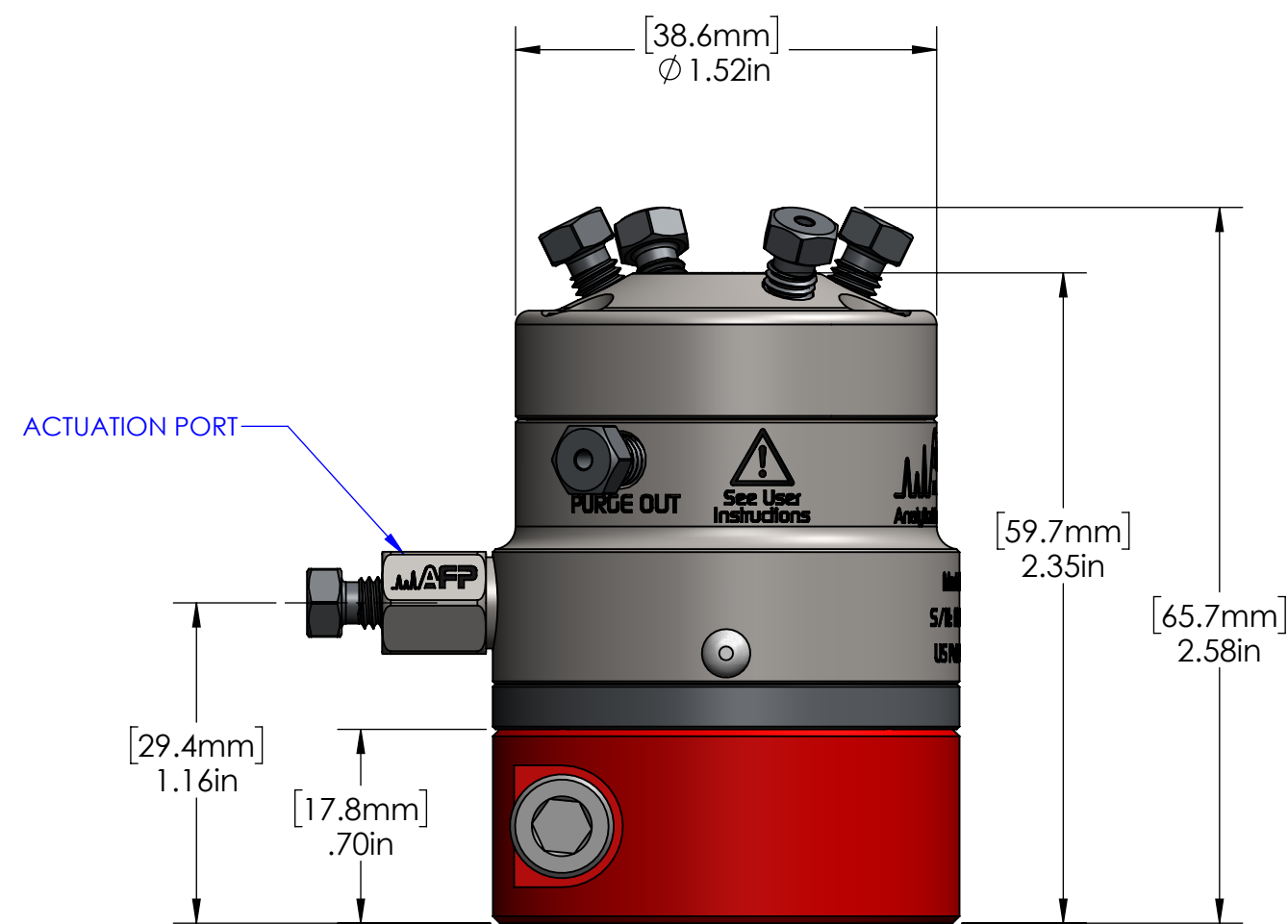
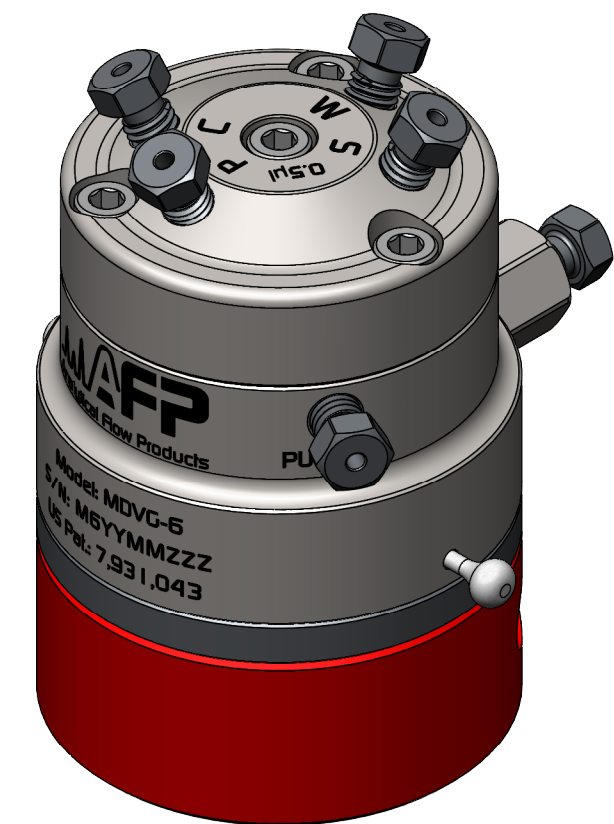
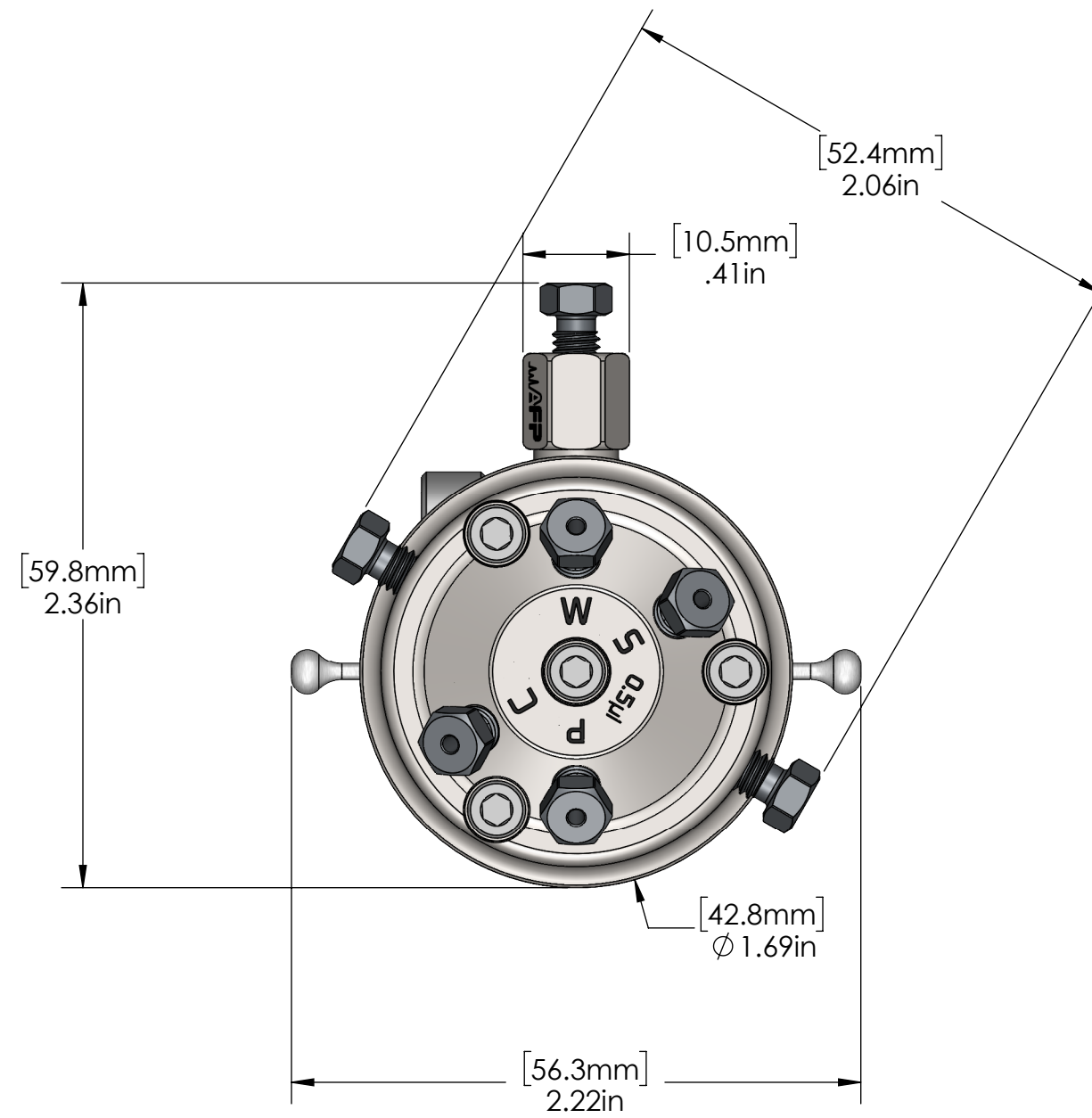


DATE	SYM	REVISION RECORD	ECO	DWN	ENG	MFG
2018-01-17	00	NEW RELEASE	0088	AC	AC	SL



**SPECIFICATIONS:**

VALVE P/N	-----MDVG-06-16LT-0042
VALVE TYPE	-----PREMIUM GRADE, LOW TEMPERATURE
NUMBER OF PORTS	-----4
PORT SIZE	-----0.030" [0.76 mm]
PORT CONNECTION	-----1/16" [1.6 mm]
SAMPLE LOOP SIZE	-----0.5 µL
MAX. WORKING PRESSURE	-----1000 PSI [6895 kPa]
MAX. INITIAL LEAK	-----1.4E-11 Atm-cc/s He
MAX. INITIAL PRESSURE DROP	-----10 kPa @ 75 sccm N <sub>2</sub> , 3 kPa max. between any sections
ACTUATOR TYPE	-----PNEUMATIC SINGLE ACTUATION (SPRING RETURN)
ACTUATION PRESSURE	-----75 PSI [520 kPa]
GAS CONSUMPTION PER ACTUATION	-----0.05 in <sup>3</sup> [0.82 ml]
MAX. WORKING TEMPERATURE	-----212°F [100°C]
MATERIAL	-----ALUMINUM BODY SS-316L VALVE HEAD AFPD-1 DIAPHRAGM TYPE

MATERIAL:	2659, boul. du Parc Technologique, Quebec, Quebec, CANADA G1P 4S5						
	Tel.: 418-338-0004 Fax: 418-338-2500 Email: info@afproducts.ca Web: www.afproducts.ca						
FINISH:	Analytical Flow Products						
DESCRIPTION: MINI DIAPHRAGM VALVE 6 PORTS SS (LOW TEMPERATURE, ISL 0.5µL, 1000PSIG PROCESS)							
DRAWN	DATE	ENG	DATE	MFG	DATE	APPROVED	DATE
DB	2017-11-05						
UNIT	SIZE	DWG. NO.		REV.			
IN	C	MDVG-06-16LT-0042		00			
SCALE	1.5:1	SHEET 1 OF 2					

PROPRIETARY INFORMATION  
THIS DRAWING IS THE PROPERTY OF AFP INC.  
IT IS RETURNABLE UPON REQUEST AND MUST NOT BE REPRODUCED  
OR THE INFORMATION CONTAINED HEREIN TRANSMITTED TO ANY  
UNAUTHORIZED PERSON OR ORGANIZATION WITHOUT THE  
WRITTEN CONSENT OF AFP INC.