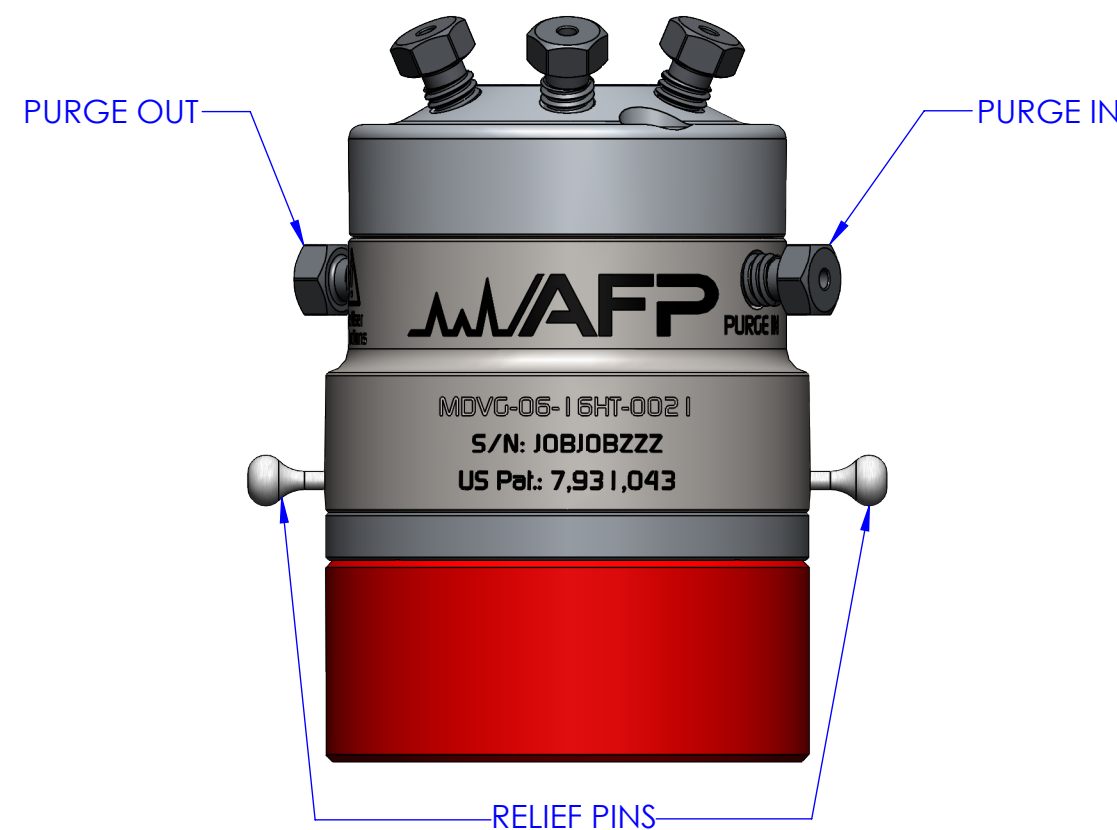
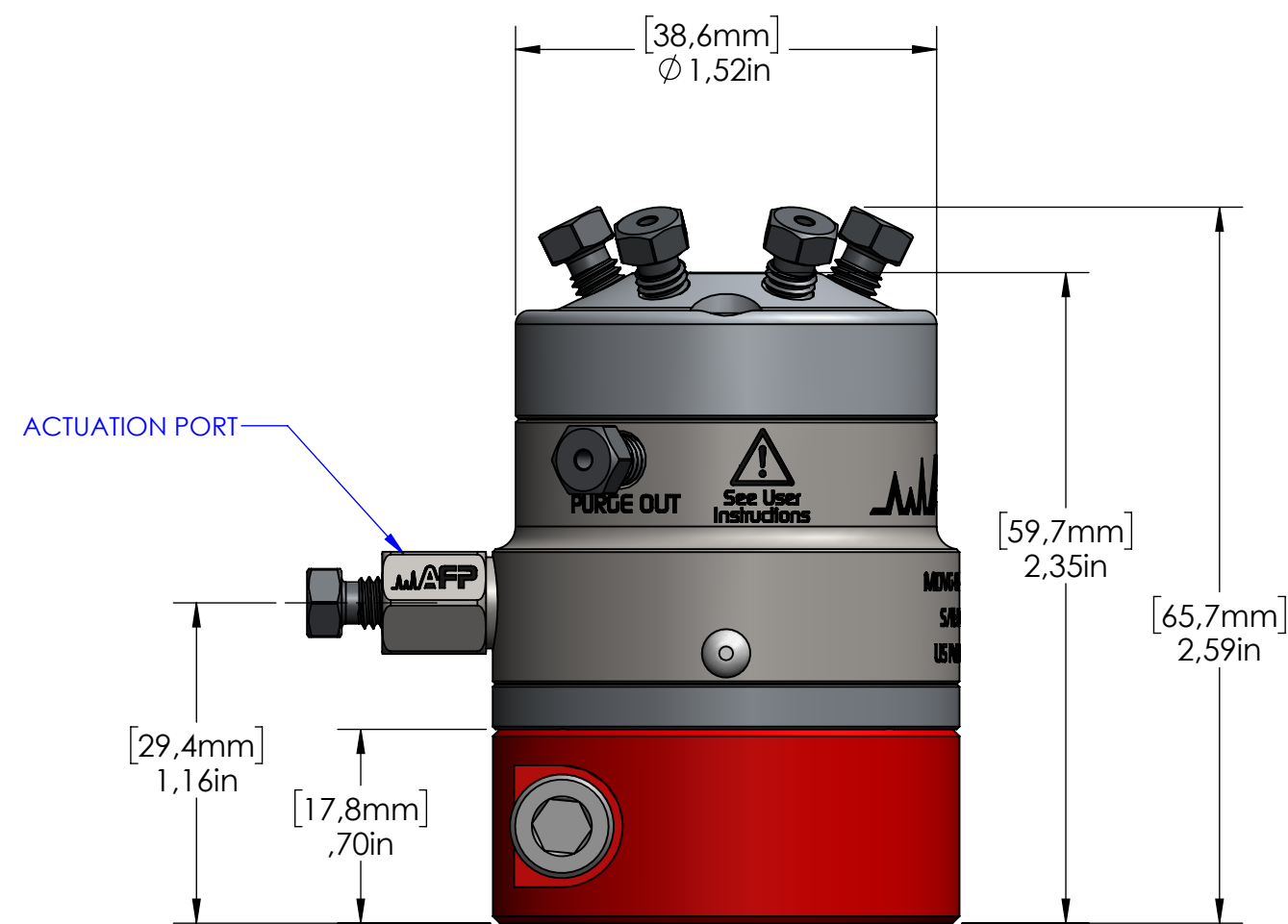
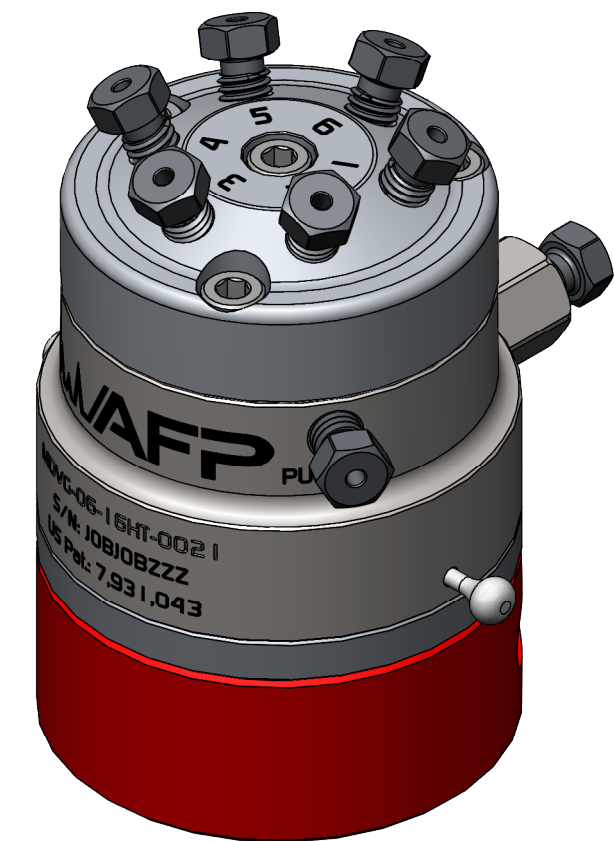
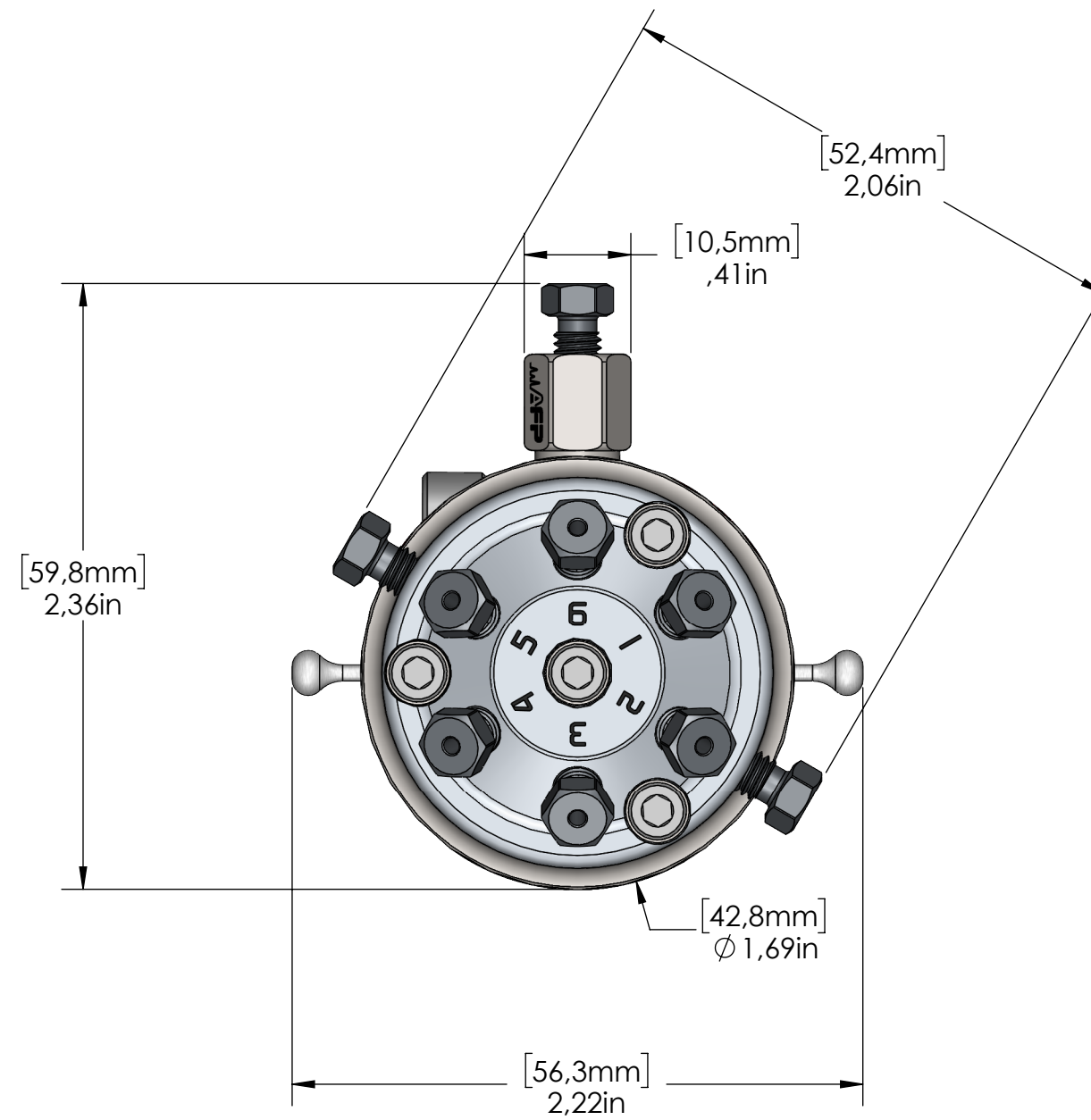




DATE	SYM	REVISION RECORD	ECO	DWN	ENG	MFG
2018-01-17	00	NEW RELEASE	0088	AC	AC	SL
2018-11-26	01	Valve Head Coating Update	0114	AC	AC	SL



SPECIFICATIONS:

VALVE P/N	MDVG-06-16HT-0021
VALVE TYPE	PREMIUM GRADE, HIGH TEMPERATURE
NUMBER OF PORTS	6
PORT SIZE	0.030" [0.76 mm]
PORT CONNECTION	1/16" [1.6 mm]
MAX. WORKING PRESSURE	500 psig [3450 kPa]
MAX. INITIAL LEAK	6.1E-11 Atm-cc/s He
MAX. INITIAL PRESSURE DROP	30 kPa @ 75 sccm N ₂ , 15kPa max. between any sections
ACTUATOR TYPE	PNEUMATIC SINGLE ACTUATION (SPRING RETURN)
ACTUATION PRESSURE	65 psig [345 kPa]
GAS CONSUMPTION PER ACTUATION	0.05 in ³ [0.82 ml]
MAX. WORKING TEMPERATURE	482°F [250°C]
MATERIAL	SS BODY COATED SS-316L VALVE HEAD AFPD-2 DIAPHRAGM TYPE

MATERIAL:	-	 <p>2659, boul. du Parc Technologique, Quebec, Quebec, CANADA G1P 4S5</p> <p>Tel.: 418-338-0004 Fax: 418-338-2500 Email: info@afproducts.ca Web: www.afproducts.ca</p>		
	FINISH:		-	
 ACCORDANCE WITH LATEST ASME Y14.5		DESCRIPTION:	MINI DIAPHRAGM VALVE 6 PORTS SS (HIGH TEMPERATURE)	
PROPRIETARY INFORMATION THIS DRAWING IS THE PROPERTY OF APN-AFP INC. IT IS RETURNABLE UPON REQUEST AND MUST NOT BE REPRODUCED OR THE INFORMATION CONTAINED HEREIN TRANSMITTED TO ANY UNAUTHORIZED PERSON OR ORGANIZATION WITHOUT THE WRITTEN CONSENT OF APN-AFP INC.	UNIT	SIZE	DWG. NO.	REV.
	IN	C	MDVG-06-16HT-0021	01
SCALE		1,5:1	SHEET 1 OF 3	