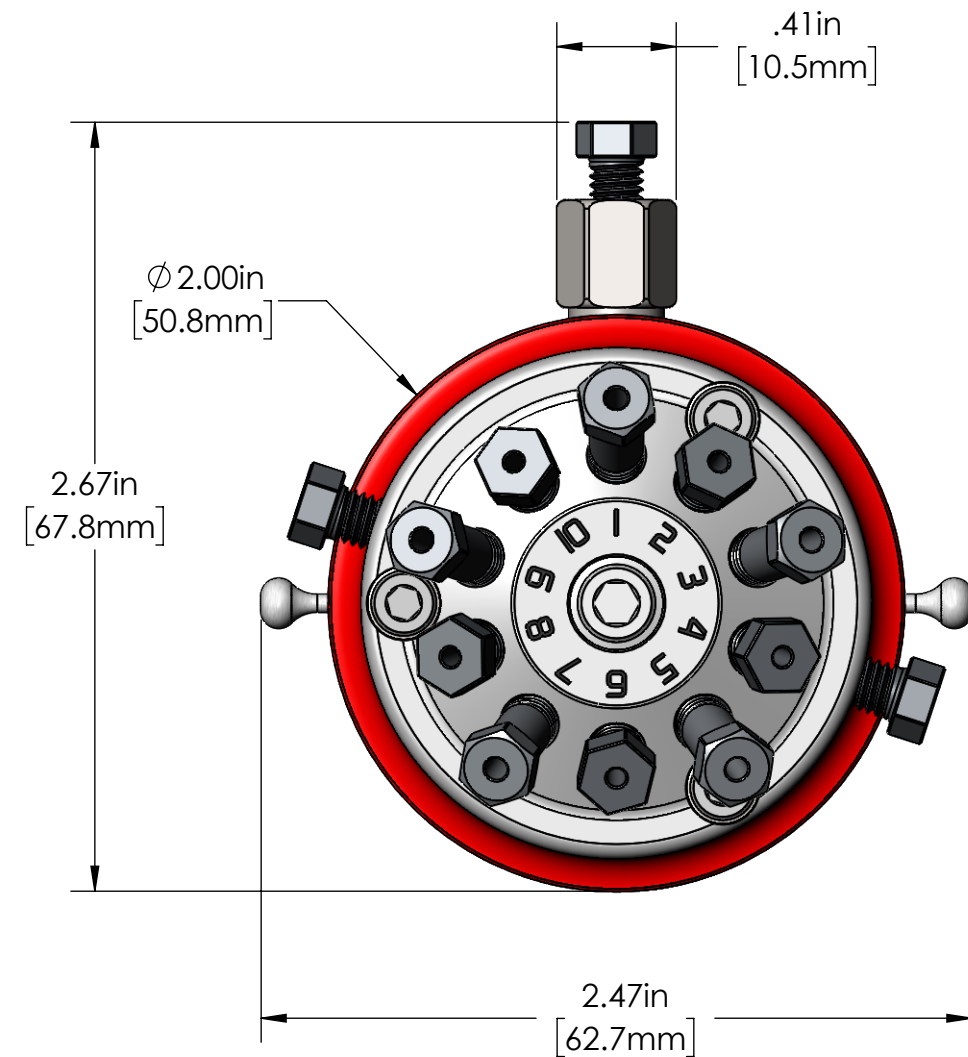
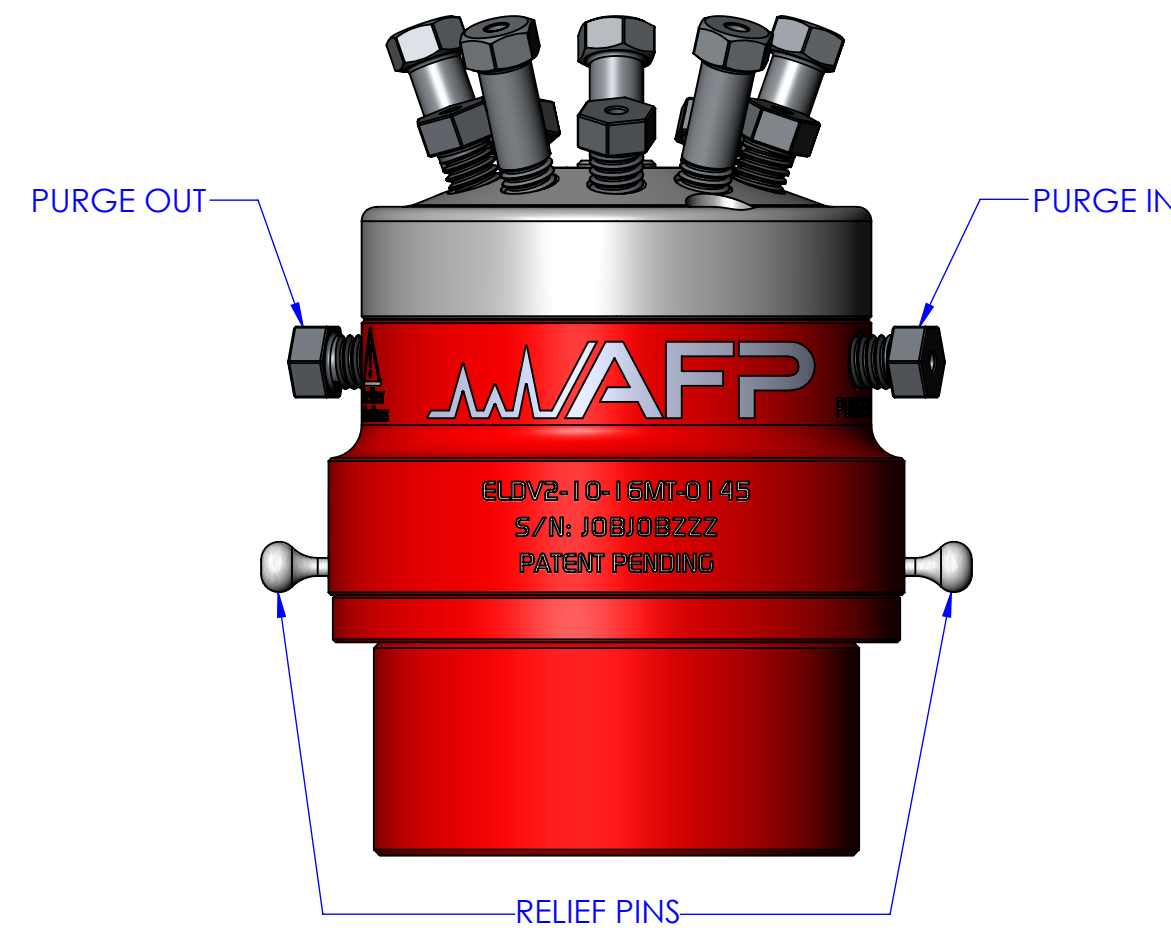
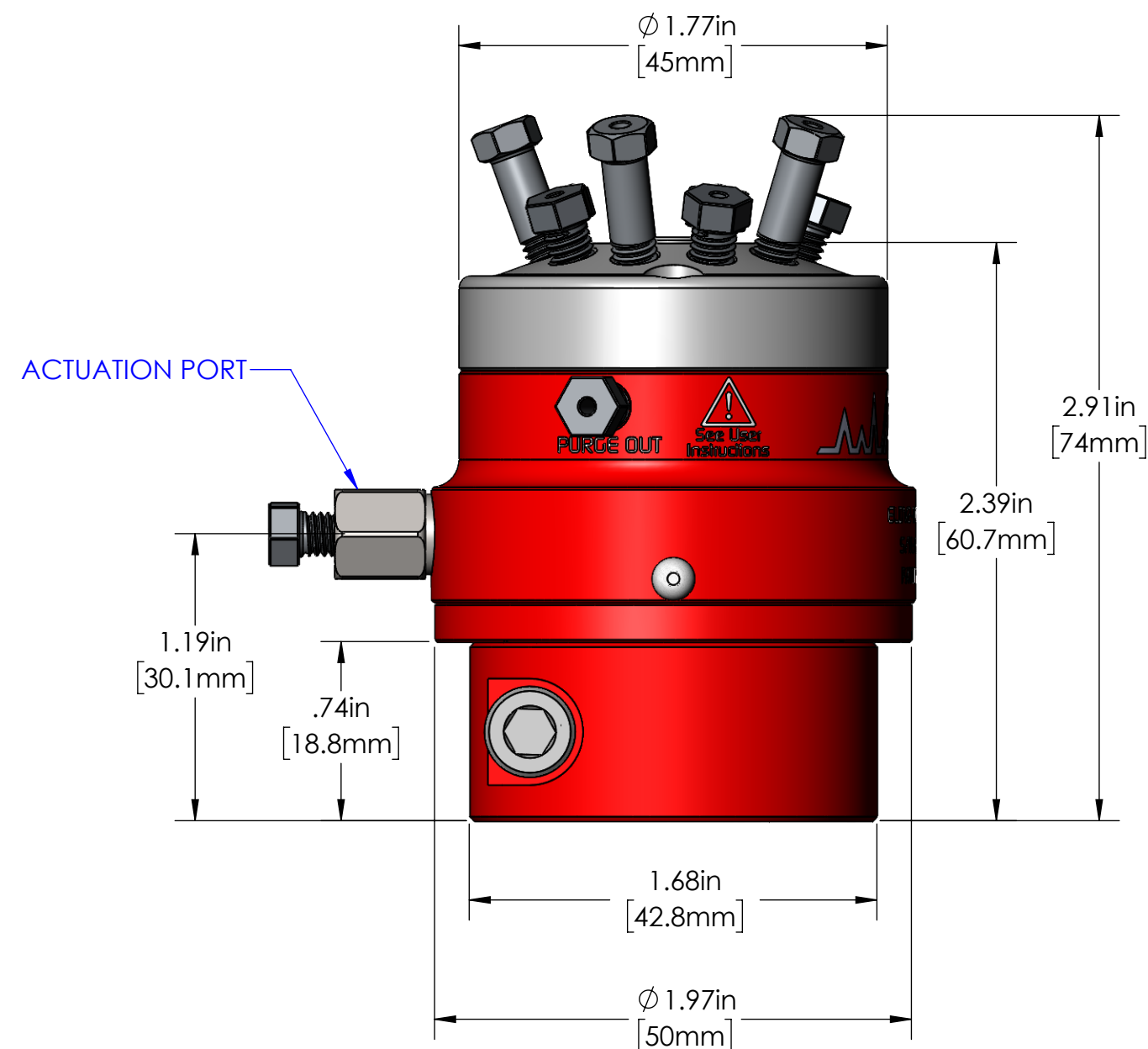
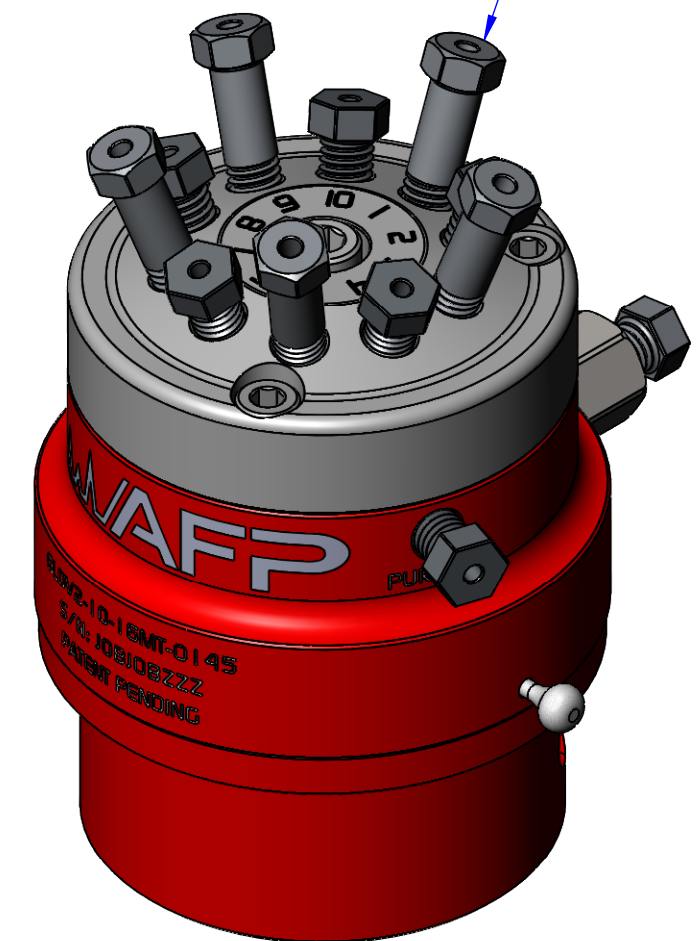


| DATE | SYM | REVISION RECORD | ECO | DWN | ENG | MFG |
|------------|-----|-----------------|------|-----|-----|-----|
| 19-05-2020 | 00 | NEW RELEASE | 0088 | JS | EB | SL |




LONG NUTS ON ODD PORT #



SPECIFICATIONS:

| | |
|-------------------------------|--|
| VALVE P/N | ELDV2-10-16MT-0145 |
| VALVE TYPE | HIGH PERFORMANCE GRADE, MEDIUM TEMPERATURE |
| NUMBER OF PORTS | 10 |
| PORT SIZE | 0.030" [0.76 mm] |
| PORT CONNECTION | 1/16" [1.6 mm] |
| MAX. WORKING PRESSURE | 150 PSI [1035 kPa] |
| MAX. INITIAL LEAK RATE | 10 ⁻⁸ Atm.cc/s He |
| MAX. INITIAL PRESSURE DROP | 2 kPa @ 75 sccm N ₂ |
| ACTUATOR TYPE | PNEUMATIC SINGLE ACTUATION (SPRING RETURN) |
| ACTUATION PRESSURE | 65 PSI [449 kPa] |
| GAS CONSUMPTION PER ACTUATION | 0.07 in ³ [1.15 ml] |
| MAX. WORKING TEMPERATURE | 356°F [180°C] |
| MATERIAL | ALUMINUM BODY SS-316L VALVE HEAD AFPD-2 DIAPHRAGM TYPE |

| | | | |
|--------------|--|---|--------------|
| MATERIAL: | |  <p>2659, boul. du Parc Technologique, Quebec, Quebec, CANADA G1P 4S5</p> <p>Tel.: 418-338-0004 Fax: 418-338-2500 Email: info@afproducts.ca Web: www.afproducts.ca</p> | |
| | FINISH: | | X |
| DESCRIPTION: | MINI DIAPHRAGM VALVE 10 PORTS (PURGE, MEDIUM TEMPERATURE, GATE PLUNGERS) | | |
| UNIT | SIZE | DWG. NO. | REV. |
| IN | C | ELDV2-10-16MT-0145 | 00 |
| SCALE | | 1.5:1 | SHEET 1 OF 3 |

PROPRIETARY INFORMATION
THIS DRAWING IS THE PROPERTY OF APN-AFP INC.
IT IS RETURNABLE UPON REQUEST AND MUST NOT BE REPRODUCED
OR THE INFORMATION CONTAINED HEREIN TRANSMITTED TO ANY
UNAUTHORIZED PERSON OR ORGANIZATION WITHOUT THE
WRITTEN CONSENT OF APN-AFP INC.