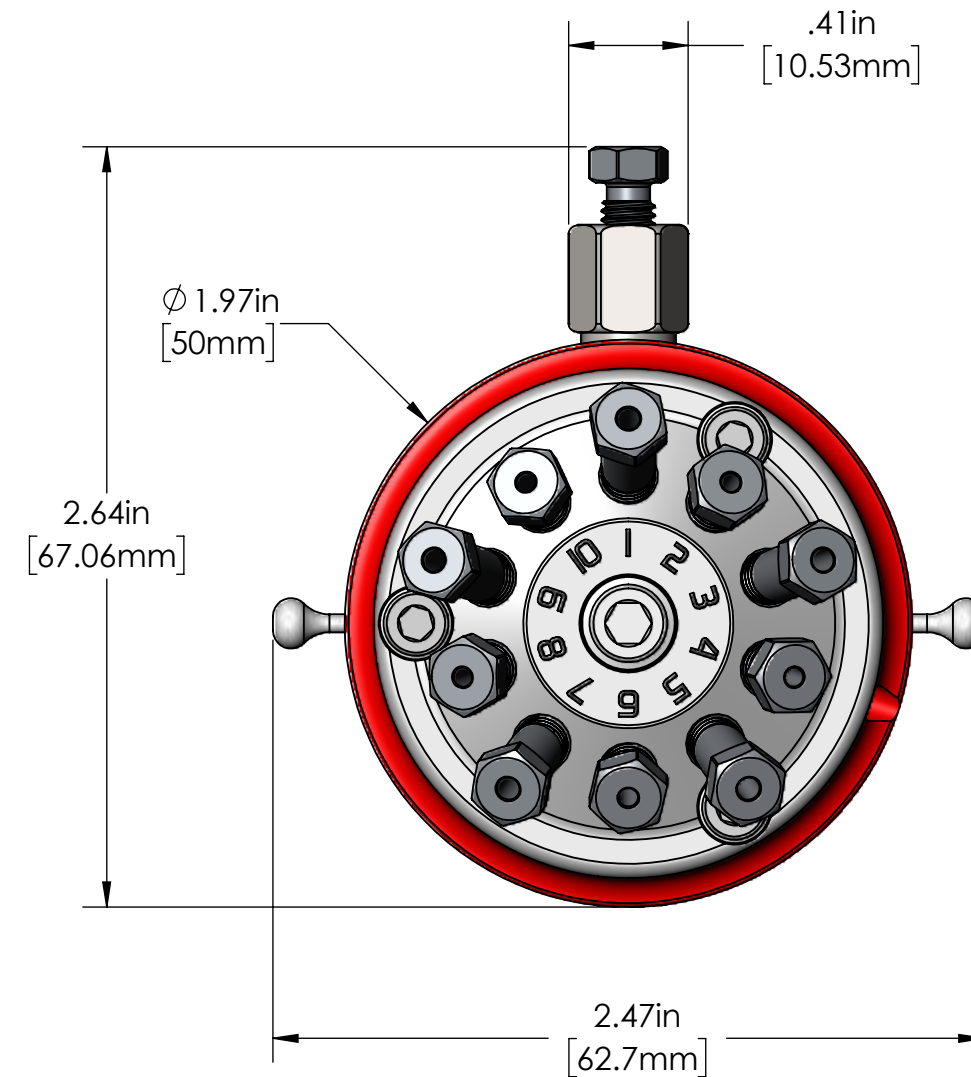
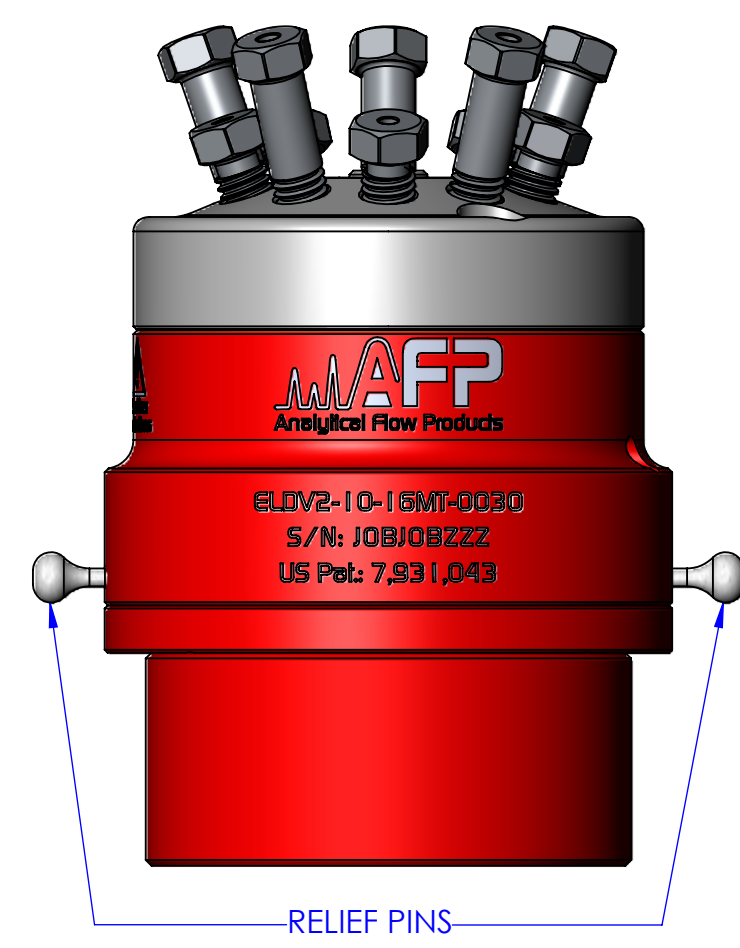
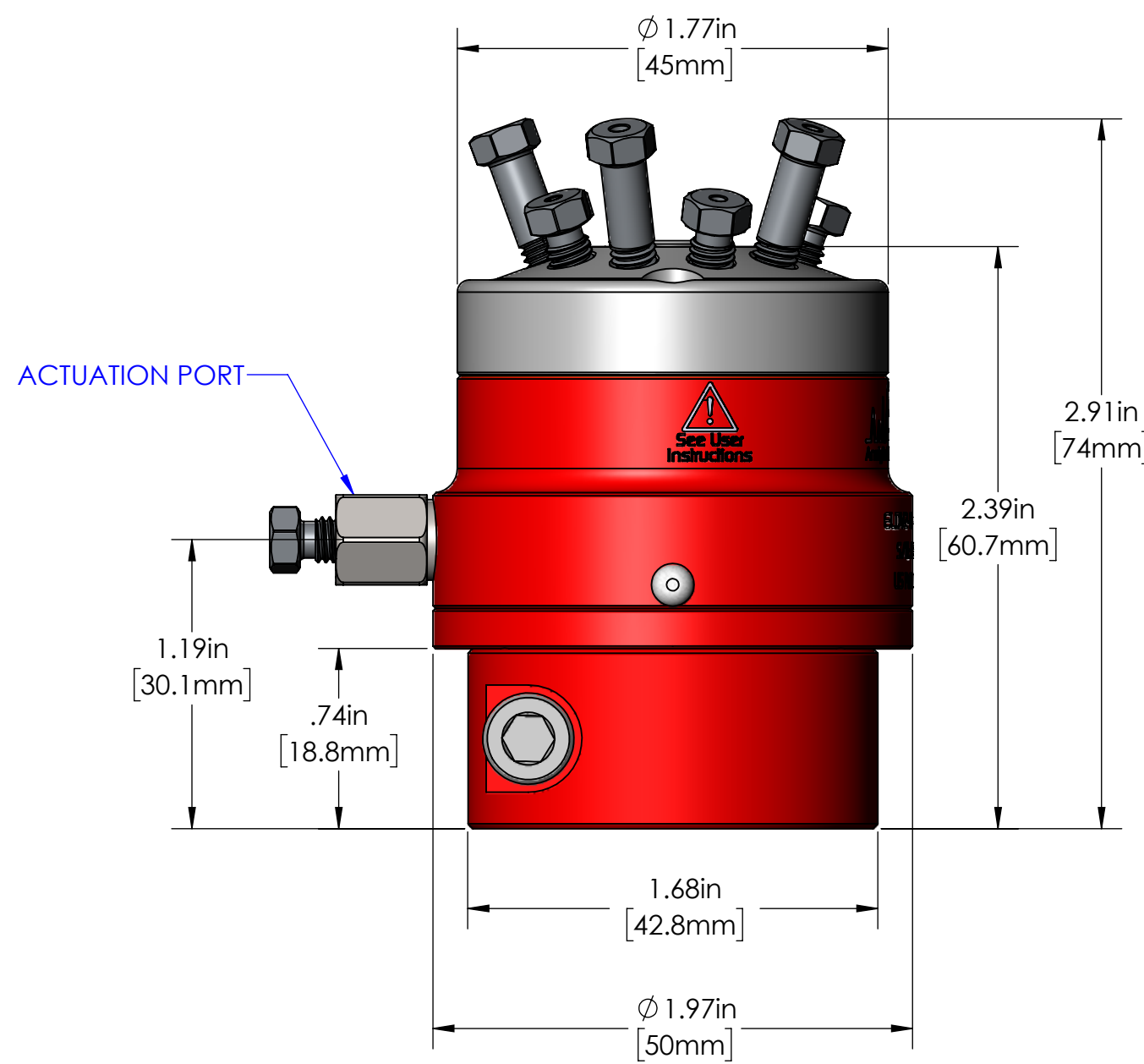
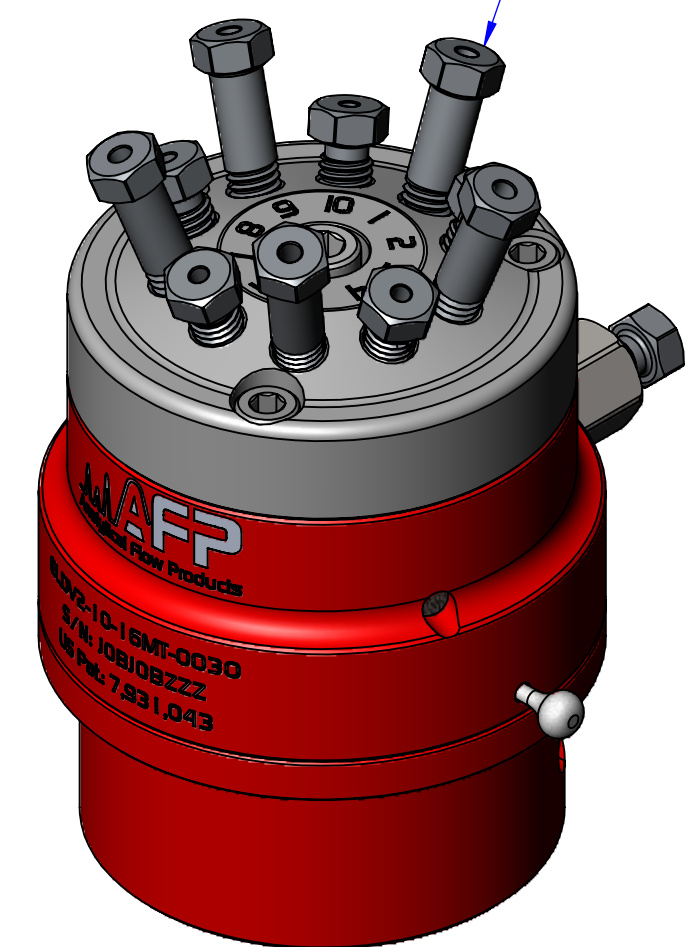


DATE	SYM	REVISION RECORD	ECO	DWN	ENG	MFG
2017-12-19	00	NEW RELEASE	0088	AC	AC	SL
2018-08-17	01	COMPONENT UPDATE	0107	AC	AC	SL




LONG NUTS ON ODD PORT #



RELIEF PINS

SPECIFICATIONS:

VALVE P/N	ELD2-10-16MT-0030
VALVE TYPE	HIGH PERFORMANCE GRADE, MEDIUM TEMPERATURE
NUMBER OF PORTS	10
PORT SIZE	0.030" [0.76 mm]
PORT CONNECTION	1/16" [1.6 mm]
MAX. WORKING PRESSURE	300 PSI [2070 kPa]
MAX. INITIAL LEAK RATE	4.1E-10 Atm-cc/s He
MAX. INITIAL PRESSURE DROP	15 kPa @ 75 sccm N ₂
ACTUATOR TYPE	PNEUMATIC SINGLE ACTUATION (SPRING RETURN)
ACTUATION PRESSURE	65 PSI [449 kPa]
GAS CONSUMTION PER ACTUATION	0.07 in ³ [1.15 ml]
MAX. WORKING TEMPERATURE	356°F [180°C]
MATERIAL	ALUMINUM BODY SS-316L VALVE HEAD AFPD-2 DIAPHRAGM TYPE

MATERIAL:	FINISH: X	 <p>2659, boul. du Parc Technologique, Quebec, Quebec, CANADA G 1P 4S5 Tel: 418-338-0004 Fax: 418-338-2500 Email: info@afproducts.ca Web: www.afproducts.ca</p>		
			DESCRIPTION: MINI DIAPHRAGM VALVE 10 PORTS (NO PURGE, MEDIUM TEMPERATURE)	
<p>PROPRIETARY INFORMATION THIS DRAWING IS THE PROPERTY OF APN-AFP INC. IT IS RETURNABLE UPON REQUEST AND MUST NOT BE REPRODUCED OR THE INFORMATION CONTAINED HEREIN TRANSMITTED TO ANY UNAUTHORIZED PERSON OR ORGANIZATION WITHOUT THE WRITTEN CONSENT OF APN-AFP INC.</p>	<p>UNIT IN</p>	<p>SIZE C</p>	<p>DWG. NO. ELD2-10-16MT-0030</p>	<p>REV. 01</p>
SCALE 1.5:1		SHEET 1 OF 4		