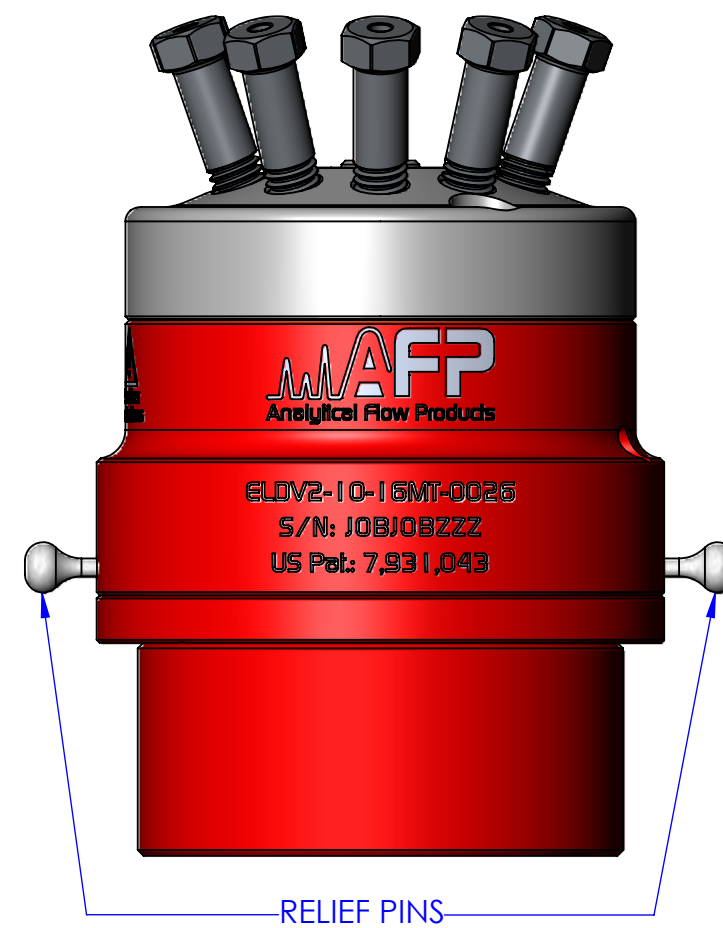
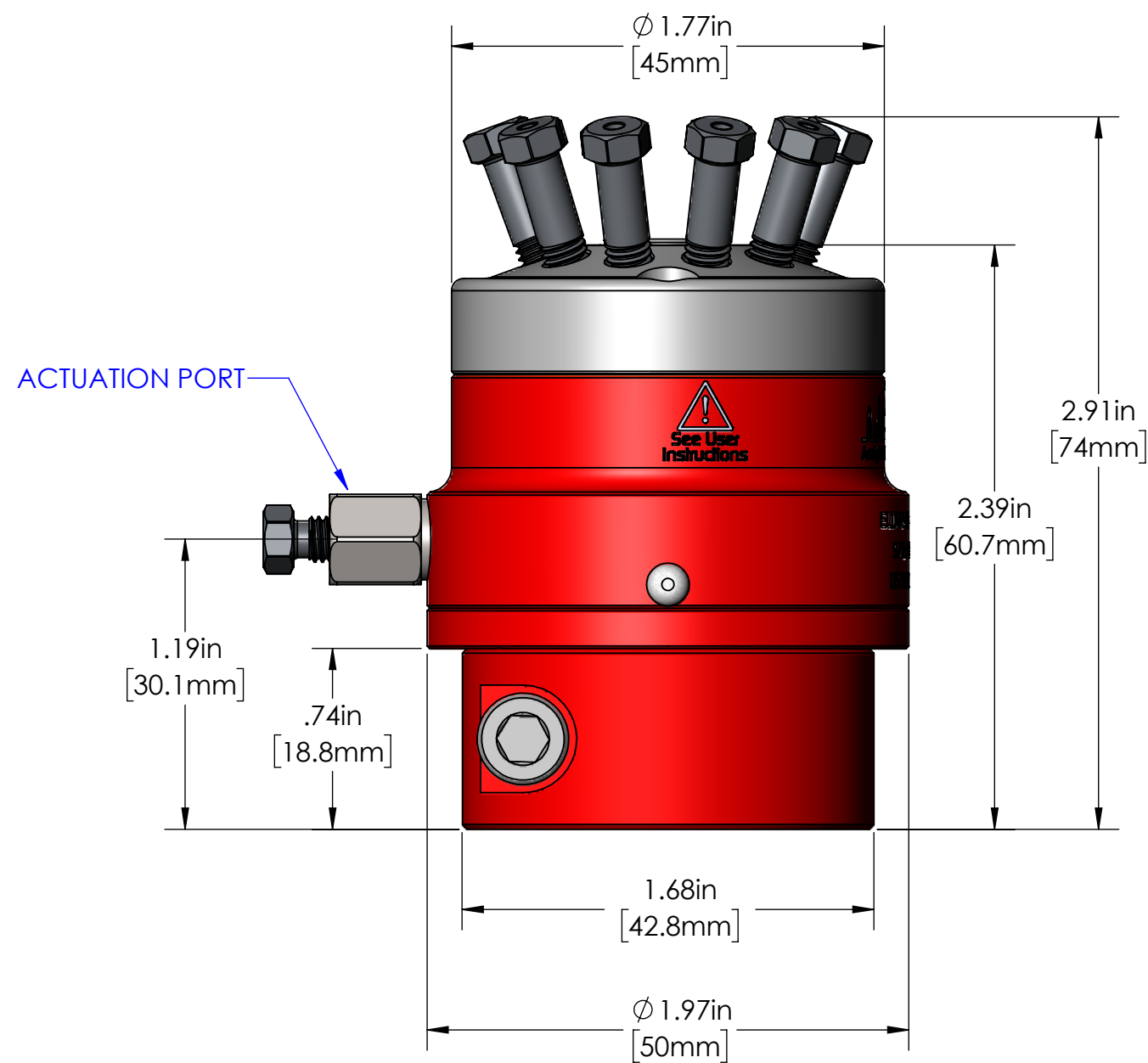
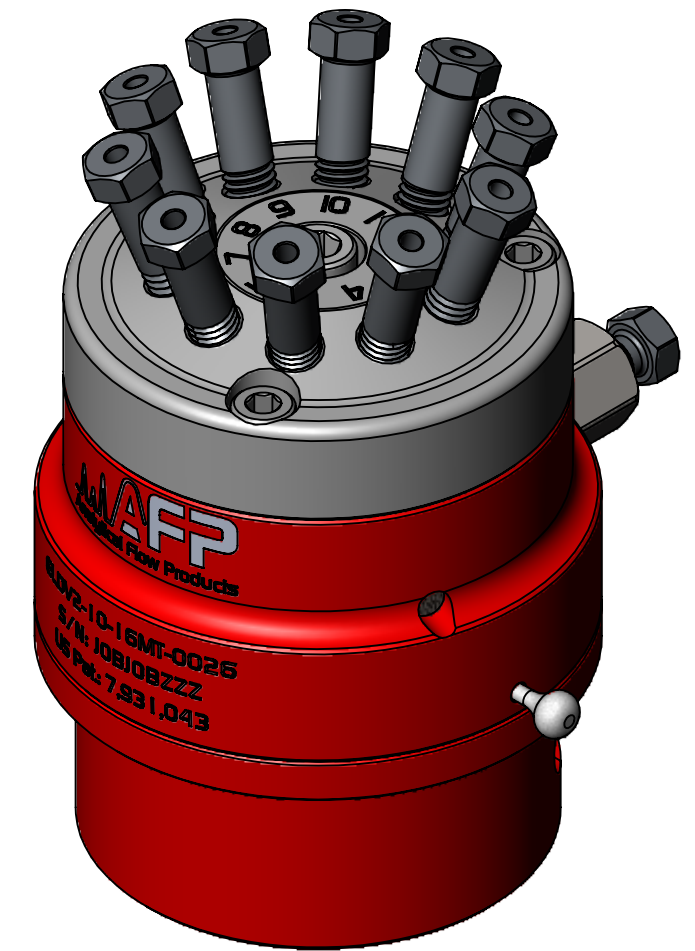
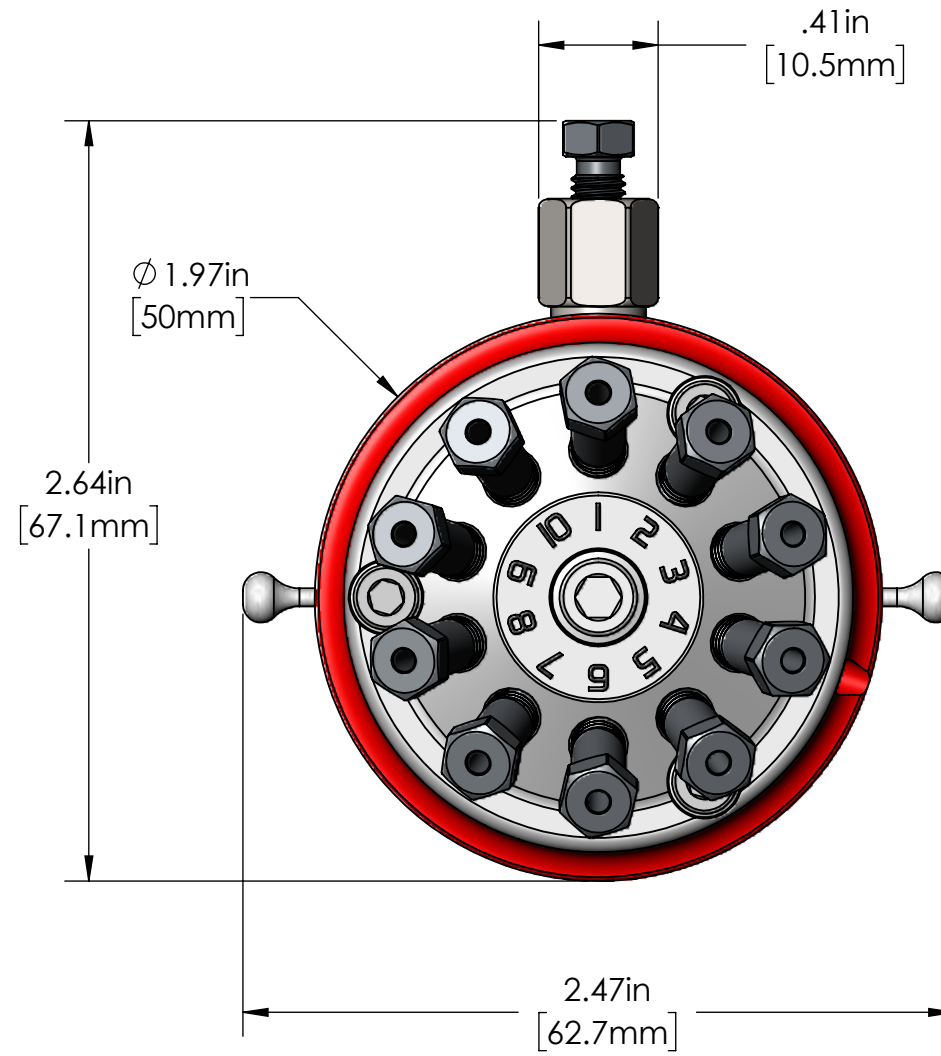




DATE	SYM	REVISION RECORD	ECO	DWN	ENG	MFG
2017-12-19	00	NEW RELEASE	0088	AC	AC	SL
2019-07-05	01	COMPONENT UPDATE	0167	JS	EB	SL



SPECIFICATIONS:

VALVE P/N	ELD2-10-16MT-0026
VALVE TYPE	HIGH PERFORMANCE GRADE, MEDIUM TEMPERATURE
NUMBER OF PORTS	10
PORT SIZE	0.030" [0.76 mm]
PORT CONNECTION	1/16" [1.6 mm]
MAX. WORKING PRESSURE	150 PSI [1035 kPa]
MAX. INITIAL LEAK RATE	5.5E-9 Atm-cc/s He
MAX. INITIAL PRESSURE DROP	15 kPa @ 75 sccm N ₂
ACTUATOR TYPE	PNEUMATIC SINGLE ACTUATION (SPRING RETURN)
ACTUATION PRESSURE	65 PSI [449 kPa]
GAS CONSUMTION PER ACTUATION	0.07 in ³ [1.15 ml]
MAX. WORKING TEMPERATURE	356°F [180°C]
MATERIAL	ALUMINUM BODY SS-316L VALVE HEAD AFPD-2 DIAPHRAGM TYPE

MATERIAL:		 2659, boul. du Parc Technologique, Quebec, CANADA G1P 4S5 Tel: 418-338-0004 Fax: 418-338-2500 Email: info@afproducts.ca Web: www.afproducts.ca		
	FINISH:		X	
 ACCORDANCE WITH LATEST ASME Y14.5		DESCRIPTION:	10-port MT2 No Purge Long Nuts	
PROPRIETARY INFORMATION THIS DRAWING IS THE PROPERTY OF APN-AFP INC. IT IS RETURNABLE UPON REQUEST AND MUST NOT BE REPRODUCED OR THE INFORMATION CONTAINED HEREIN TRANSMITTED TO ANY UNAUTHORIZED PERSON OR ORGANIZATION WITHOUT THE WRITTEN CONSENT OF APN-AFP INC.	UNIT	SIZE	DWG. NO.	REV.
	IN	C	ELD2-10-16MT-0026	01
SCALE		1.5:1	SHEET 1 OF 3	