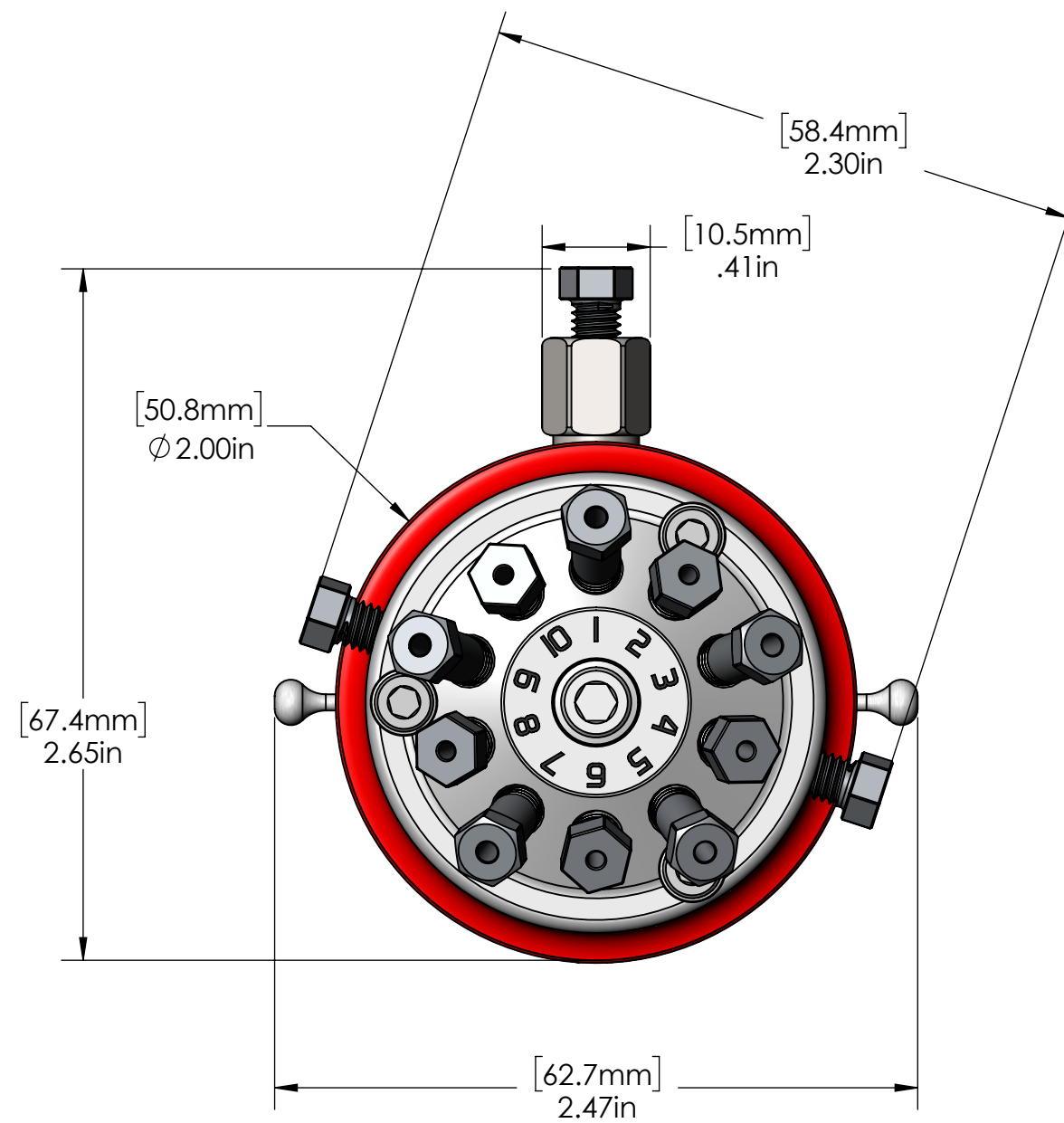
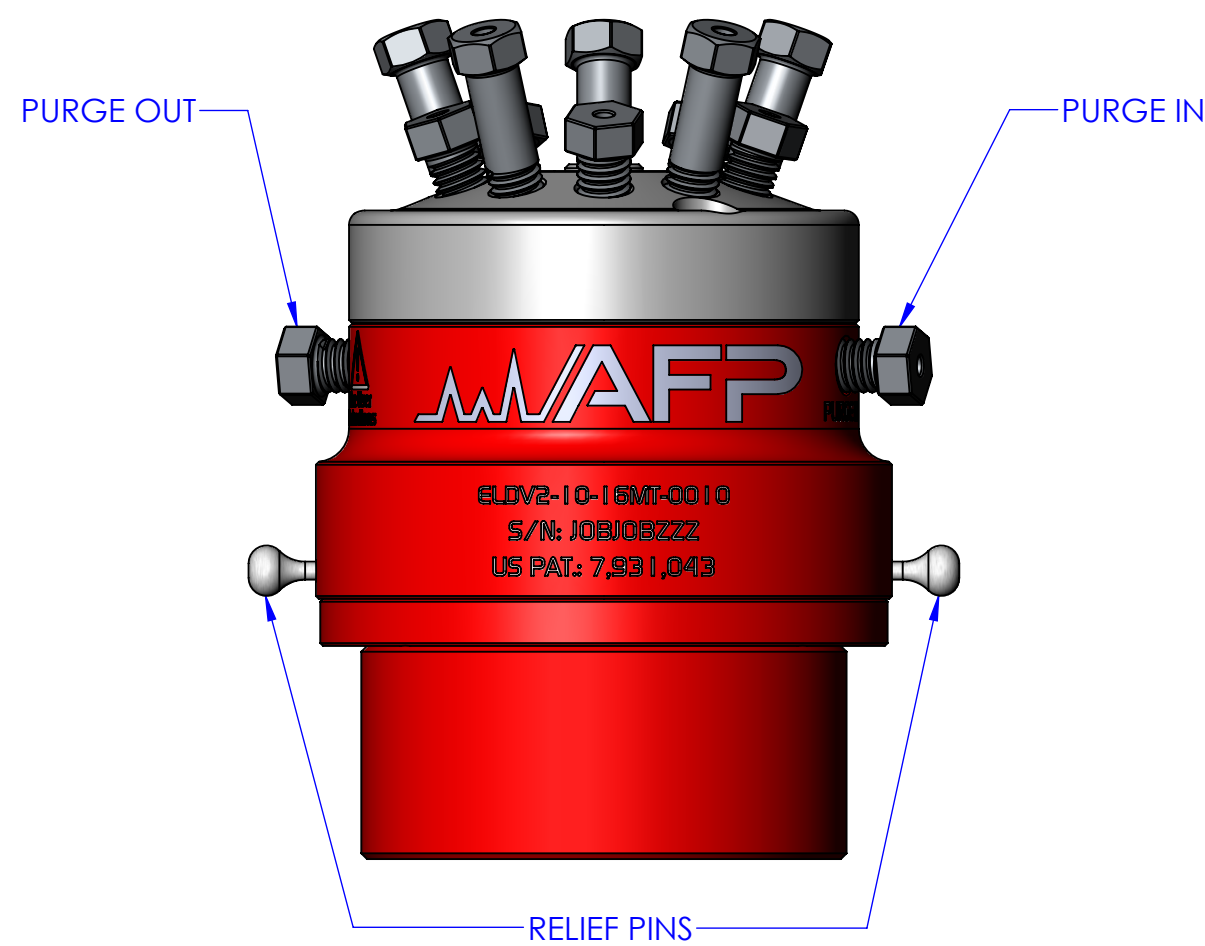
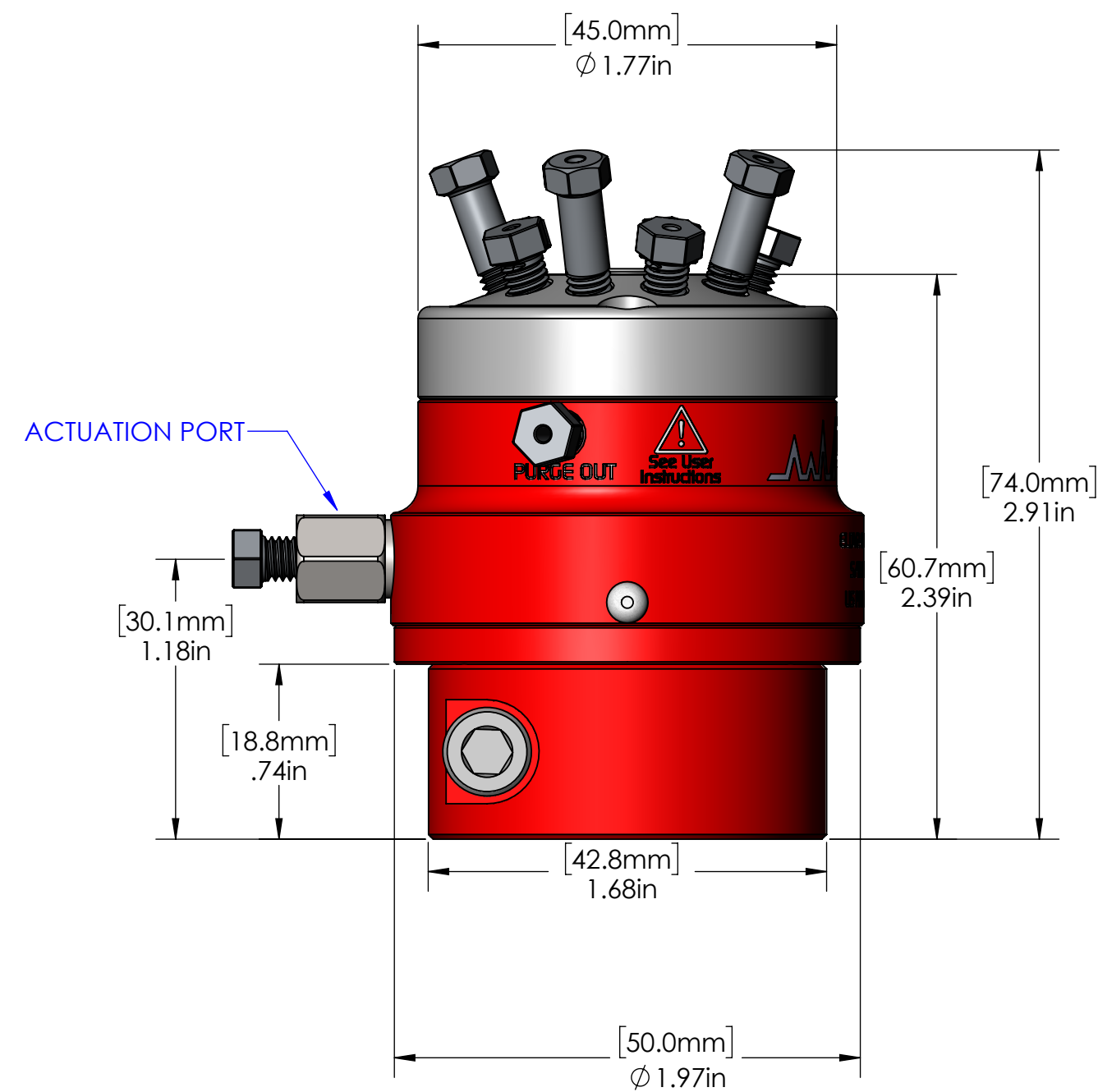
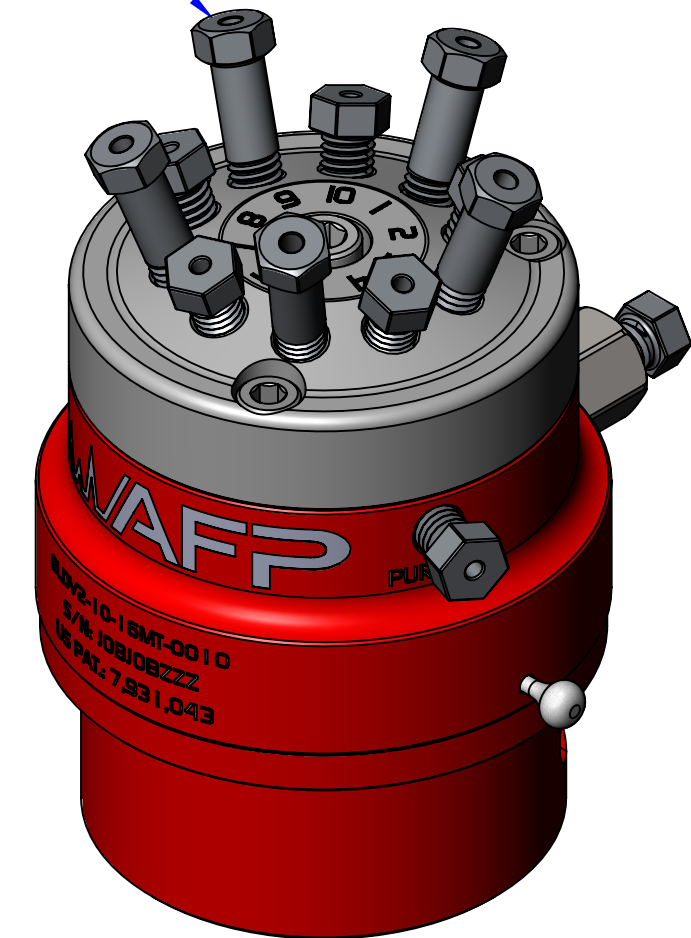


DATE	SYM	REVISION RECORD	ECO	DWN	ENG	MFG
2017-11-19	00	NEW RELEASE	0088	AC	AC	SL
2020-06-18	01	ACTUATION UPDATE	0177	JS	EB	SL





LONG NUTS ON ODD PORT #



SPECIFICATIONS:

VALVE P/N	ELD2-10-16MT-0010
VALVE TYPE	STANDARD GRADE, MED TEMPERATURE
NUMBER OF PORTS	10
PORT SIZE	0.030" [0.76 mm]
PORT CONNECTION	1/16" [1.6mm]
MAX. WORKING PRESSURE	150 PSI [1034 kPa]
MAX INITIAL LEAK RATE	1.4E-9 Atm-cc/s He
MAX INITIAL PRESSURE DROP	15 kPa @ 75 sccm N ₂
ACTUATOR TYPE	PNEUMATIC SINGLE ACTUATION (SPRING RETURN)
ACTUATION PRESSURE	50 PSI [345 kPa]
GAS CONSUMPTION PER ACTUATION	0.07 in ³ [1.15 ml]
MAX. WORKING TEMPERATURE	356°F [180°C]
MATERIAL	ALUMINUM BODY SS-316L VALVE HEAD AFPD-2 DIAPHRAGM TYPE

MATERIAL:	2659, boul. du Parc Technologique, Quebec, Quebec, CANADA G1P 4S5				
	 Tel: 418-338-0004 Fax: 418-338-2500 Email: info@afproducts.ca Web: www.afproducts.ca				
FINISH:	X	DESCRIPTION: ELD2-10 MT 50psig Act			
 ACCORDANCE WITH LATEST ASME Y14.5		UNIT	SIZE	DWG. NO.	REV.
PROPRIETARY INFORMATION THIS DRAWING IS THE PROPERTY OF APN-AFP INC. IT IS RETURNABLE UPON REQUEST AND MUST NOT BE REPRODUCED OR THE INFORMATION CONTAINED HEREIN TRANSMITTED TO ANY UNAUTHORIZED PERSON OR ORGANIZATION WITHOUT THE WRITTEN CONSENT OF APN-AFP INC.		IN	C	ELD2-10-16MT-0010	01
		SCALE	1.5:1	SHEET	1 OF 3