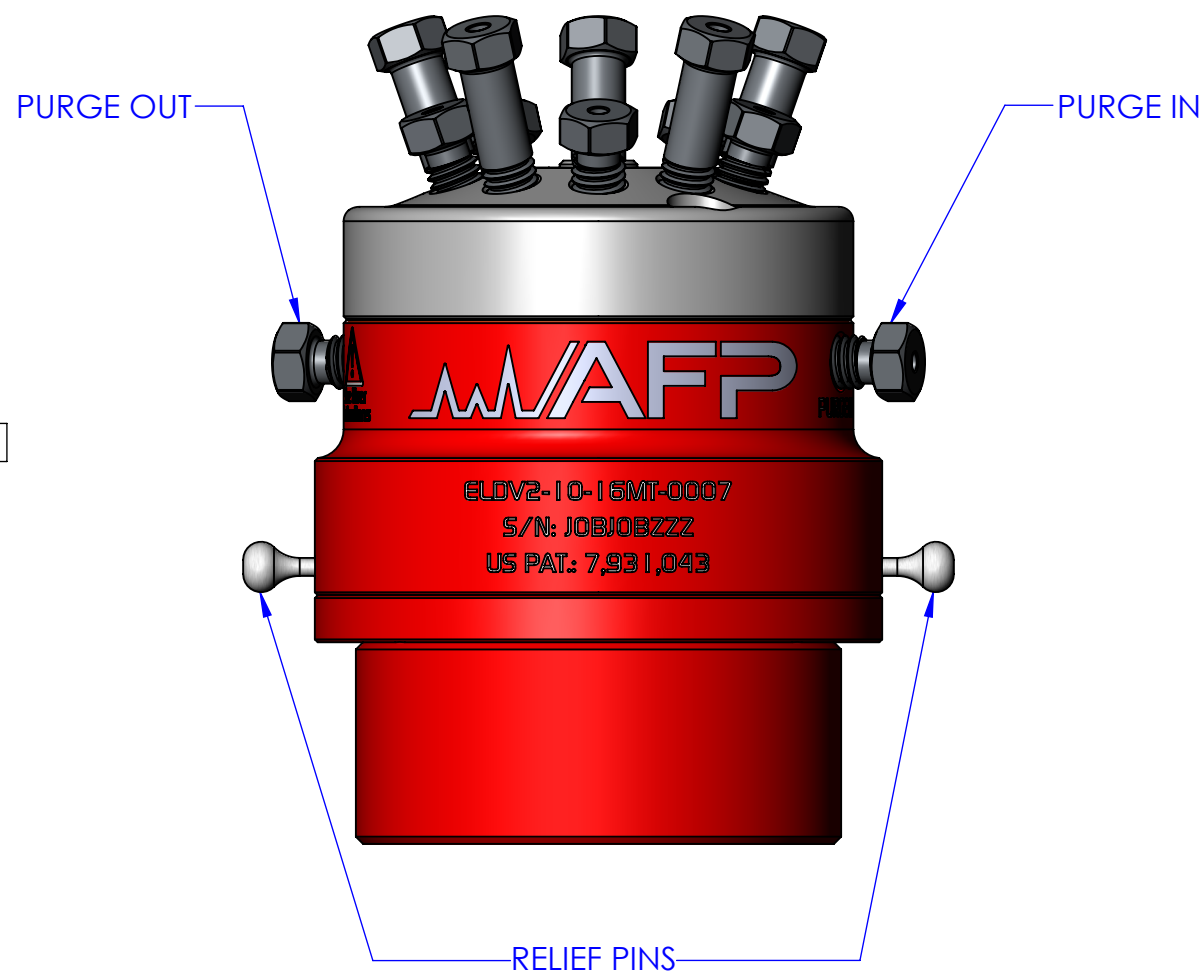
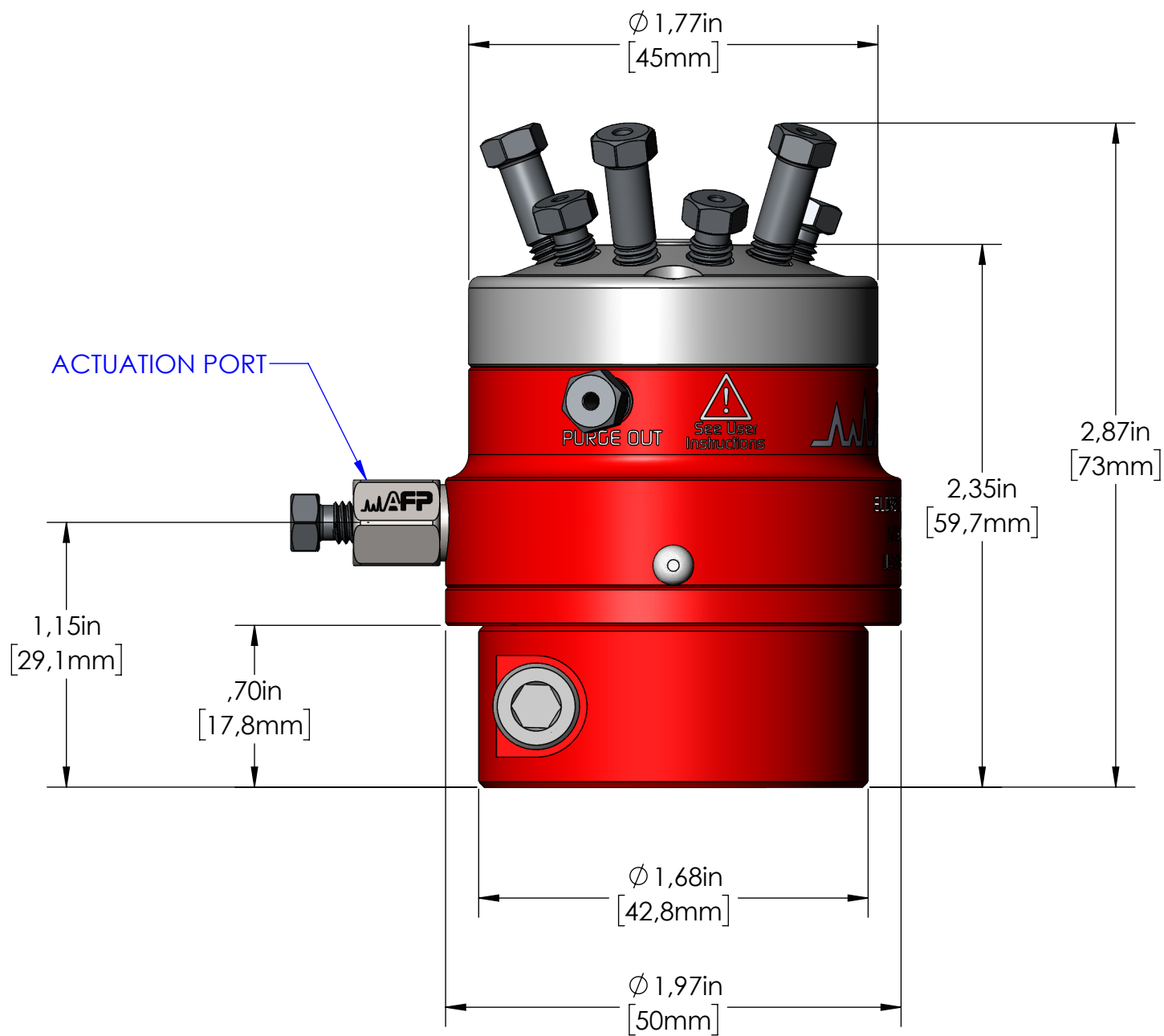
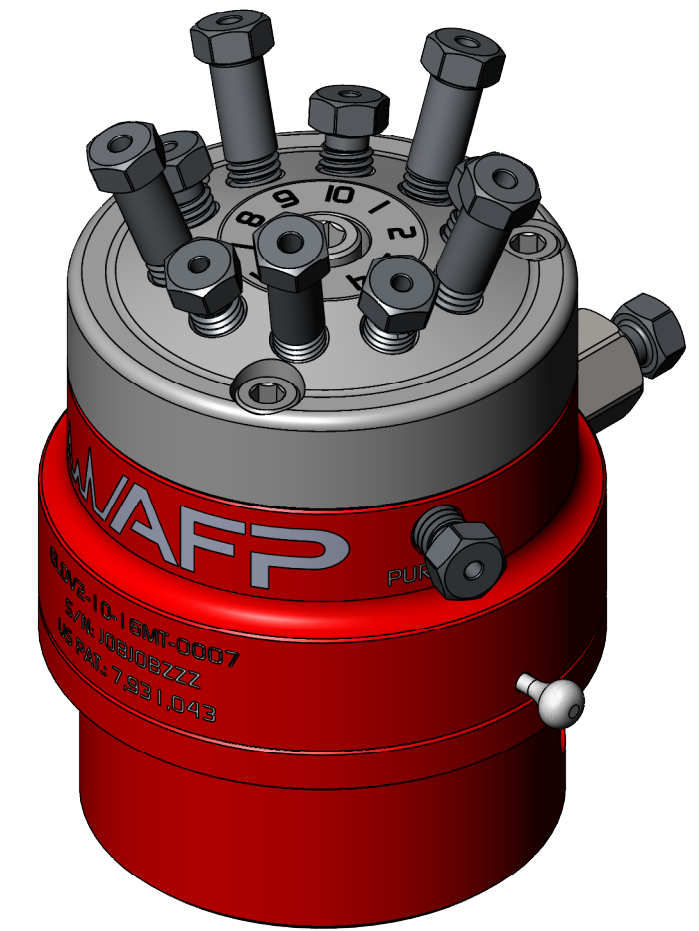
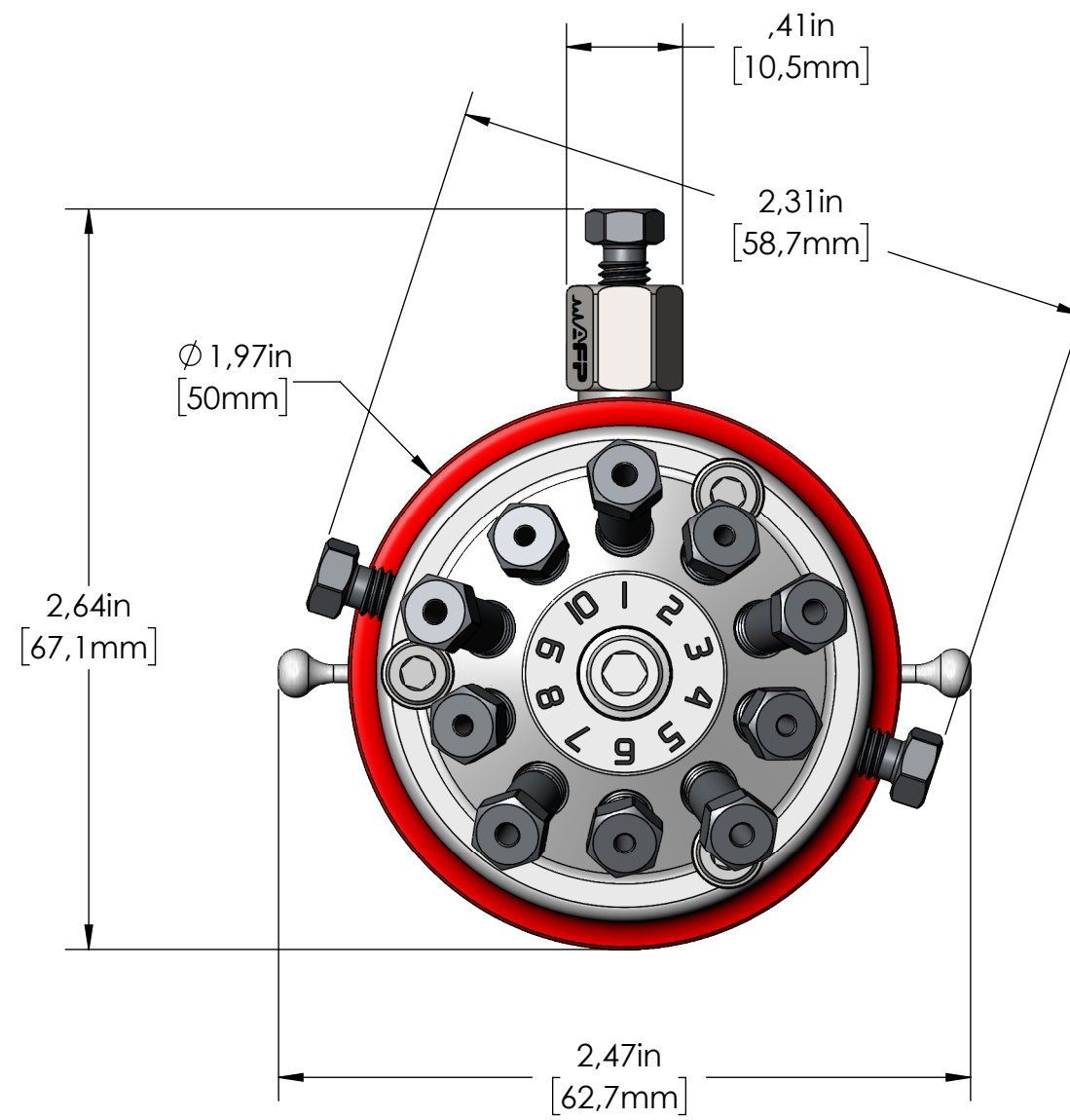



DATE	SYM	REVISION RECORD	ECO	DWN	ENG	MFG
2017-11-05	00	INITIAL RELEASE	0088	DB	AC	SL
2019-01-25	01	COMPONENT UPDATE	0107	AC	AC	SL



SPECIFICATIONS:

VALVE P/N	ELDV2-10-16MT-0007
VALVE TYPE	HIGH PERFORMANCE GRADE, MEDIUM TEMPERATURE
NUMBER OF PORTS	10
PORT SIZE	0.030" [0.76 mm]
PORT CONNECTION	1/16" [1.6 mm]
MAX. WORKING PRESSURE	300 psig [2070 kPa]
MAX. INITIAL LEAK RATE	4.1E-10 Atm-cc/s He
MAX. INITIAL PRESSURE DROP	30 kPa @ 75 sccm N ₂ , 15 kPa max. between any sections
ACTUATOR TYPE	PNEUMATIC SINGLE ACTUATION (SPRING RETURN)
ACTUATION PRESSURE	65 psig [450 kPa]
GAS CONSUMPTION PER ACTUATION	0.07 in ³ [1.15 ml]
MAX. WORKING TEMPERATURE	356°F [180°C]
MATERIAL	ALUMINUM BODY SS-316L VALVE HEAD AFPD-2 DIAPHRAGM TYPE

MATERIAL:	FINISH:	2659, boul. du Parc Technologique, Québec, CANADA G1P 4S5			
		 Tel.: 418-338-0004 Fax: 418-338-2500 Email: info@afproducts.ca Web: www.afproducts.ca			
ACCORDANCE WITH LATEST ASME Y14.5		DESCRIPTION: 10 PORTS MEDIUM TEMP. MIX NUTS			
PROPRIETARY INFORMATION THIS DRAWING IS THE PROPERTY OF APN-AFP INC. IT IS RETURNABLE UPON REQUEST AND MUST NOT BE REPRODUCED OR THE INFORMATION CONTAINED HEREIN TRANSMITTED TO ANY UNAUTHORIZED PERSON OR ORGANIZATION WITHOUT THE WRITTEN CONSENT OF APN-AFP INC.	UNIT IN	SIZE C	DWG. NO. ELDV2-10-16MT-0007	REV. 01	SCALE 1,5:1
		SHEET 1 OF 3			