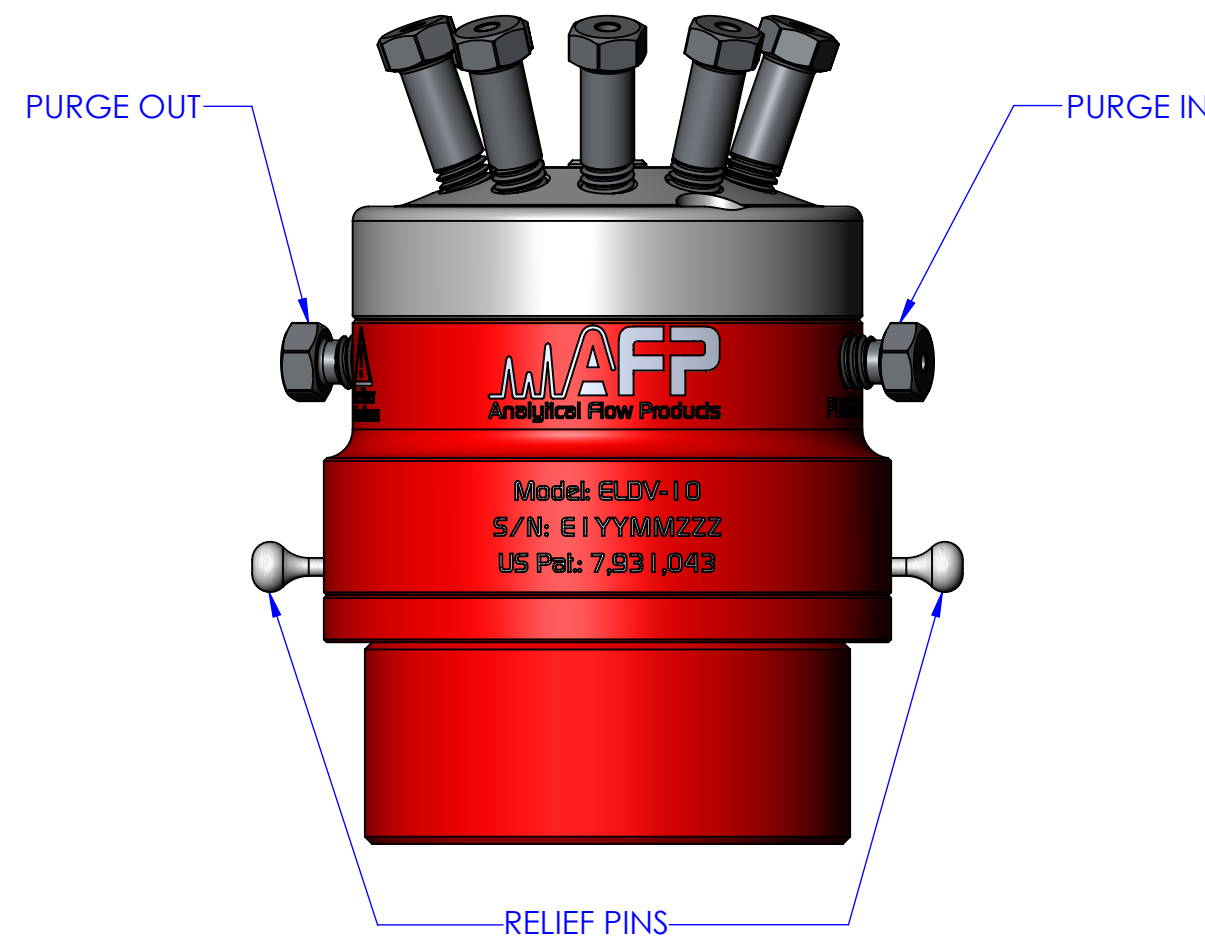
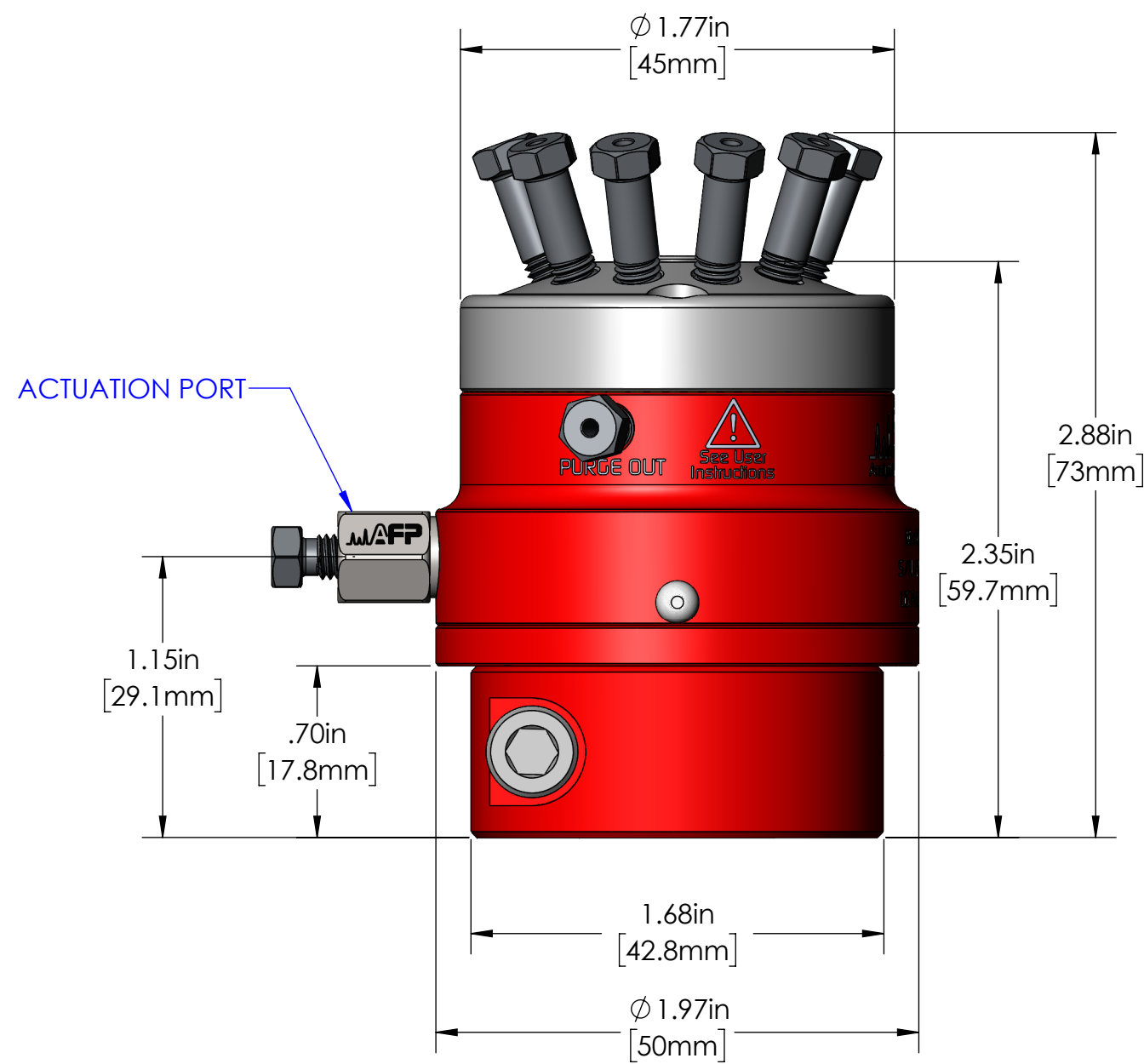
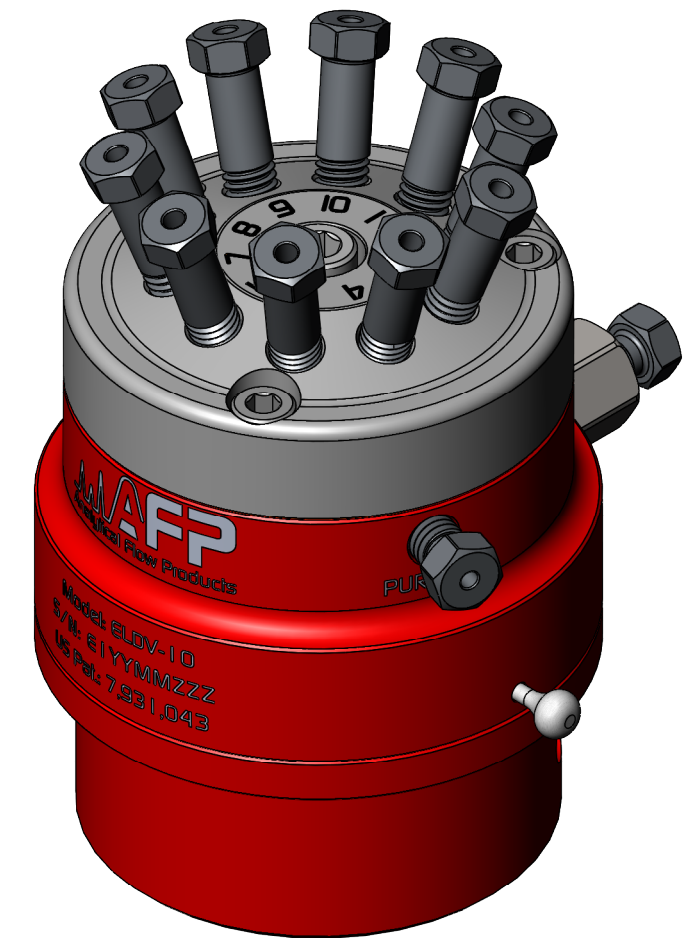
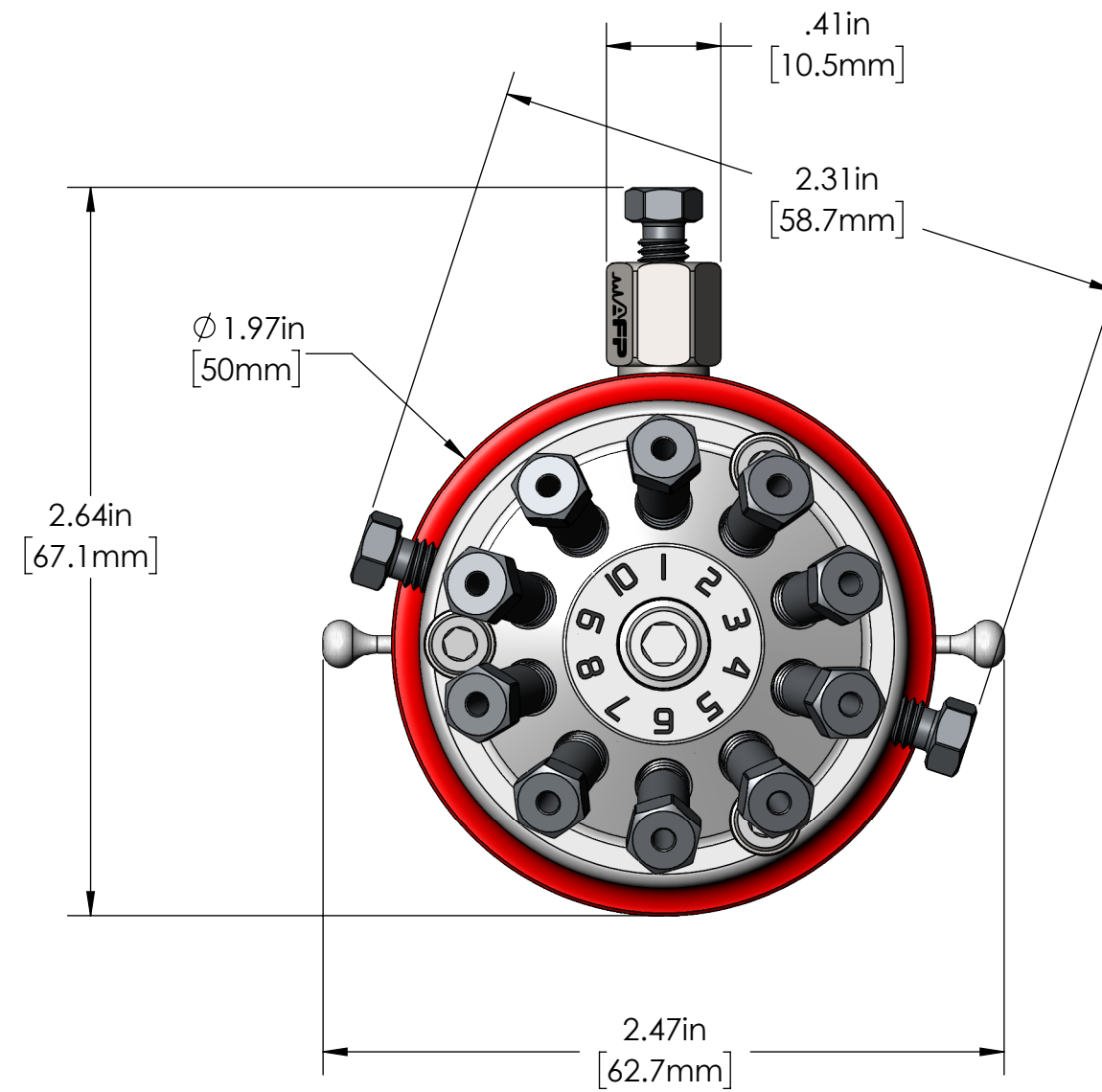


DATE	SYM	REVISION RECORD	ECO	DWN	ENG	MFG
2018-01-03	00	NEW RELEASE	0088	AC	AC	SL



SPECIFICATIONS:

VALVE P/N	ELDV2-10-16MT-0002
VALVE TYPE	HIGH PERFORMANCE GRADE, MEDIUM TEMPERATURE
NUMBER OF PORTS	10
PORT SIZE	0.030" [0.76 mm]
PORT CONNECTION	1/16" [1.6mm]
MAX. WORKING PRESSURE	300 PSI [2068 kPa]
MAX INITIAL LEAK RATE	3.7E-10 Atm-cc/s He
MAX INITIAL PRESSURE DROP	30 kPa @ 75 sccm N ₂ , 15 kPa max. between any sections
ACTUATOR TYPE	PNEUMATIC SINGLE ACTUATION (SPRING RETURN)
ACTUATION PRESSURE	65 PSI [450 kPa]
GAS CONSUMPTION PER ACTUATION	0.07 in ³ [1.1 ml]
MAX. WORKING TEMPERATURE	356°F [180°C]
MATERIAL	ALUMINUM BODY SS-316L VALVE HEAD AFPD-2 DIAPHRAGM TYPE

MATERIAL:	FINISH: X				2659, boul. du Parc Technologique, Québec, CANADA G1P 4S5 Tel.: 418-338-0004 Fax: 418-338-2500 Email: info@afproducts.ca Web: www.afproducts.ca			
	ACCORDANCE WITH LATEST ASME Y14.5		DESCRIPTION: MINI DIAPHRAGM VALVE GROOVED 10 PORTS (MEDIUM TEMPERATURE)		DRAWN DATE ENG DATE MFG DATE APPROVED DATE			
PROPRIETARY INFORMATION THIS DRAWING IS THE PROPERTY OF AFP INC. IT IS RETURNABLE UPON REQUEST AND MUST NOT BE REPRODUCED OR THE INFORMATION CONTAINED HEREIN TRANSMITTED TO ANY UNAUTHORIZED PERSON OR ORGANIZATION WITHOUT THE WRITTEN CONSENT OF AFP INC.			DB	2017-11-05	UNIT	SIZE	DWG. NO.	REV.
			IN	C	SCALE	1.5:1	ELDV2-10-16MT-0002	00
			SHEET		1 OF		2	