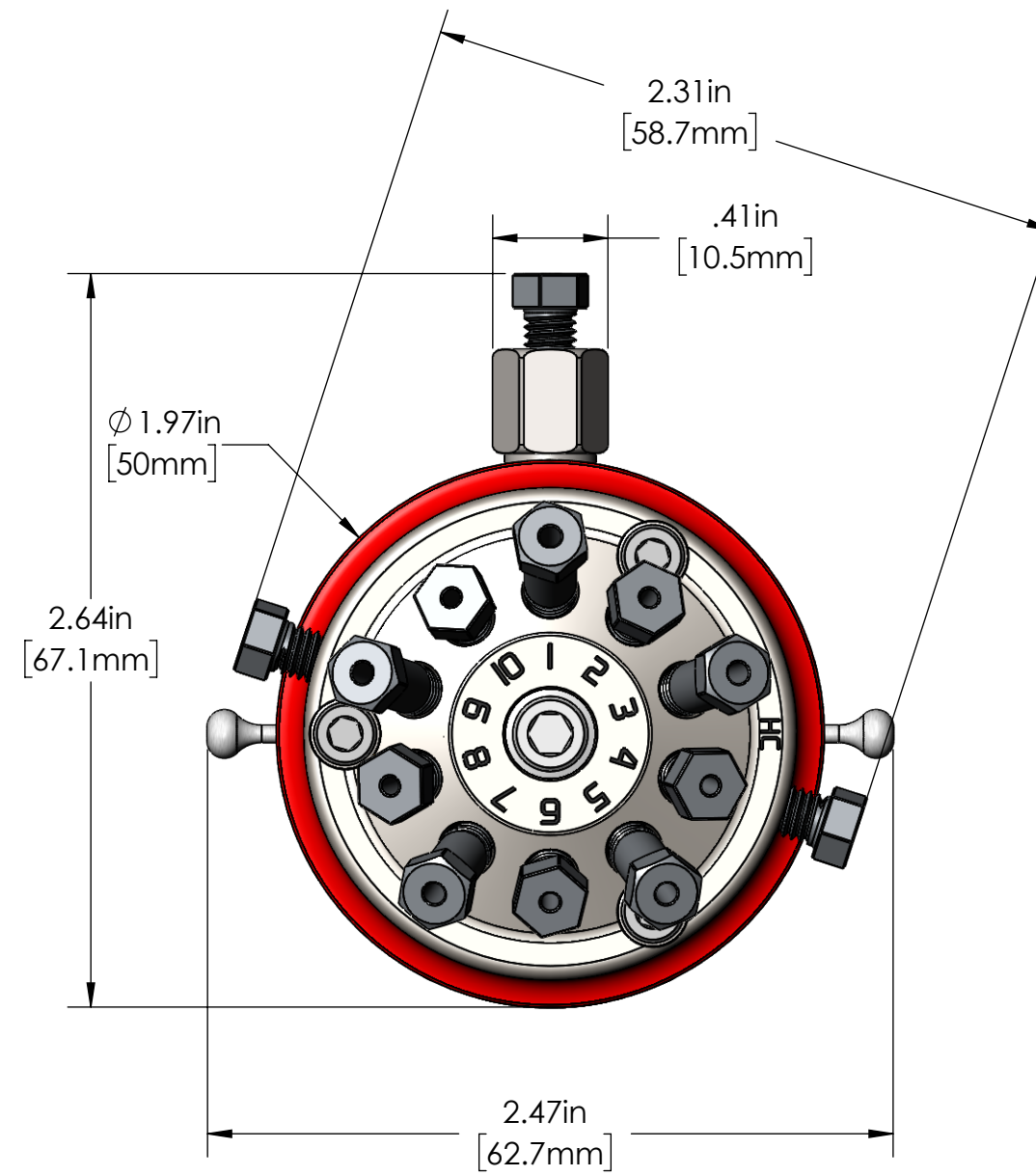
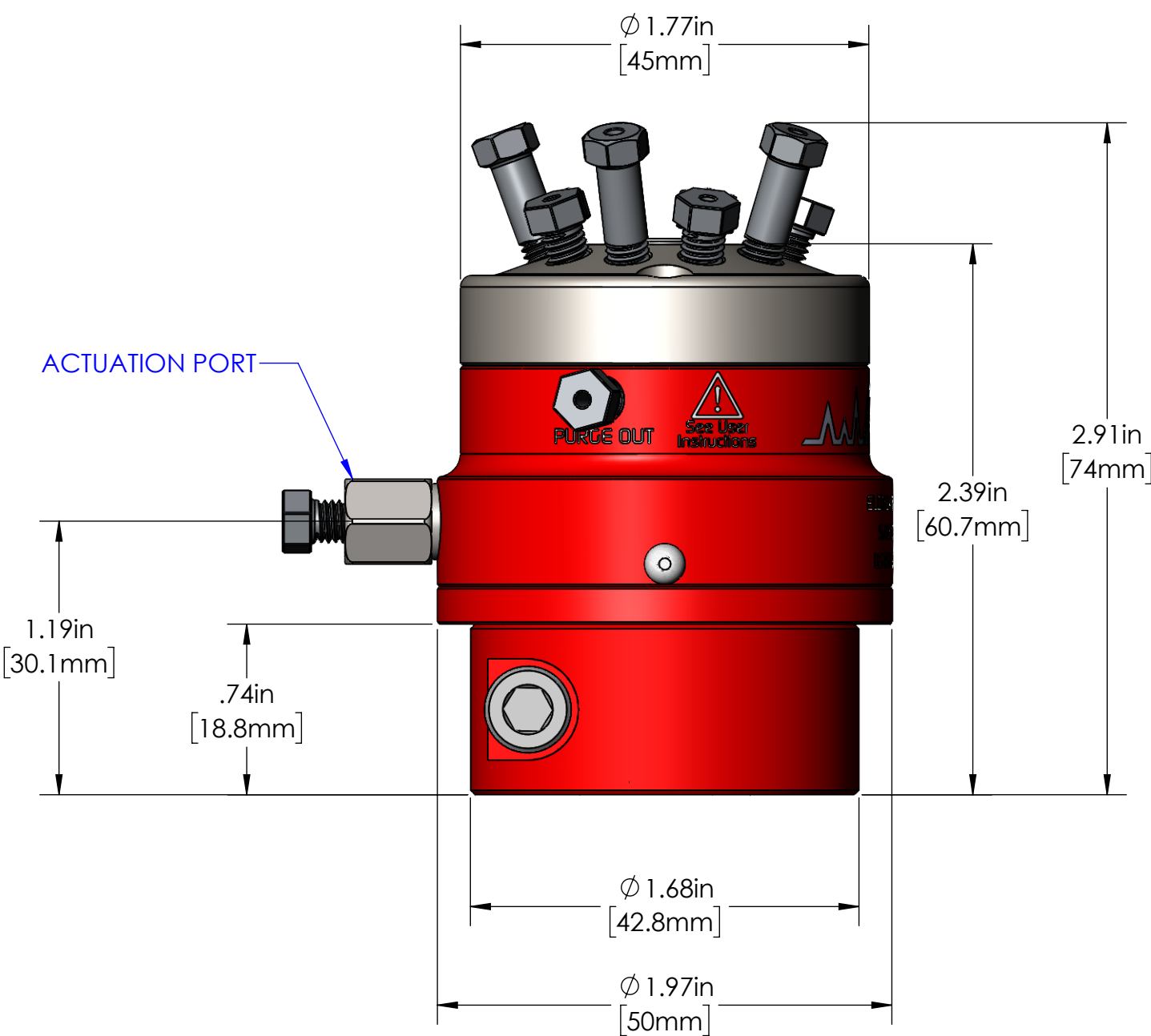
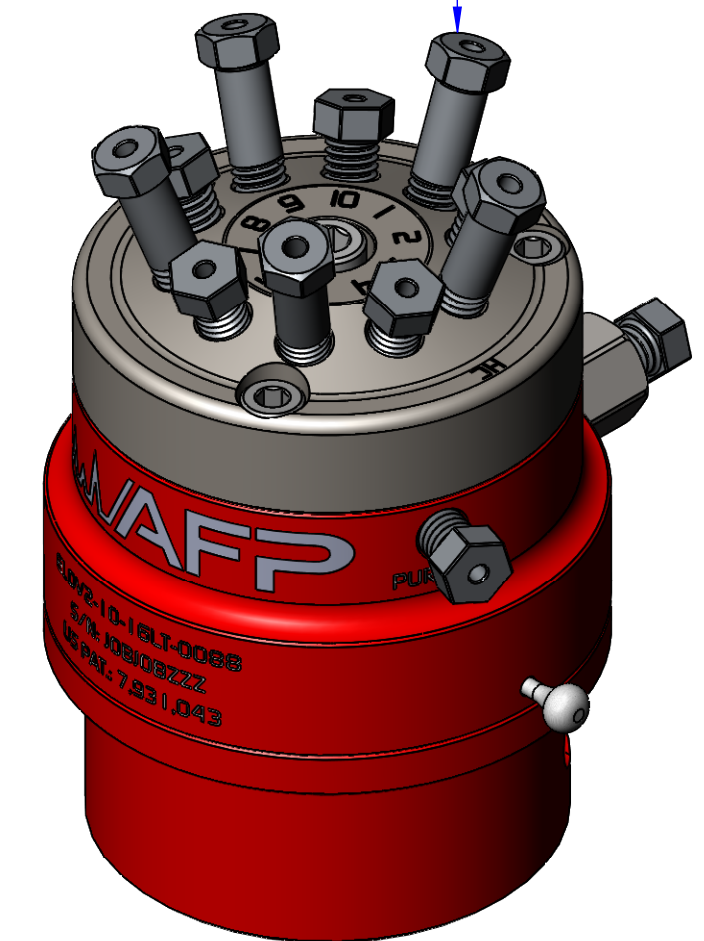


DATE	SYM	REVISION RECORD	ECO	DWN	ENG	MFG
2018-06-21	00	INITIAL RELEASE	0088	AC	AC	SL
2020/10/14	01	COMPONENT UPDATE	0150	JS	EB	SL

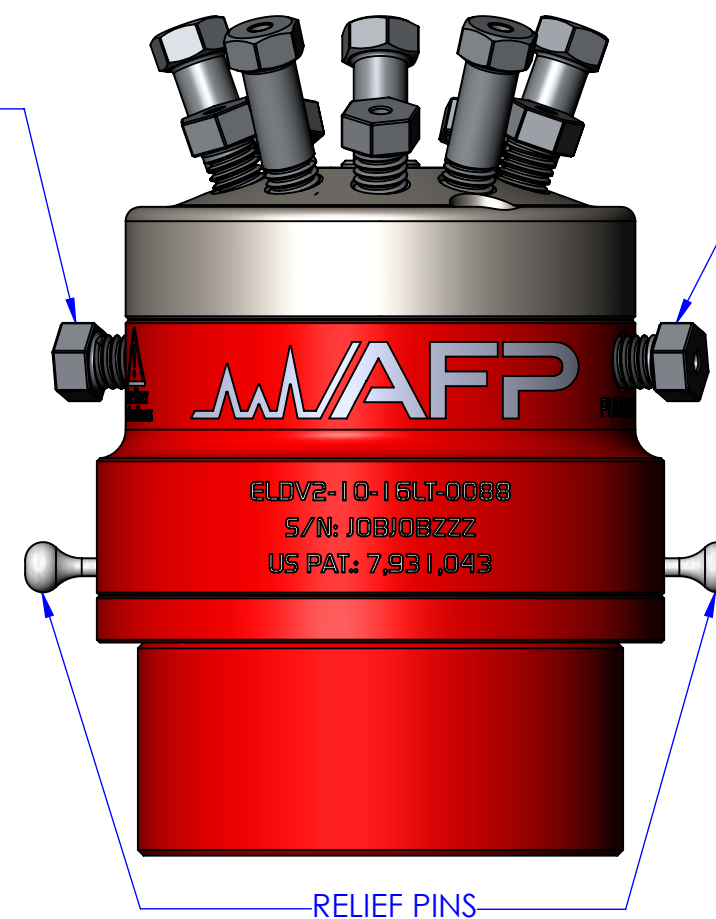


LONG NUTS ON ODD PORT #



PURGE OUT

PURGE IN



RELIEF PINS

SPECIFICATIONS:

VALVE P/N	ELDV2-10-16LT-0088
VALVE TYPE	HIGH PERFORMANCE GRADE, LOW TEMPERATURE
NUMBER OF PORTS	10
PORT SIZE	0.030" [0.76 mm]
PORT CONNECTION	1/16" [1.6 mm]
MAX. WORKING PRESSURE	150 PSI [1035 kPa]
MAX. INITIAL LEAK RATE	1.5E-9 Atm-cc/s He
MAX. INITIAL PRESSURE DROP	10 kPa @ 75 sccm N ₂ , 3 kPa max. between any sections
ACTUATOR TYPE	PNEUMATIC SINGLE ACTUATION (SPRING RETURN)
ACTUATION PRESSURE	50 PSI [345 kPa]
GAS CONSUMPTION PER ACTUATION	0.07 in ³ [1.15 ml]
MAX. WORKING TEMPERATURE	212°F [100°C]
MATERIAL	ALUMINUM BODY HASTELLOY VALVE HEAD AFPD-1 DIAPHRAGM TYPE

MATERIAL:	FINISH:	<p>2659, boul. du Parc Technologique, Quebec, CANADA G1P 4S5 Tel: 418-338-0004 Fax: 418-338-2500 Email: info@alproducts.ca Web: www.alproducts.ca</p>	DESCRIPTION: LOW TEMP, HASTELLOY, 50PSIG ACT
UNIT IN	SIZE C	DWG. NO. ELDV2-10-16LT-0088	REV. 01
SCALE 1.5:1		SHEET 1 OF 3	