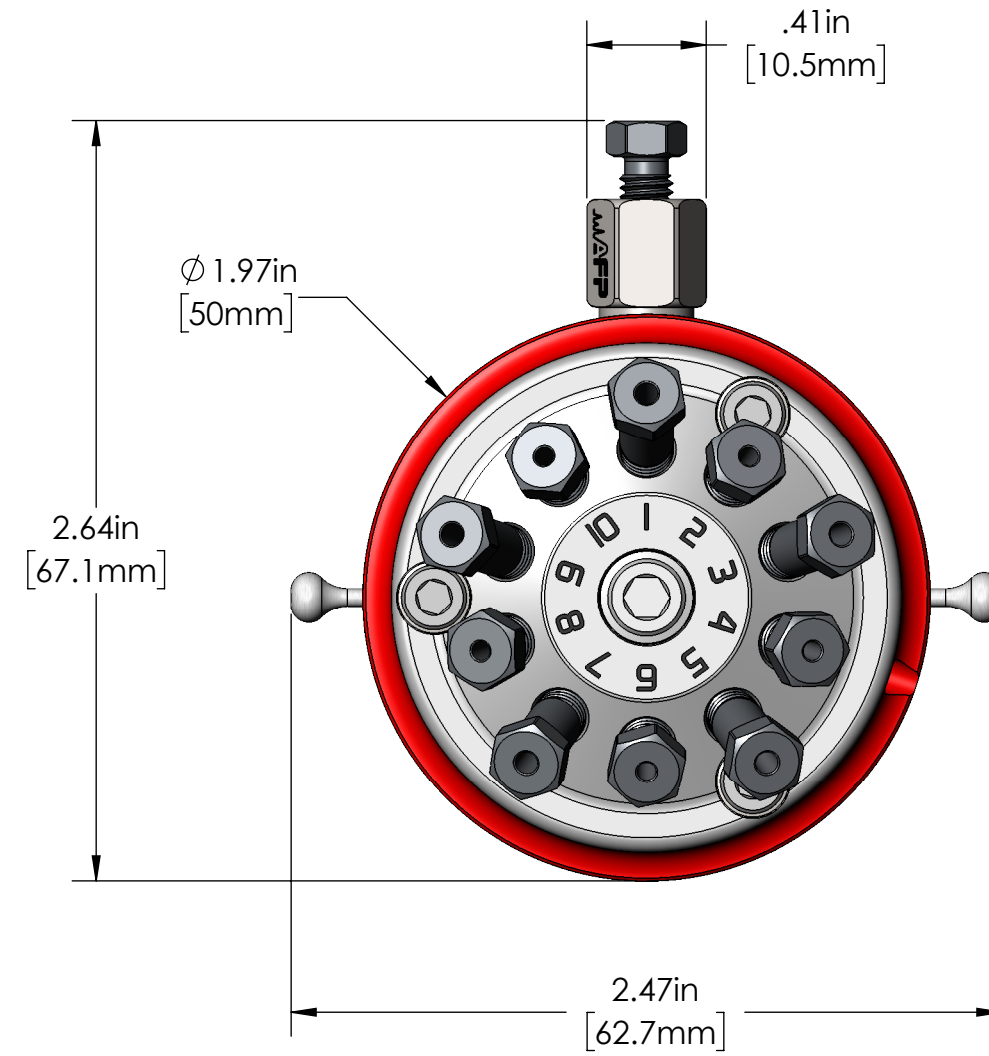
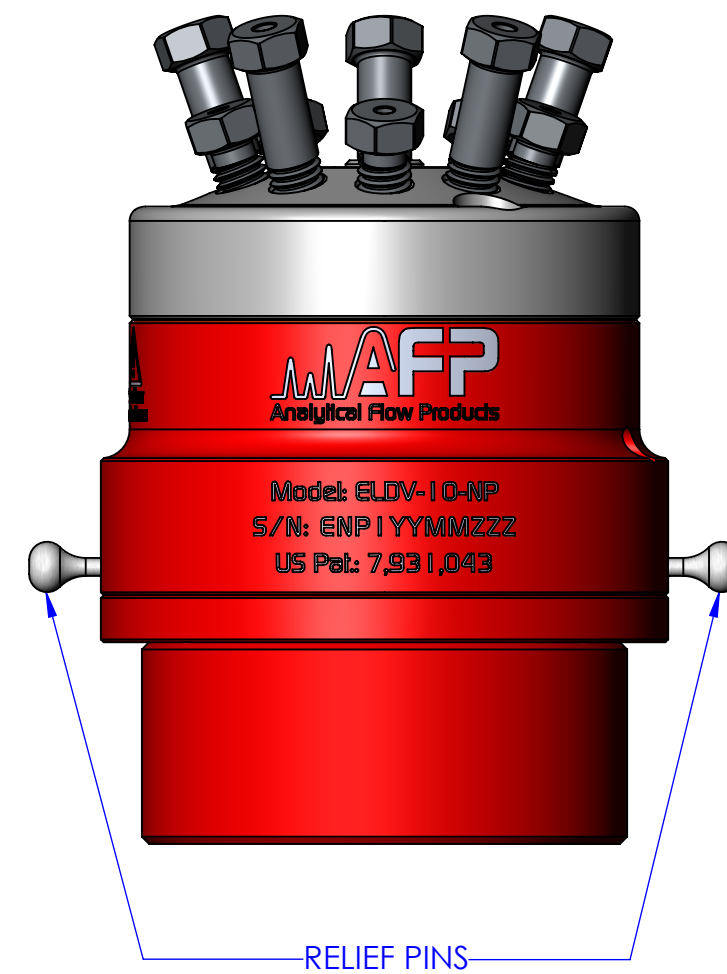
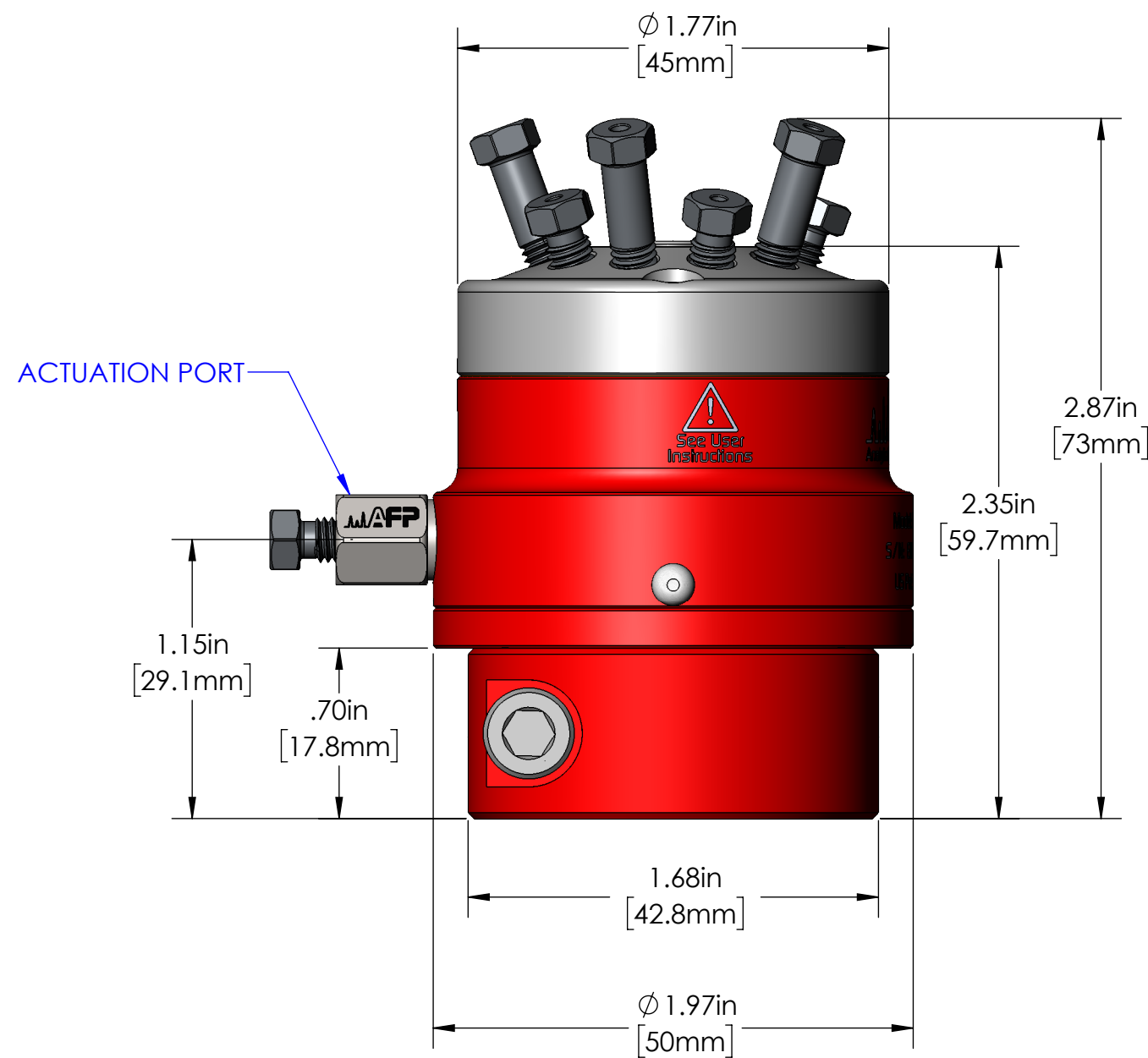
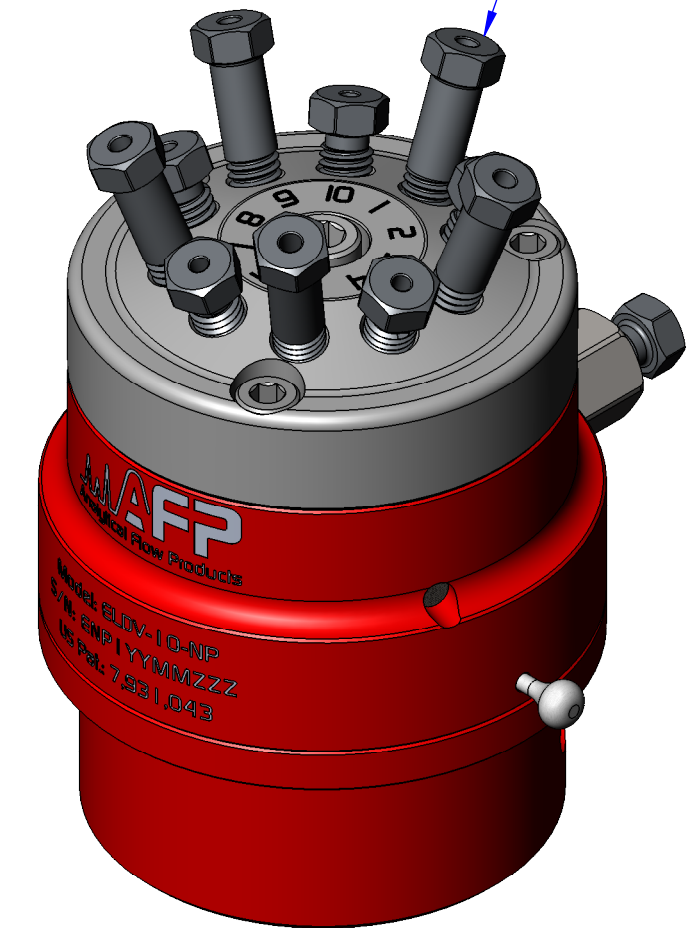


DATE	SYM	REVISION RECORD	ECO	DWN	ENG	MFG
2017-12-19	00	NEW RELEASE	0088	AC	AC	SL




LONG NUTS ON ODD PORT #



SPECIFICATIONS:

VALVE P/N	ELD2-10-16LT-0030
VALVE TYPE	HIGH PERFORMANCE GRADE, LOW TEMPERATURE
NUMBER OF PORTS	10
PORT SIZE	0.030" [0.76 mm]
PORT CONNECTION	1/16" [1.6 mm]
MAX. WORKING PRESSURE	300 PSI [2068 kPa]
MAX. INITIAL LEAK RATE	3.7E-10 Atm-cc/s He
MAX. INITIAL PRESSURE DROP	10 kPa @ 75 sccm N ₂ , 3 kPa Max. between any sections
ACTUATOR TYPE	PNEUMATIC SINGLE ACTUATION (SPRING RETURN)
ACTUATION PRESSURE	65 PSI [449 kPa]
GAS CONSUMTION PER ACTUATION	0.07 in ³ [1.15 ml]
MAX. WORKING TEMPERATURE	212°F [100°C]
MATERIAL	ALUMINUM BODY SS-316L VALVE HEAD AFPD-1 DIAPHRAGM TYPE

PROPRIETARY INFORMATION THIS DRAWING IS THE PROPERTY OF AFP INC. IT IS RETURNABLE UPON REQUEST AND MUST NOT BE REPRODUCED OR THE INFORMATION CONTAINED HEREIN TRANSMITTED TO ANY UNAUTHORIZED PERSON OR ORGANIZATION WITHOUT THE WRITTEN CONSENT OF AFP INC.	MATERIAL:	 Analytical Flow Products 2659, boul. du Parc Technologique, Quebec, CANADA G1P 4S5 Tel: 418-338-0004 Fax: 418-338-2500 Email: info@afproducts.ca Web: www.afproducts.ca
	FINISH: X	
ACCORDANCE WITH LATEST ASME Y14.5	DESCRIPTION: MINI DIAPHRAGM VALVE 10 PORTS (NO PURGE, LOW TEMPERATURE)	
DRAWN: DB DATE: 05-19-2015	DATE: MFG DATE: APPROVED	REV. 00
UNIT: IN SIZE: C SCALE: 1.5:1	DWG. NO.: ELD2-10-16LT-0030 SHEET 1 OF 2	