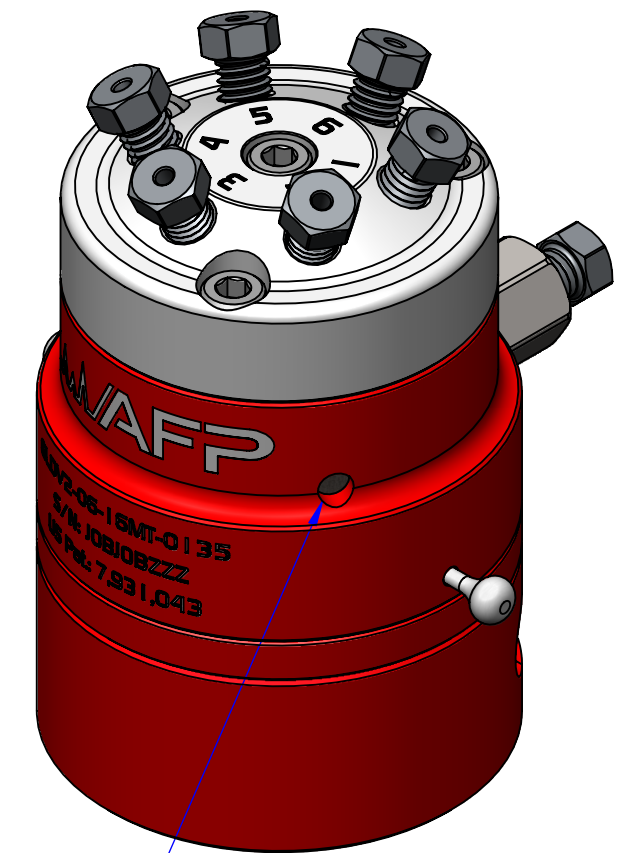
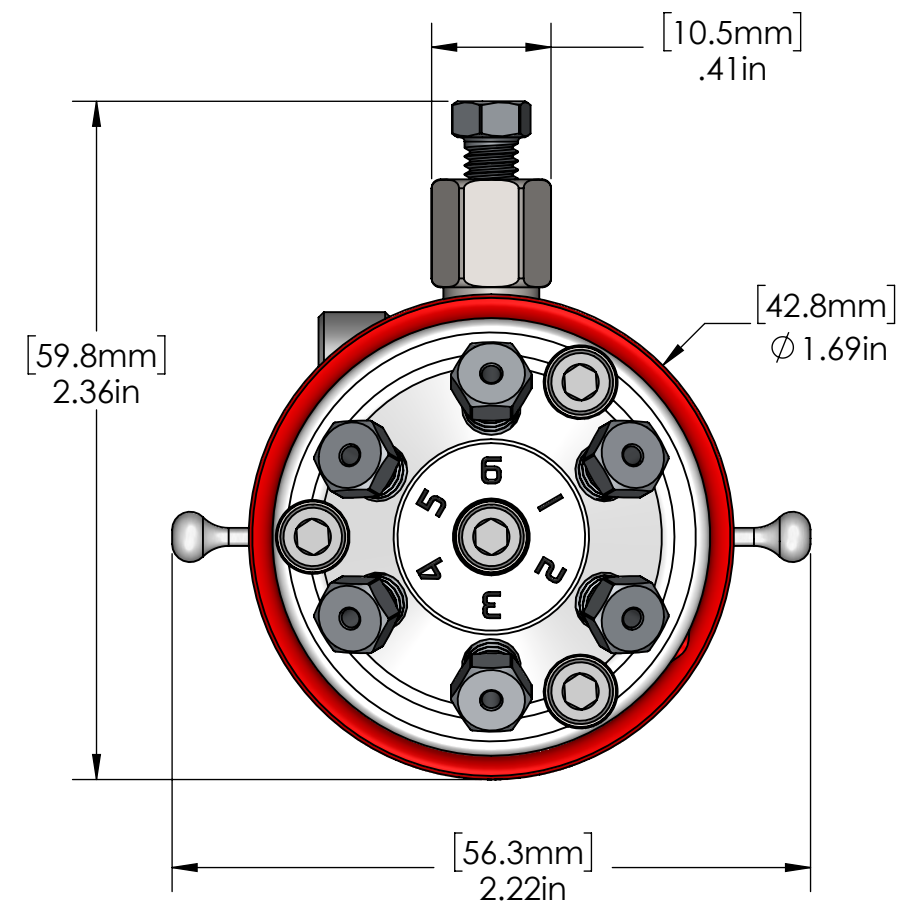
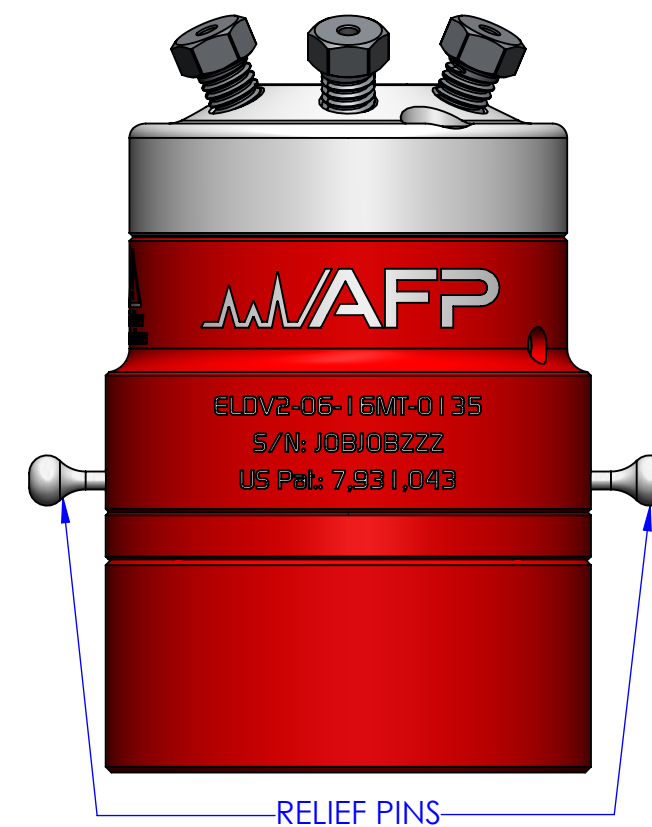


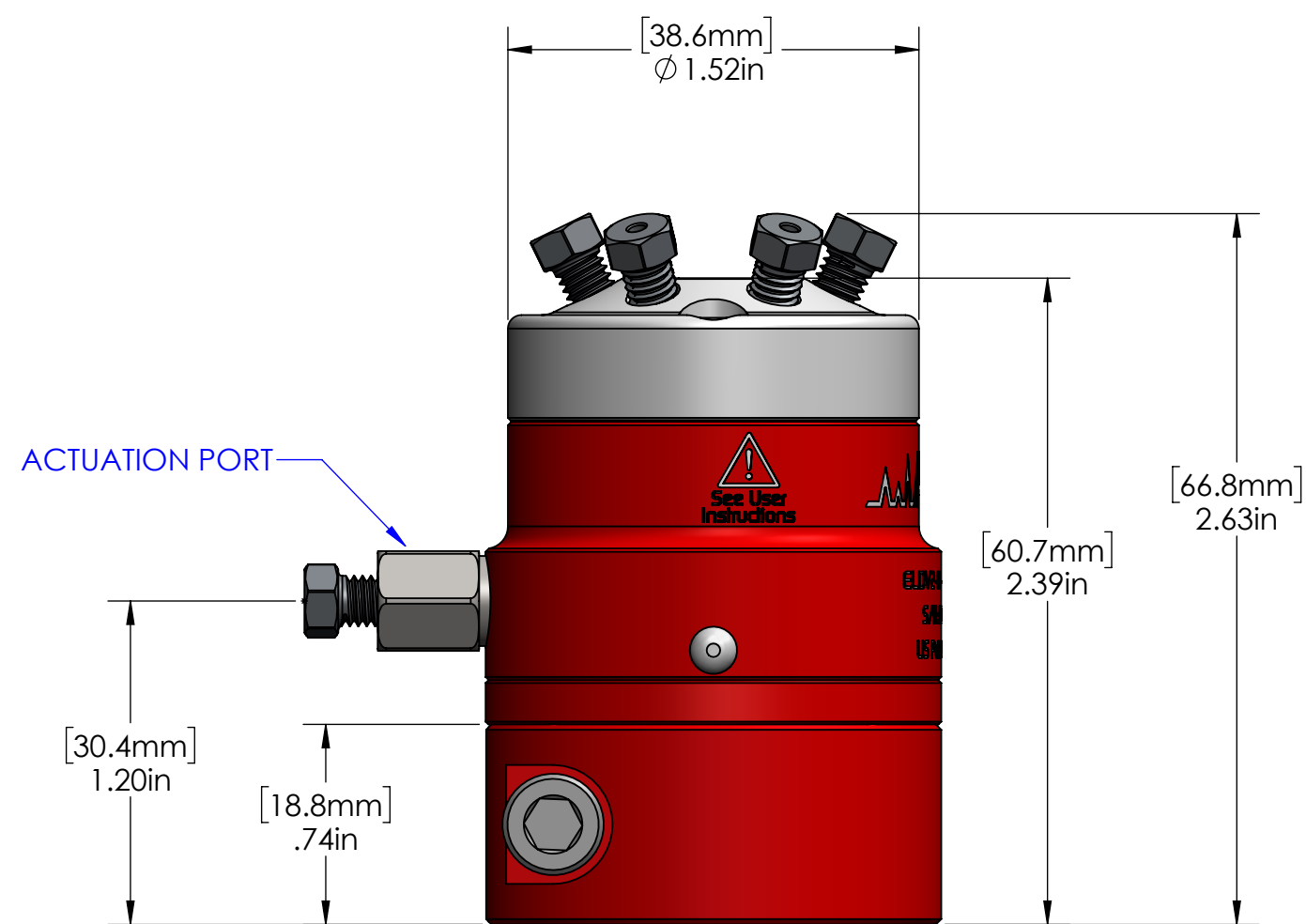
DATE	SYM	REVISION RECORD	ECO	DWN	ENG	MFG
2021-11-30	00	NEW RELEASE	0088	JS	EB	SL



ACTUATION VENT




RELIEF PINS



ACTUATION PORT

SPECIFICATIONS:

VALVE P/N	-----ELD2-06-16MT-0135
VALVE TYPE	-----HIGH PERFORMANCE GRADE, MEDIUM TEMPERATURE
NUMBER OF PORTS	-----6
PORT SIZE	-----0.030" [0.76 mm]
PORT CONNECTION	-----1/16" [1.6 mm]
MAX. WORKING PRESSURE	-----300 PSI [2070 kPa]
MAX. INITIAL LEAK RATE	-----10 ⁻⁸ Atm.cc/s He
MAX. INITIAL PRESSURE DROP	-----15 kPa @ 75 sccm N ₂
ACTUATOR TYPE	-----PNEUMATIC SINGLE ACTUATION (SPRING RETURN)
ACTUATION PRESSURE	-----65 PSI [448kPa]
GAS CONSUMPTION PER ACTUATION	-----0.05 in ³ [0.82 ml]
MAX. WORKING TEMPERATURE	-----356°F [180°C]
MATERIAL	-----ALUMINUM BODY SS-316L VALVE HEAD AFPD-2 DIAPHRAGM TYPE

MATERIAL:	 2659, boul. du Parc Technologique, Québec, Québec, CANADA G1P 4S5 Tel: 418-338-0004 Email: info@alproducts.ca Web: www.alproducts.ca				
				FINISH:	DESCRIPTION: MINI DIAPHRAGM VALVE 6 PORTS (MEDIUM TEMPERATURE, NO PURGE)
PROPRIETARY INFORMATION THIS DRAWING IS THE PROPERTY OF APN-AFP INC.		UNIT IN	SIZE C	DWG. NO. ELD2-06-16MT-0135	REV. 00
SCALE		1.5:1	SHEET 1 OF 3		