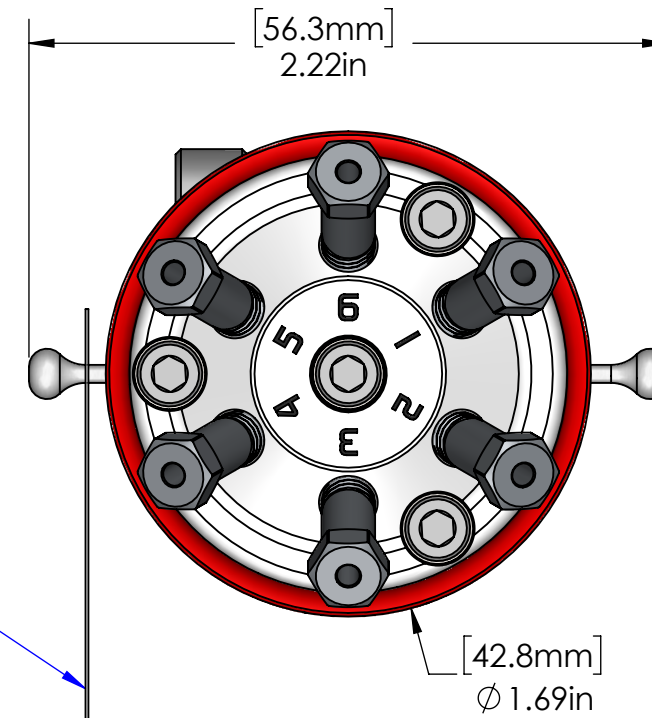
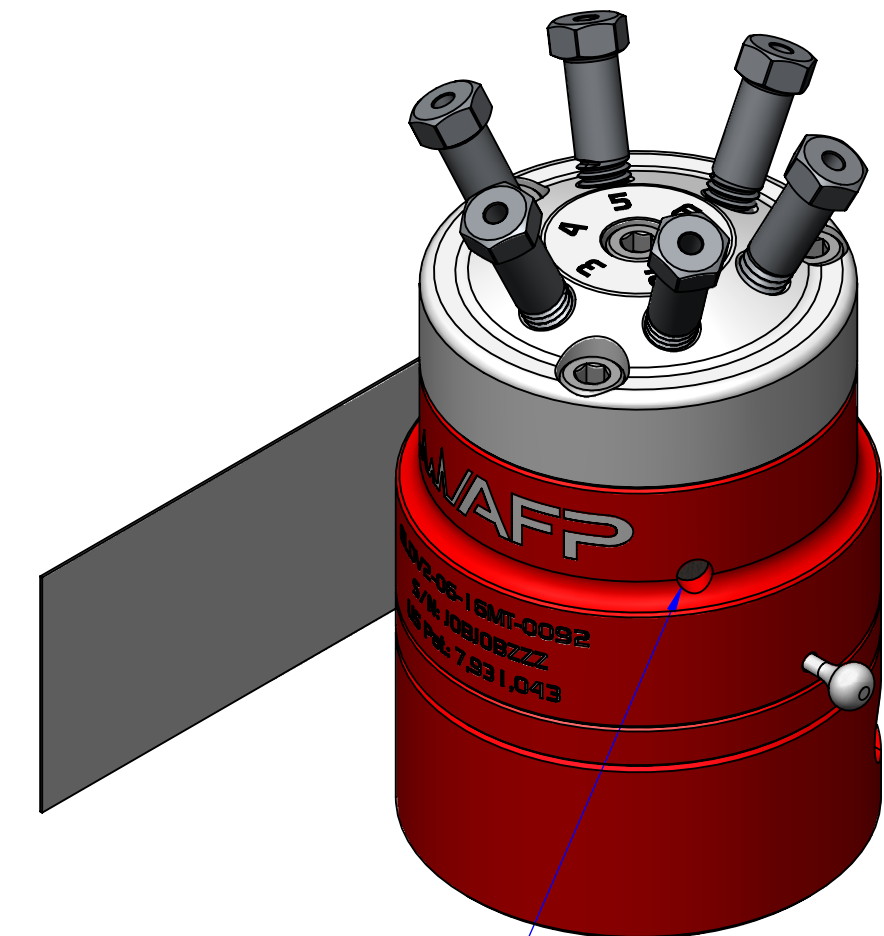


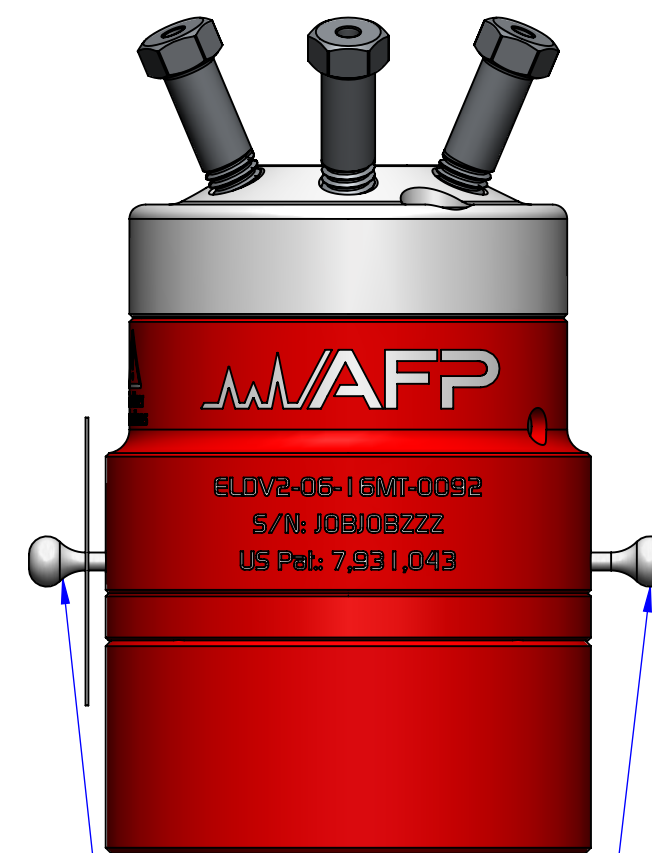
DATE	SYM	REVISION RECORD	ECO	DWN	ENG	MFG
2018-07-03	00	NEW RELEASE	0088	AC	AC	SL
2021-05-17	01	COMPONENT UPDATE	0107	JS	EB	SL



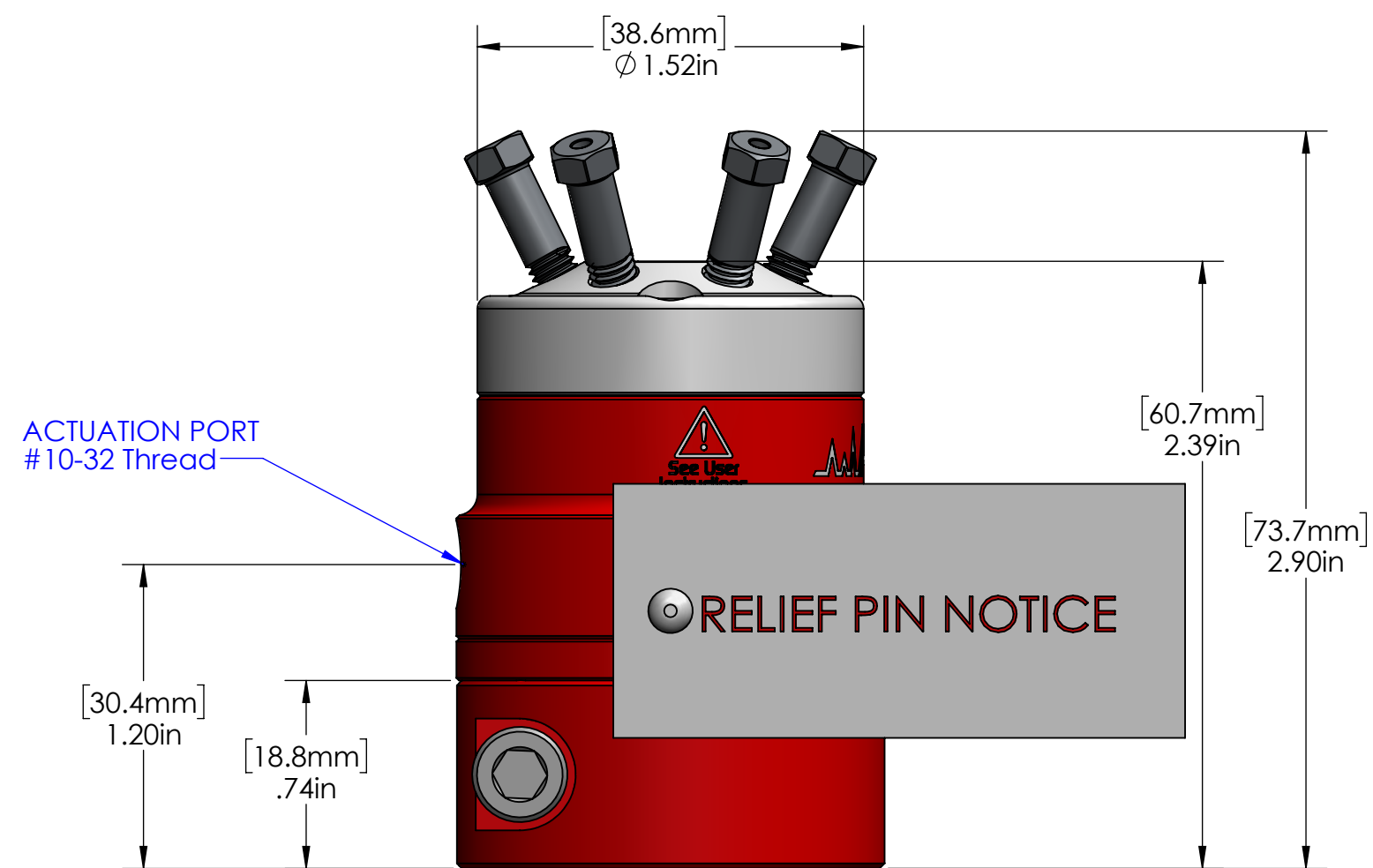
RELIEF PIN NOTICE  
(wrapped around the valve)



ACTUATION VENT



RELIEF PINS



ACTUATION PORT  
#10-32 Thread

**SPECIFICATIONS:**

VALVE P/N	ELD2-06-16MT-0092
VALVE TYPE	HIGH PERFORMANCE GRADE, MEDIUM TEMPERATURE
NUMBER OF PORTS	6
PORT SIZE	0.030" [0.76 mm]
PORT CONNECTION	1/16" [1.6 mm]
MAX. WORKING PRESSURE	300 PSI [2068 kPa]
MAX. INITIAL LEAK RATE	10 <sup>-8</sup> Atm.cc/s He
MAX. INITIAL PRESSURE DROP	30 kPa @ 75 sccm N <sub>2</sub>
ACTUATOR TYPE	PNEUMATIC SINGLE ACTUATION (SPRING RETURN)
ACTUATION PRESSURE	65 PSI [450kPa]
GAS CONSUMPTION PER ACTUATION	0.05 in <sup>3</sup> [0.82 ml]
MAX. WORKING TEMPERATURE	356°F [180°C]
MATERIAL	ALUMINUM BODY SS-316L VALVE HEAD AFPD-2 DIAPHRAGM TYPE

MATERIAL:  FINISH:  	2659, boul. du Parc Technologique, Quebec, CANADA G1P 4S5 Tel: 418-338-0004 Email: info@alproducts.ca Web: www.alproducts.ca			
	<b>DESCRIPTION:</b> MINI DIAPHRAGM VALVE 6 PORTS (MEDIUM TEMPERATURE, NO PURGE, NO ADAPTOR, RELIEF PIN NOTICE)			
PROPRIETARY INFORMATION THIS DRAWING IS THE PROPERTY OF APN-AFP INC.	UNIT <b>IN</b>	SIZE <b>C</b>	DWG. NO. ELD2-06-16MT-0092	REV. 01
SCALE 1.5:1		SHEET 1 OF 3		