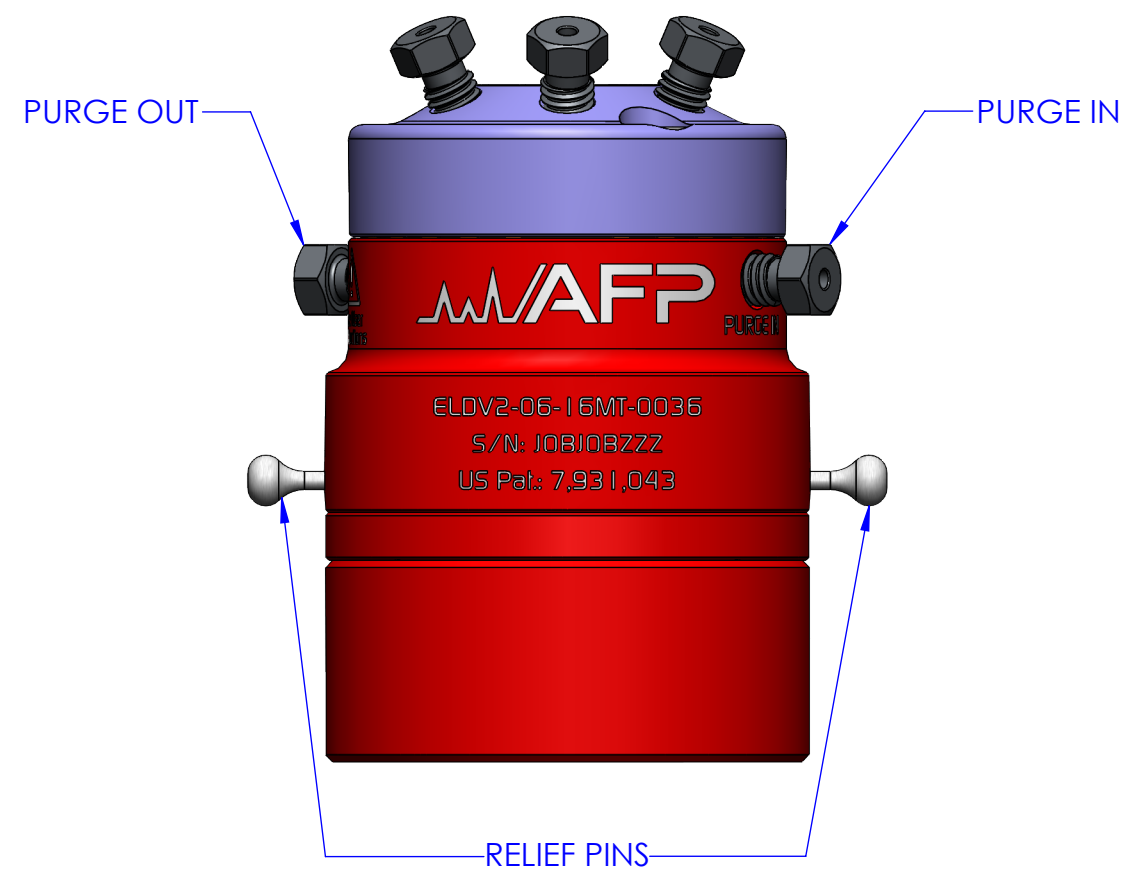
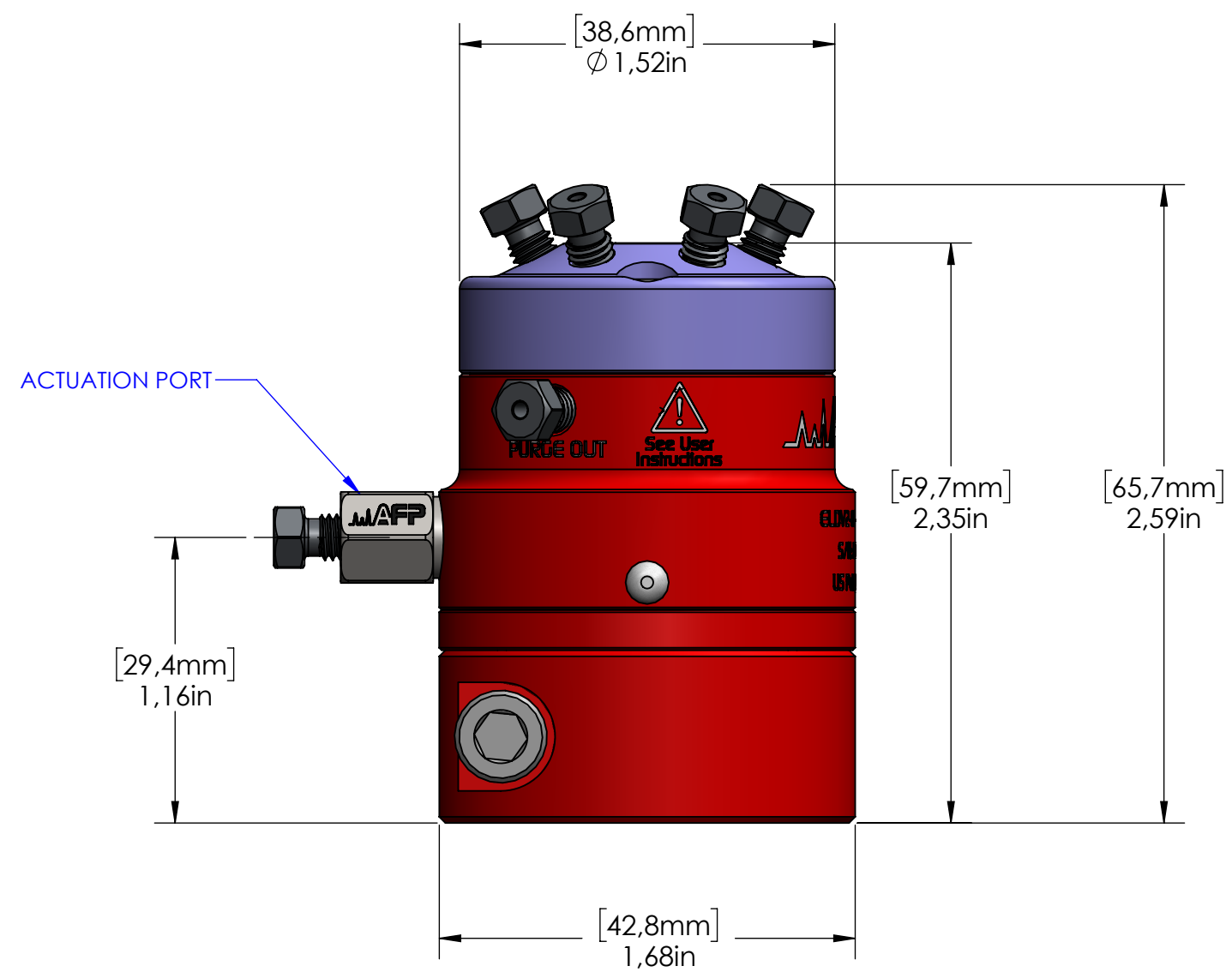
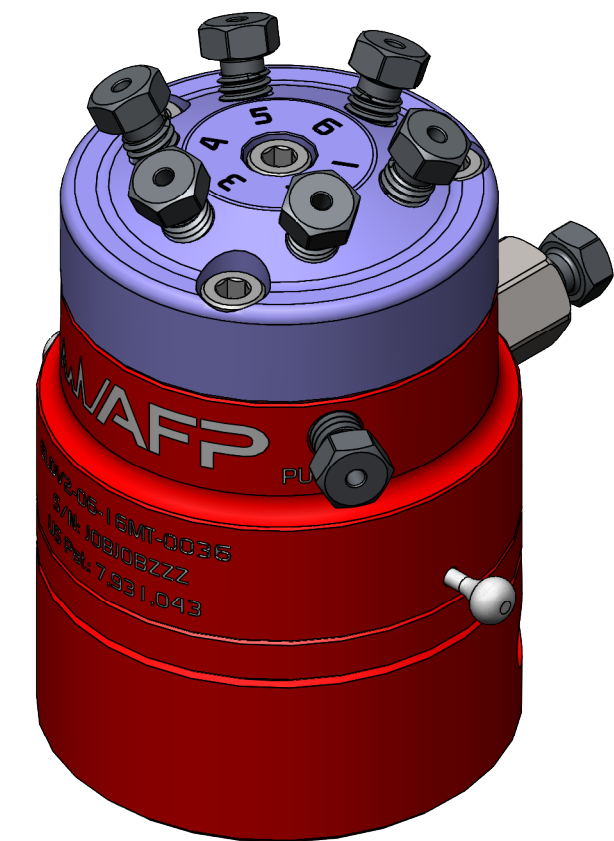
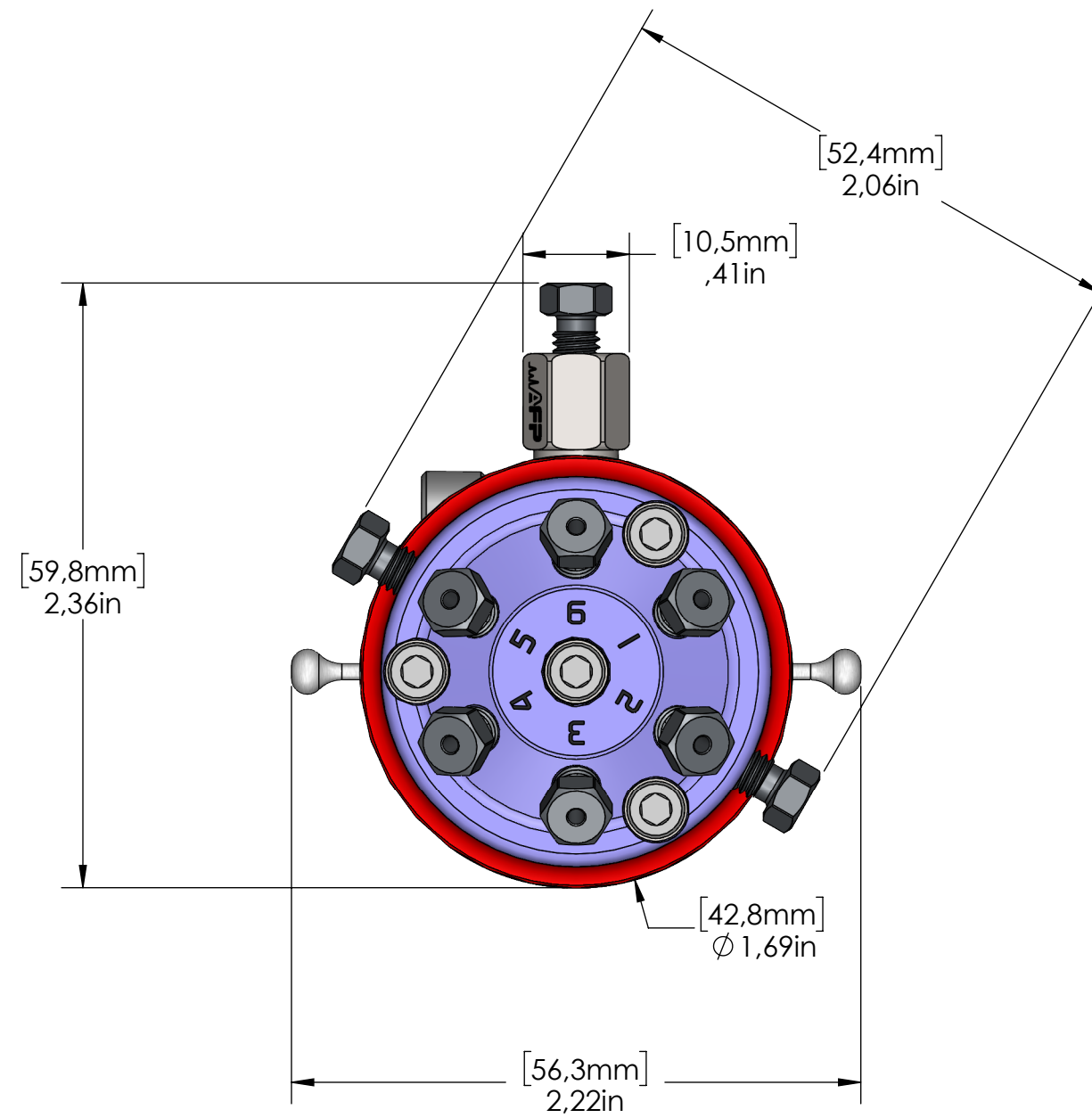




DATE	SYM	REVISION RECORD	ECO	DWN	ENG	MFG
2018-02-22	00	NEW RELEASE	0088	AC	AC	SL
2019-04-08	01	COMPONENTS UPDATE	0107	AC	AC	SL



**SPECIFICATIONS:**

VALVE P/N	-----ELD V2-06-16MT-0036
VALVE TYPE	-----HIGH PERFORMANCE GRADE, MEDIUM TEMPERATURE
NUMBER OF PORTS	-----6
PORT SIZE	-----0.030" [0.76mm]
PORT CONNECTION	-----1/16" [1.6mm]
MAX. WORKING PRESSURE	-----300 PSIG [2070 kPa]
MAX. INITIAL LEAK RATE	-----4.1E-10 Atm-cc/s He
MAX. INITIAL PRESSURE DROP	-----30 kPa @ 75 sccm N <sub>2</sub> , delta max. 15 kPa between any sections
ACTUATOR TYPE	-----PNEUMATIC SINGLE ACTUATION (SPRING RETURN)
ACTUATION PRESSURE	-----65 PSIG [450 kPa]
GAS CONSUMPTION PER ACTUATION	-----0.05 in <sup>3</sup> [0.82ml]
MAX. WORKING TEMPERATURE	-----356°F [180°C]
MATERIAL	-----ALUMINUM BODY SILCONERT 2000 COATED SS-316L VALVE HEAD AFPD-2 DIAPHRAGM TYPE

MATERIAL:	2659, boul. du Parc Technologique, Quebec, Quebec, CANADA G 1P 4E5			
	 Tel.: 418-338-0004 Fax: 418-338-2500 Email: info@afproducts.ca Web: www.afproducts.ca			
FINISH:	DESCRIPTION: SILCONERT 2000 6-PORT 300PSIG			
 ACCORDANCE WITH LATEST ASME Y14.5	UNIT	SIZE	DWG. NO.	REV.
	IN	C	ELD V2-06-16MT-0036	01
SCALE		1,5:1	SHEET 1 OF 3	

PROPRIETARY INFORMATION  
THIS DRAWING IS THE PROPERTY OF APN-AFP INC.  
IT IS RETURNABLE UPON REQUEST AND MUST NOT BE REPRODUCED  
OR THE INFORMATION CONTAINED HEREIN TRANSMITTED TO ANY  
UNAUTHORIZED PERSON OR ORGANIZATION WITHOUT THE  
WRITTEN CONSENT OF APN-AFP INC.