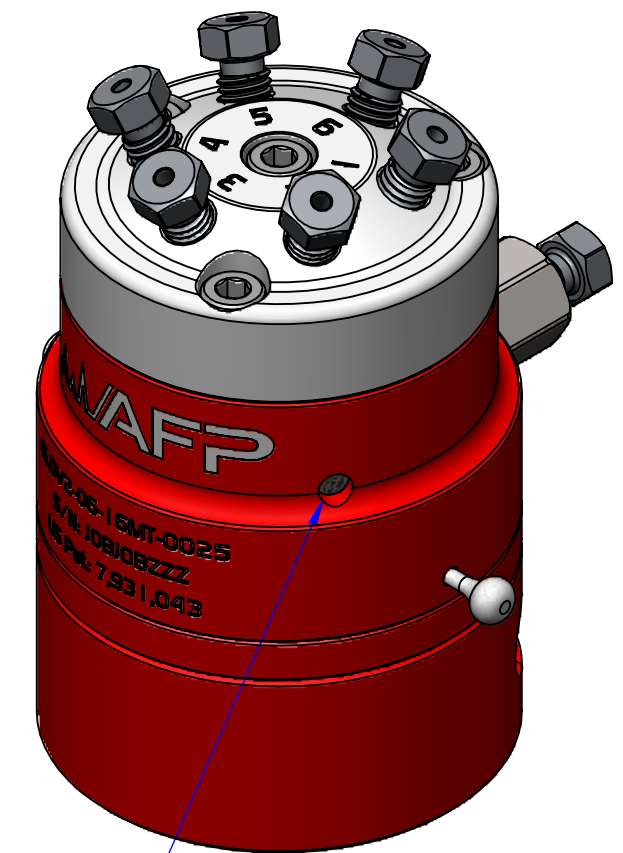
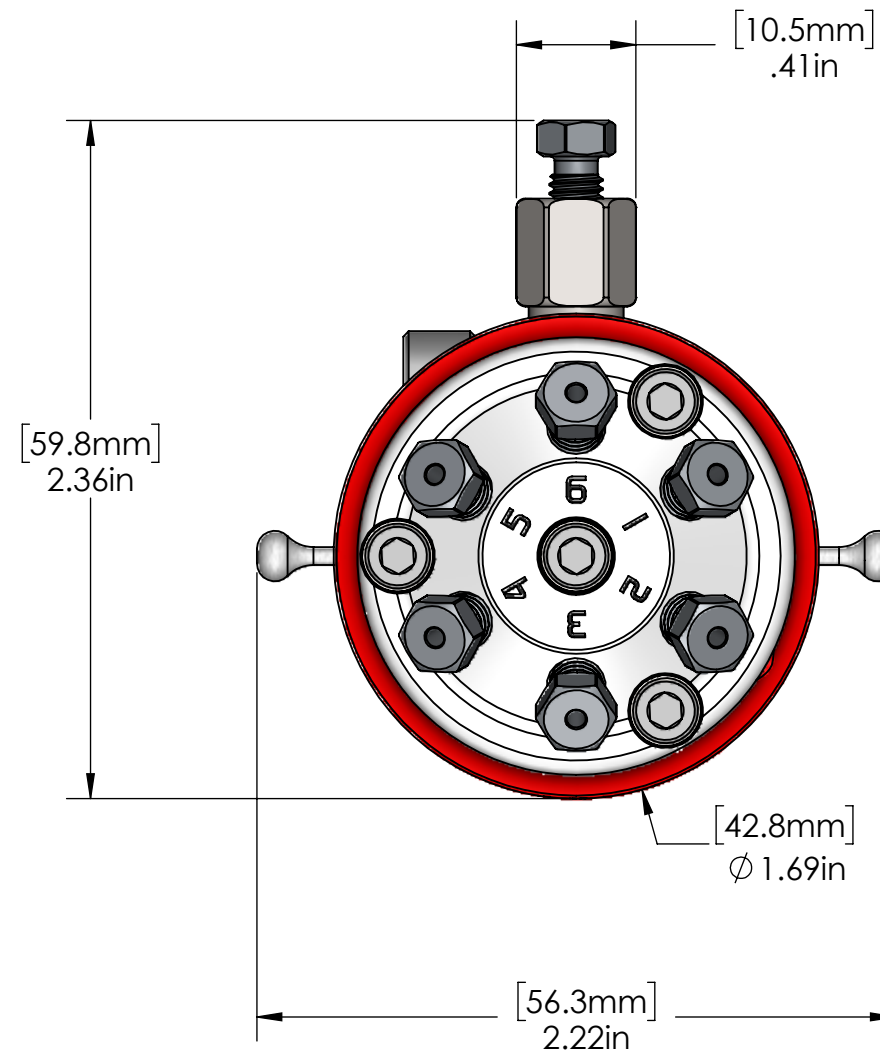
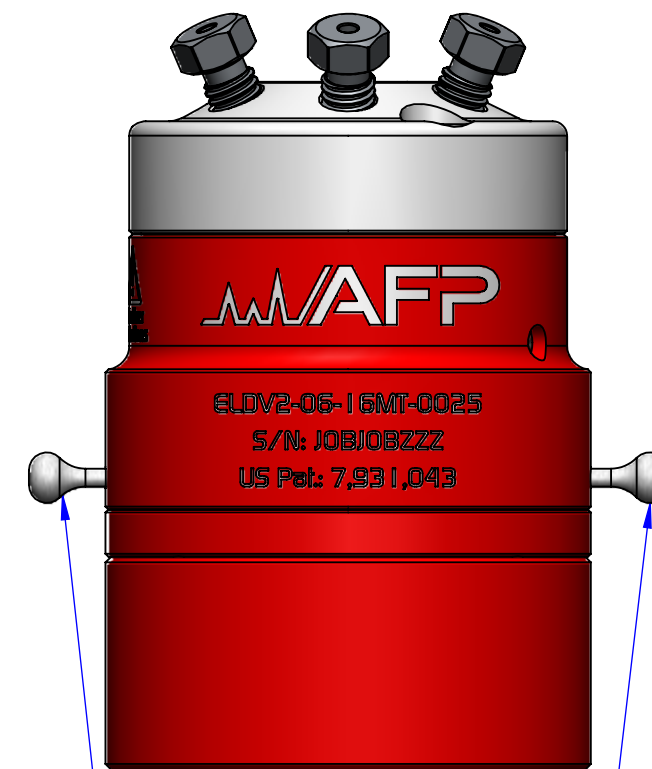
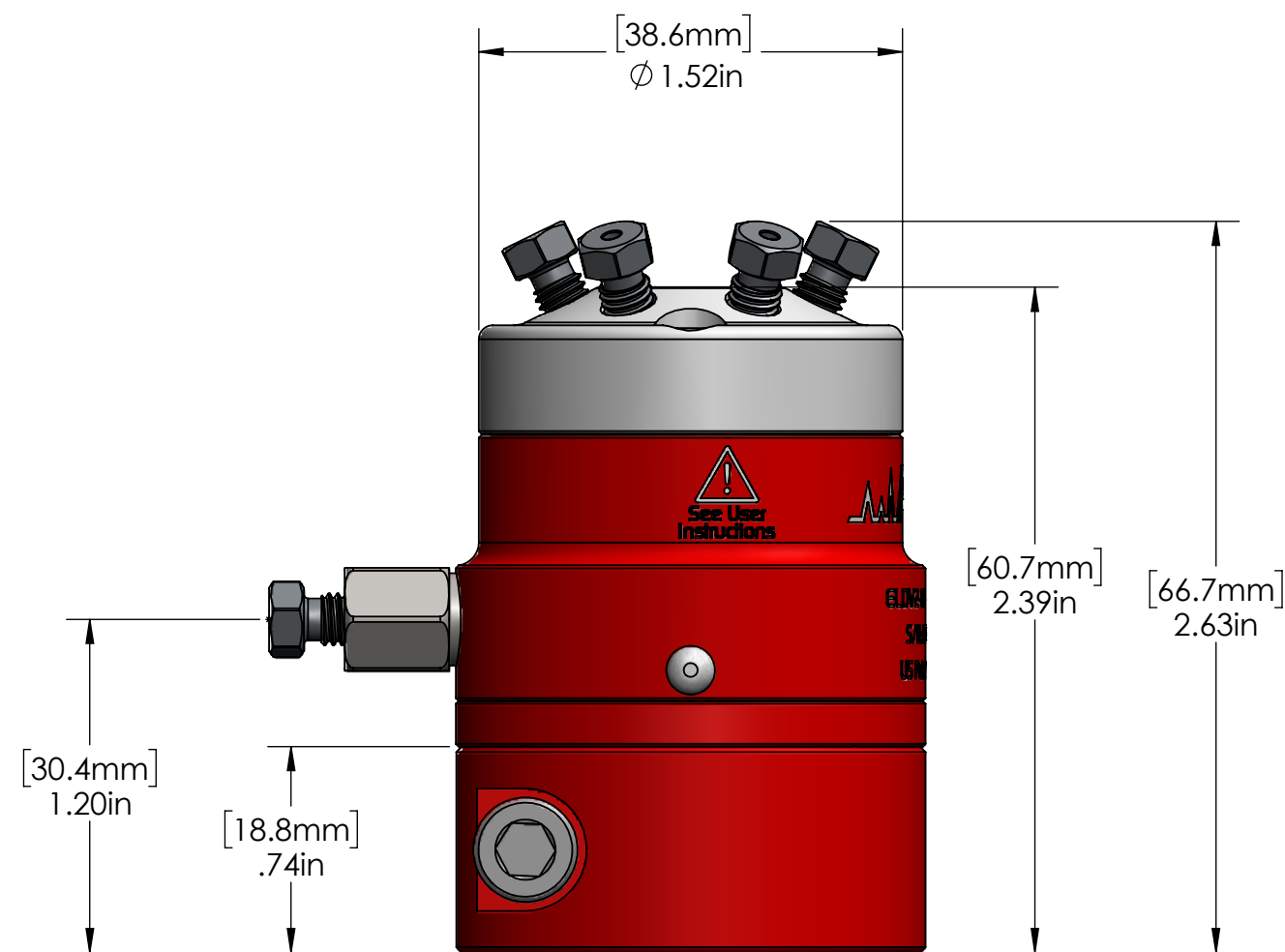


DATE	SYM	REVISION RECORD	ECO	DWN	ENG	MFG
2017-11-07	00	NEW RELEASE	0088	DB	AC	SL
2018-08-17	01	COMPONENT UPDATE	0107	JS	EB	SL





ACTUATION VENT



RELIEF PINS

SPECIFICATIONS:

VALVE P/N	-----ELDV2-06-16MT-0025
VALVE TYPE	-----HIGH PERFORMANCE GRADE, MEDIUM TEMPERATURE
NUMBER OF PORTS	-----6
PORT SIZE	-----0.030" [0.76 mm]
PORT CONNECTION	-----1/16" [1.6 mm]
MAX. WORKING PRESSURE	-----300 PSI [2070 kPa]
MAX. INITIAL LEAK RATE	-----4.1E-10 Atm-cc/s He
MAX. INITIAL PRESSURE DROP	-----15 kPa @ 75 sccm N ₂
ACTUATOR TYPE	-----PNEUMATIC SINGLE ACTUATION (SPRING RETURN)
ACTUATION PRESSURE	-----65 PSI [458 kPa]
GAS CONSUMPTION PER ACTUATION	-----0.05 in ³ [0.82 ml]
MAX. WORKING TEMPERATURE	-----356°F [180°C]
MATERIAL	-----ALUMINUM BODY SS-316L VALVE HEAD AFPD-2 DIAPHRAGM TYPE

MATERIAL: - FINISH: -  ACCORDANCE WITH LATEST ASME Y14.5			2659, boul. du Parc Technologique, Quebec, CANADA G1P 4S5 Tel.: 418-338-0004 Fax: 418-338-2500 Email: info@afproducts.ca Web: www.afproducts.ca	
	DESCRIPTION: MINI DIAPHRAGM VALVE 6 PORTS (MEDIUM TEMPERATURE, NO PURGE)			
PROPRIETARY INFORMATION THIS DRAWING IS THE PROPERTY OF APN-AFP INC. IT IS RETURNABLE UPON REQUEST AND MUST NOT BE REPRODUCED OR THE INFORMATION CONTAINED HEREIN TRANSMITTED TO ANY UNAUTHORIZED PERSON OR ORGANIZATION WITHOUT THE WRITTEN CONSENT OF APN-AFP INC.	UNIT IN	SIZE C	DWG. NO. ELDV2-06-16MT-0025	REV. 01
SCALE 1.5:1		SHEET 1 OF 4		