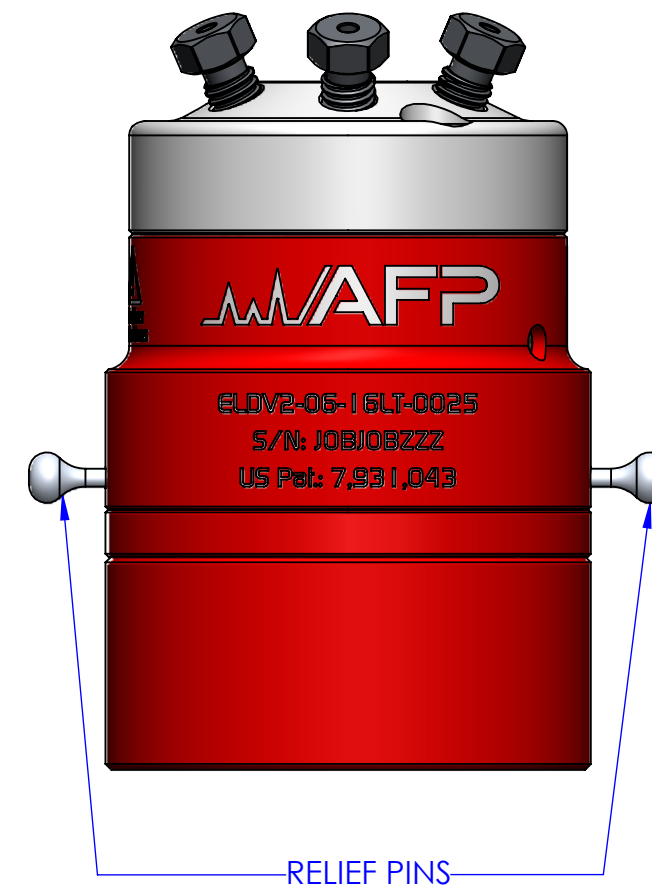
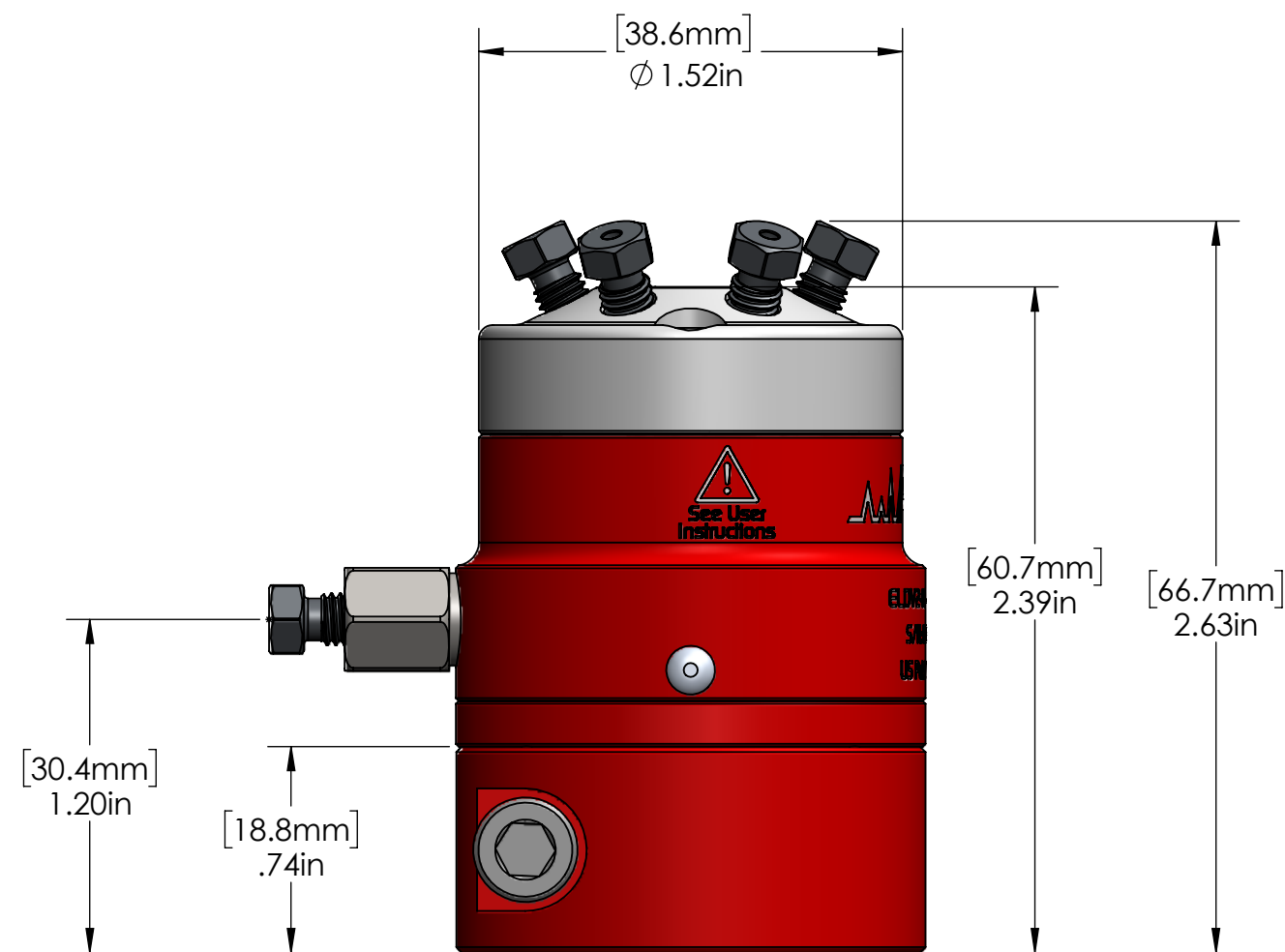
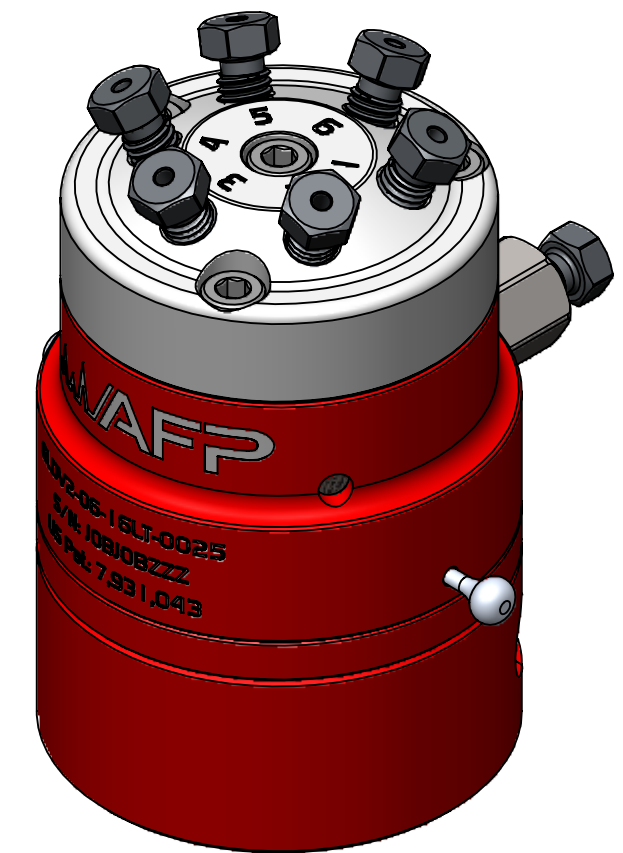
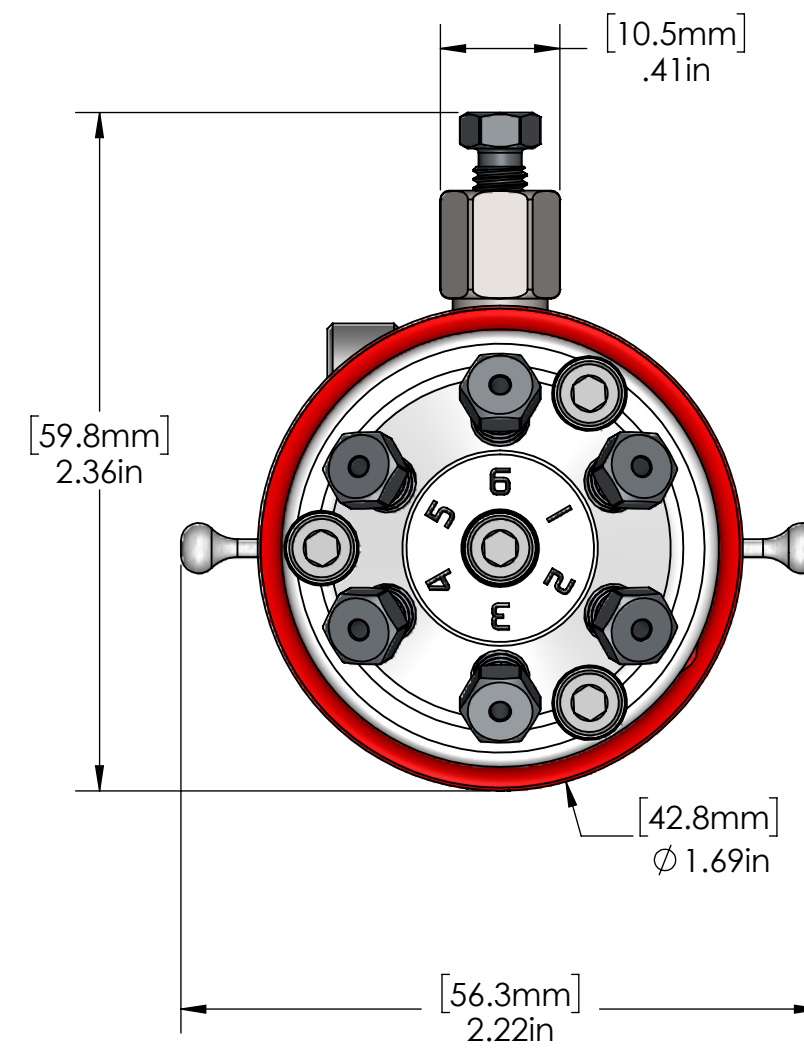


DATE	SYM	REVISION RECORD	ECO	DWN	ENG	MFG
2017-12-19	00	NEW RELEASE	0088	AC	AC	SL
2019-07-10	01	Actuation Update	0168	JS	EB	SL



SPECIFICATIONS:

VALVE P/N	ELD2-06-16LT-0025
VALVE TYPE	HIGH PERFORMANCE GRADE, LOW TEMPERATURE
NUMBER OF PORTS	6
PORT SIZE	0.030" [0.76 mm]
PORT CONNECTION	1/16" [1.6 mm]
MAX. WORKING PRESSURE	300 PSI [2068 kPa]
MAX. INITIAL LEAK RATE	3.7E-10 Atm-cc/s He
MAX. INITIAL PRESSURE DROP	10 kPa @ 75 sccm N ₂ , 3 kPa between any sections
ACTUATOR TYPE	PNEUMATIC SINGLE ACTUATION (SPRING RETURN)
ACTUATION PRESSURE	65 PSI [458 kPa]
GAS CONSUMPTION PER ACTUATION	0.05 in ³ [0.82 ml]
MAX. WORKING TEMPERATURE	212°F [100°C]
MATERIAL	ALUMINUM BODY SS-316L VALVE HEAD AFPD-1 DIAPHRAGM TYPE

UNLESS OTHERWISE SPECIFIED:
 - ALL DIMENSIONS ARE IN INCHES
 - SURFACE FINISH IS IN Ra MICRONS (µIN)
 - UNSPECIFIED SURFACES MUST BE 64 Ra µIN OR BETTER
 - REMOVE ALL BURRS & SHARP EDGES .003-.010
 - TOLERANCES ARE:
 .XX ±.010 FRACTIONAL ±1/64"
 .XXX ±.003 ANGULAR ±5°
 .XXXX ±.001
 - UNSPECIFIED INSIDE CORNER RADIUS 0.010 MAX.
 - REFER TO 3D MODEL FOR DIMENSIONS NOT SHOWN.
 - TOLERANCE .XX APPLIES
 - DO NOT SCALE DRAWING

MATERIAL:
 FINISH:
 ACCORDANCE WITH LATEST ASME Y14.5

2659, boul. du Parc Technologique,
 Quebec, CANADA
 G1P 4S5
 Tel: 418-338-0004
 Fax: 418-338-2500
 Email: info@afproducts.ca
 Web: www.afproducts.ca

AFP

DESCRIPTION: 6-Port 1/16 LT NoPurge ShorNut

PROPRIETARY INFORMATION
 THIS DRAWING IS THE PROPERTY OF APN-AFP INC.
 IT IS RETURNABLE UPON REQUEST AND MUST NOT BE REPRODUCED
 OR THE INFORMATION CONTAINED HEREIN TRANSMITTED TO ANY
 UNAUTHORIZED PERSON OR ORGANIZATION WITHOUT THE
 WRITTEN CONSENT OF APN-AFP INC.

UNIT	SIZE	DWG. NO.	REV.
IN	C	ELD2-06-16LT-0025	01
SCALE	1.5:1	SHEET 1 OF 3	