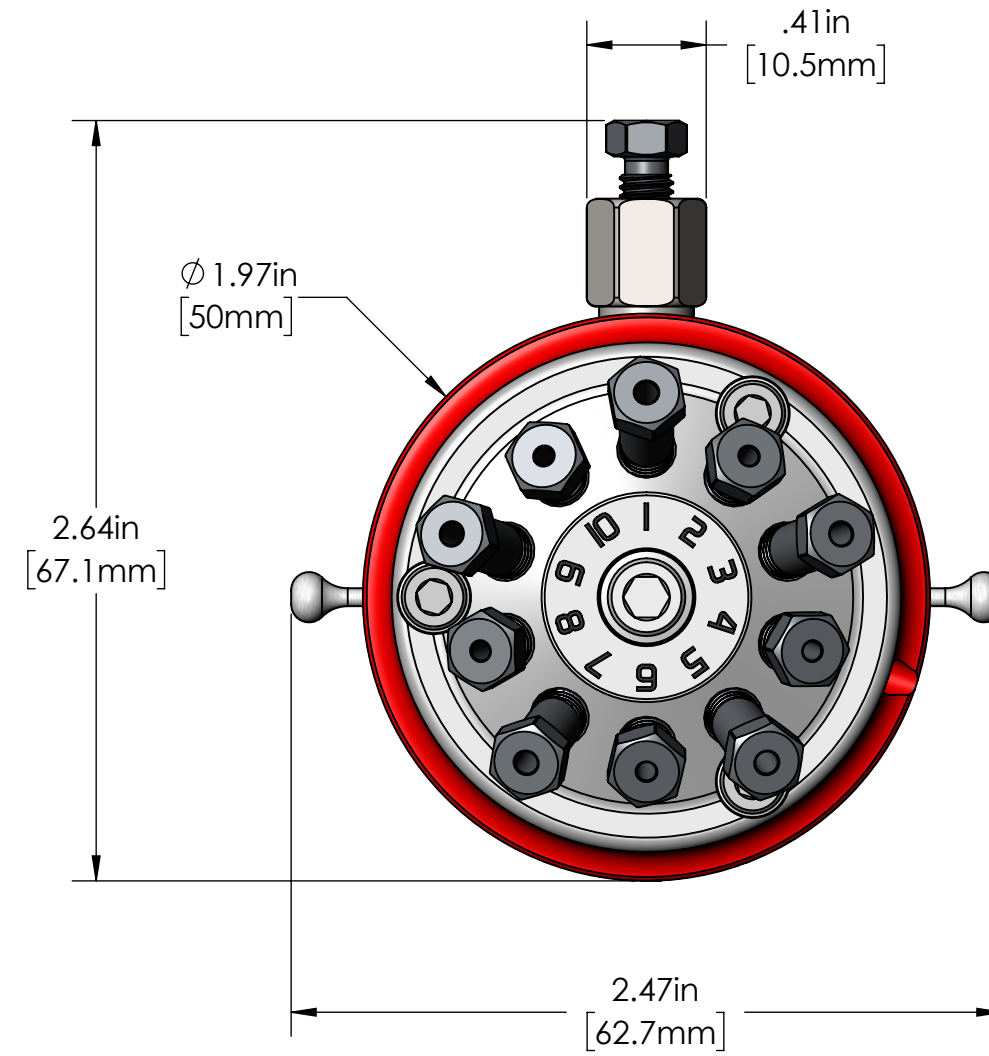
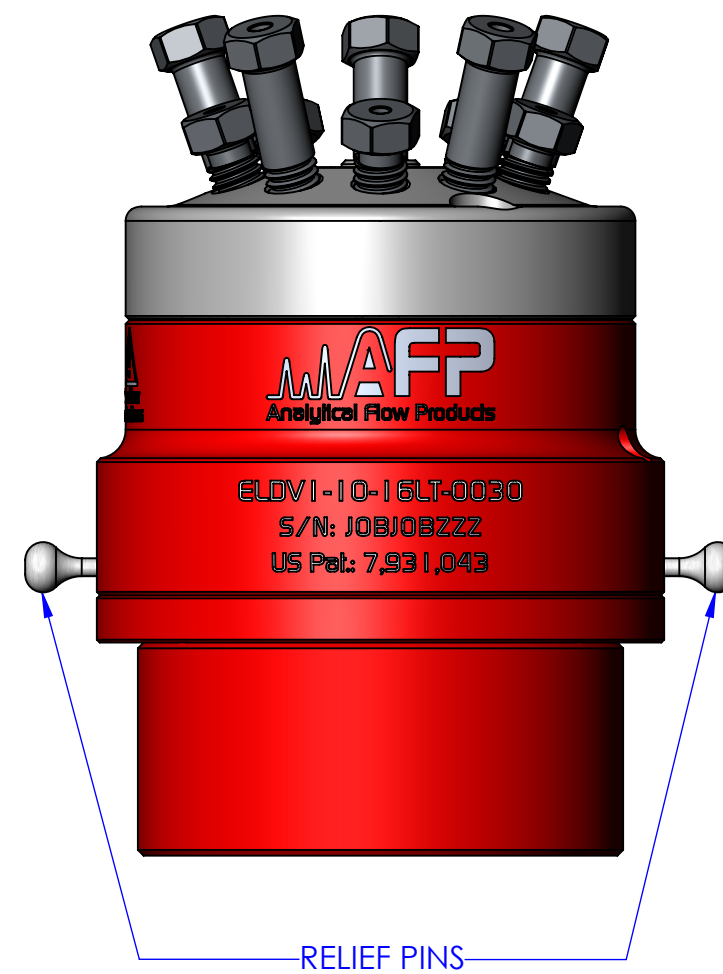
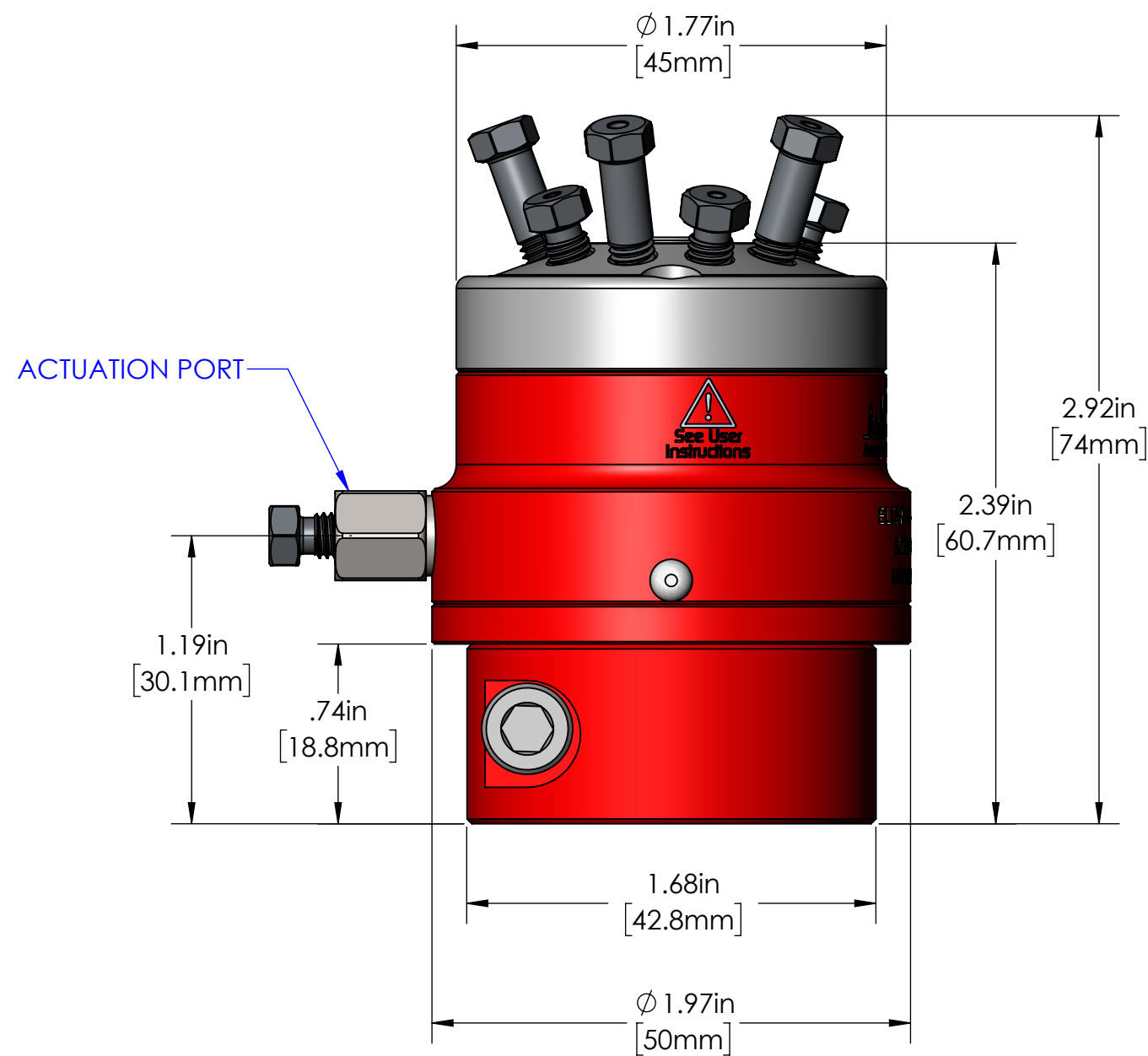
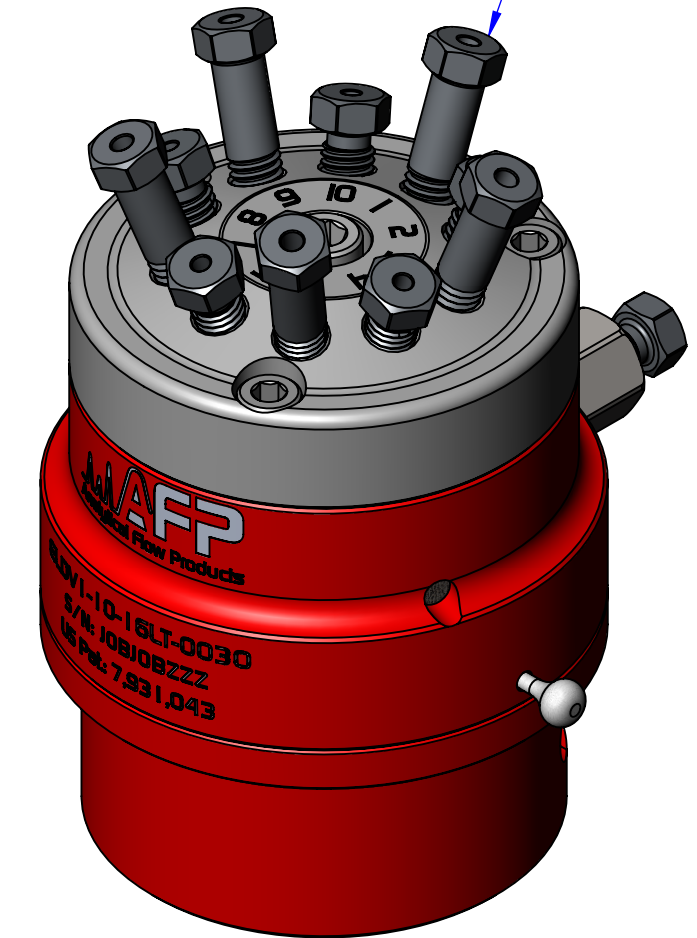


DATE	SYM	REVISION RECORD	ECO	DWN	ENG	MFG
2017-12-19	00	NEW RELEASE	0088	AC	AC	SL





LONG NUTS ON ODD PORT #



**SPECIFICATIONS:**

VALVE P/N	ELDVI-10-16LT-0030
VALVE TYPE	STANDARD GRADE, LOW TEMPERATURE
NUMBER OF PORTS	10
PORT SIZE	0.030" [0.76 mm]
PORT CONNECTION	1/16" [1.6 mm]
MAX. WORKING PRESSURE	150 PSI [1034 kPa]
MAX. INITIAL LEAK RATE	5.5E-9 Atm-cc/s He
MAX. INITIAL PRESSURE DROP	15 kPa @ 75 sccm N <sub>2</sub>
ACTUATOR TYPE	PNEUMATIC SINGLE ACTUATION (SPRING RETURN)
ACTUATION PRESSURE	65 PSI [449 kPa]
GAS CONSUMPTION PER ACTUATION	0.07 in <sup>3</sup> [1.15 ml]
MAX. WORKING TEMPERATURE	212°F [100°C]
MATERIAL	ALUMINUM BODY SS-316L VALVE HEAD AFPD-1 DIAPHRAGM TYPE

MATERIAL:		 <p>2659, boul. du Parc Technologique, Quebec, Quebec, CANADA G1P 4S5</p> <p>Tel: 418-338-0004 Fax: 418-338-2500 Email: info@afproducts.ca Web: www.afproducts.ca</p>	
	FINISH:		X
 ACCORDANCE WITH LATEST ASME Y14.5		DESCRIPTION:	MINI DIAPHRAGM VALVE 10 PORTS (NO PURGE, LOW TEMPERATURE)
UNIT	SIZE	DWG. NO.	REV.
IN	C	ELDVI-10-16LT-0030	00
SCALE		1.5:1	SHEET 1 OF 2

PROPRIETARY INFORMATION  
THIS DRAWING IS THE PROPERTY OF APN-AFP INC.  
IT IS RETURNABLE UPON REQUEST AND MUST NOT BE REPRODUCED  
OR THE INFORMATION CONTAINED HEREIN TRANSMITTED TO ANY  
UNAUTHORIZED PERSON OR ORGANIZATION WITHOUT THE  
WRITTEN CONSENT OF APN-AFP INC.