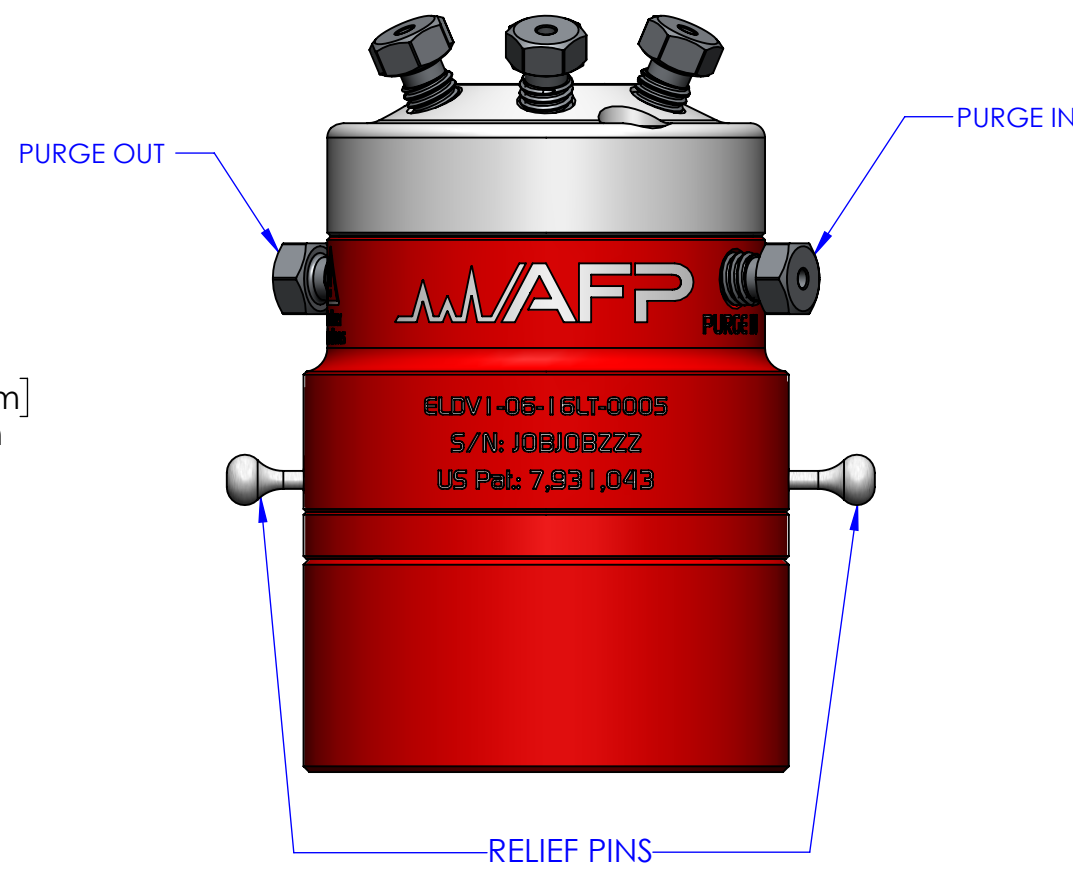
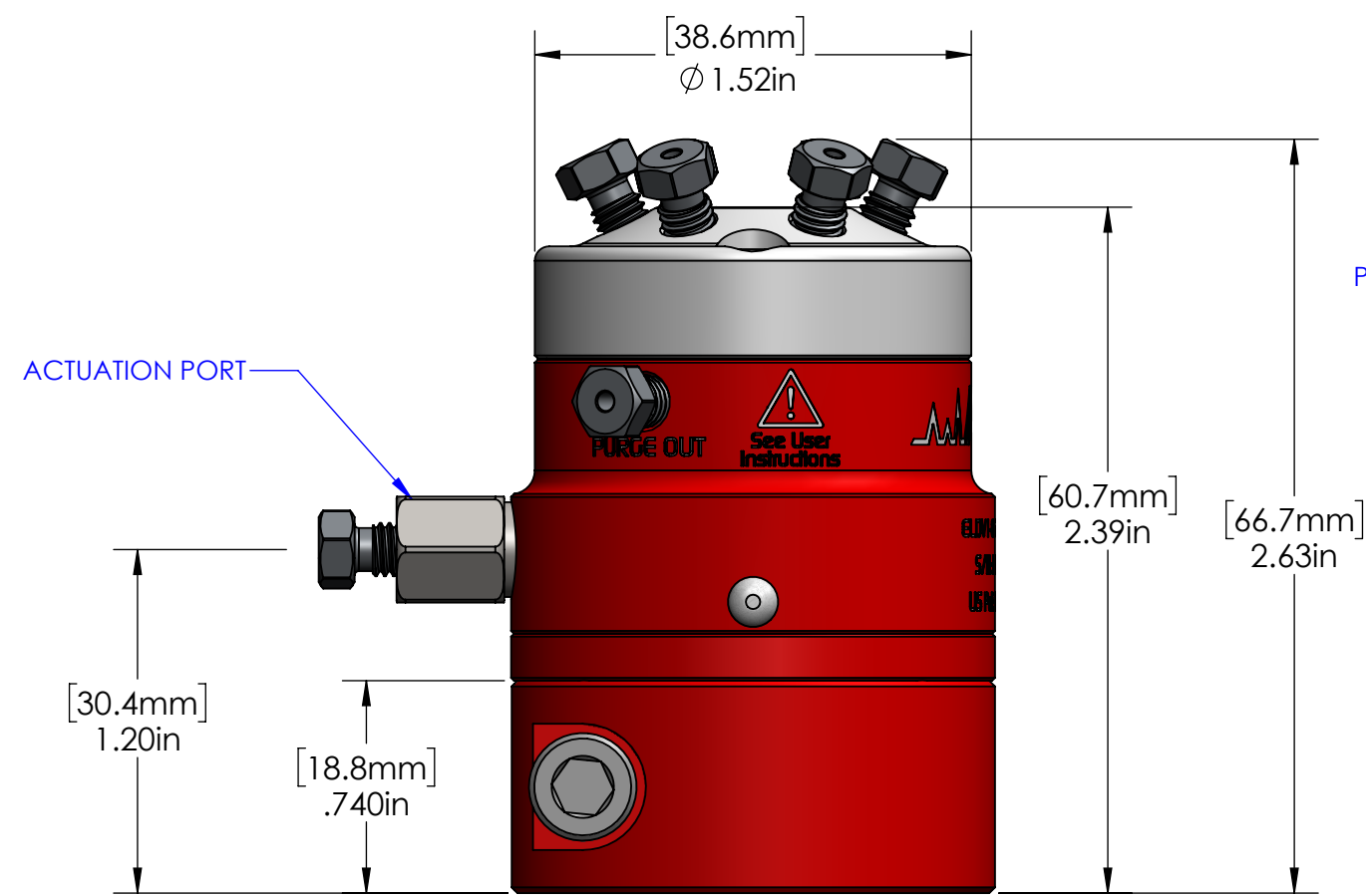
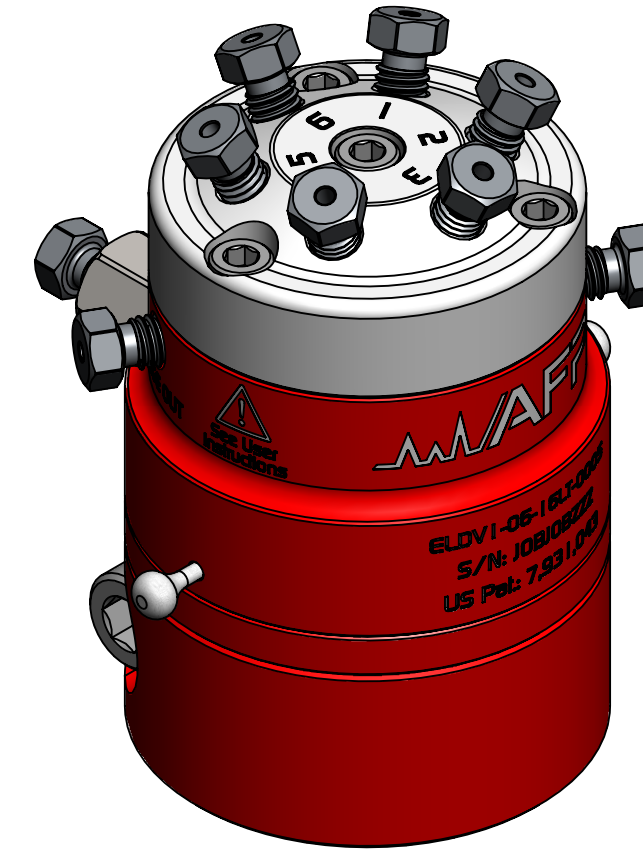
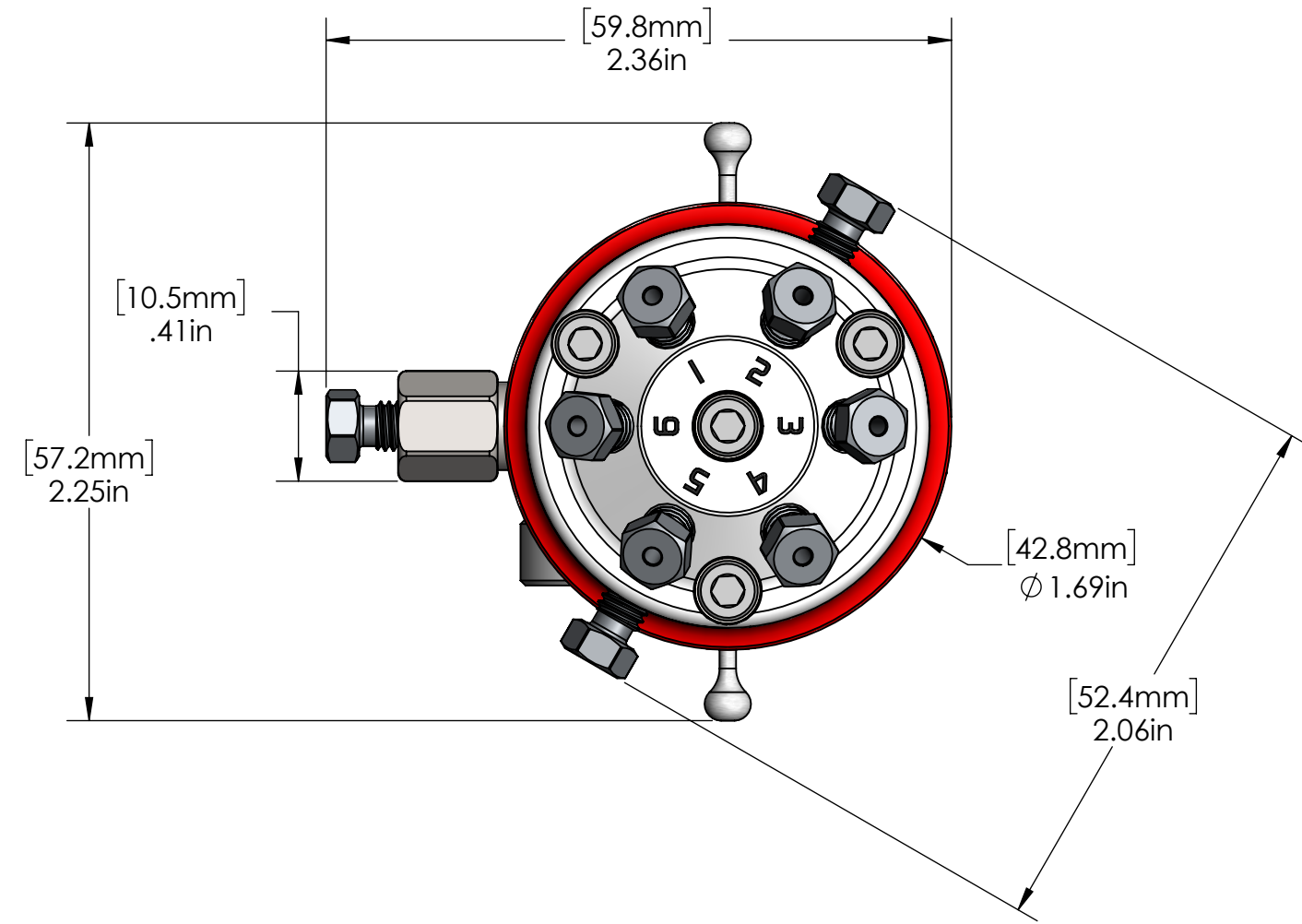


DATE	SYM	REVISION RECORD	ECO	DWN	ENG	MFG
10-22-2017	00	NEW RELEASE	0088	DB	AC	SL
2019-12-09	01	New actuation, Max pressure drop update	0177	JS	EB	SL



SPECIFICATIONS:

VALVE P/N	ELDV1-06-16LT-0005
VALVE TYPE	STANDARD GRADE, LOW TEMPERATURE
NUMBER OF PORTS	6
PORT SIZE	0.030" [0.76 mm]
PORT CONNECTION	1/16" [1.6 mm]
MAX. WORKING PRESSURE	150 PSI [1034 kPa]
MAX. INITIAL LEAK RATE	5.5E-10 Atm-cc/s He
MAX. INITIAL PRESSURE DROP	15 kPa @ 75 sccm N2
ACTUATOR TYPE	PNEUMATIC SINGLE ACTUATION (SPRING RETURN)
ACTUATION PRESSURE	65 PSI [450 kPa]
GAS CONSUMPTION PER ACTUATION	0.05 in ³ [0.82 ml]
MAX. WORKING TEMPERATURE	212°F [100°C]
MATERIAL	ALUMINUM BODY SS-316L VALVE HEAD AFPD-1 DIAPHRAGM TYPE

MATERIAL: - FINISH: -	2659, boul. du Parc Technologique, Quebec, Quebec, CANADA G1P 4S5 Tel.: 418-338-0004 Fax: 418-338-2500 Email: info@afproducts.ca Web: www.afproducts.ca				
	AFP DESCRIPTION: MINI DIAPHRAGM VALVE GROOVED 6 PORTS (LOW TEMPERATURE)				
PROPRIETARY INFORMATION THIS DRAWING IS THE PROPERTY OF APN-AFP INC. IT IS RETURNABLE UPON REQUEST AND MUST NOT BE REPRODUCED OR THE INFORMATION CONTAINED HEREIN TRANSMITTED TO ANY UNAUTHORIZED PERSON OR ORGANIZATION WITHOUT THE WRITTEN CONSENT OF APN-AFP INC.	ACCORDANCE WITH LATEST ASME Y14.5	UNIT IN	SIZE C	DWG. NO. ELDV1-06-16LT-0005	REV. 01
SCALE 1.5:1		SHEET 1 OF 3			