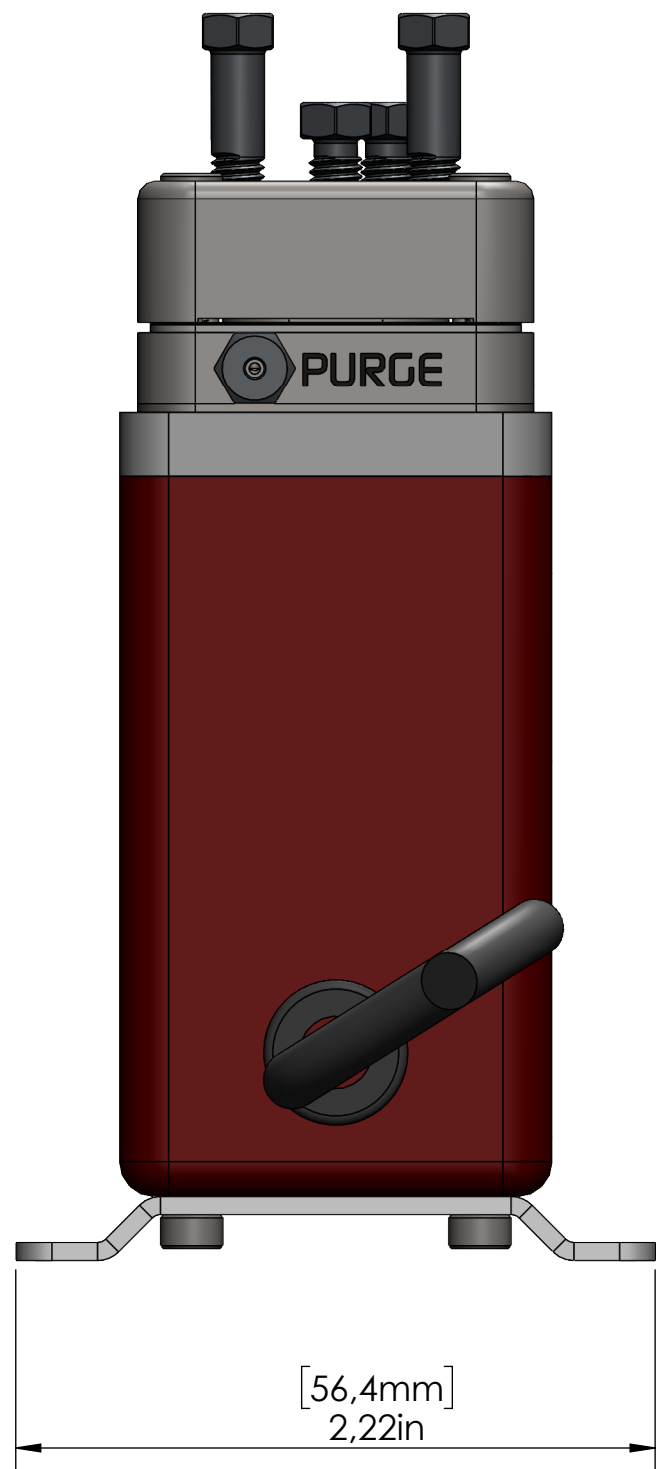
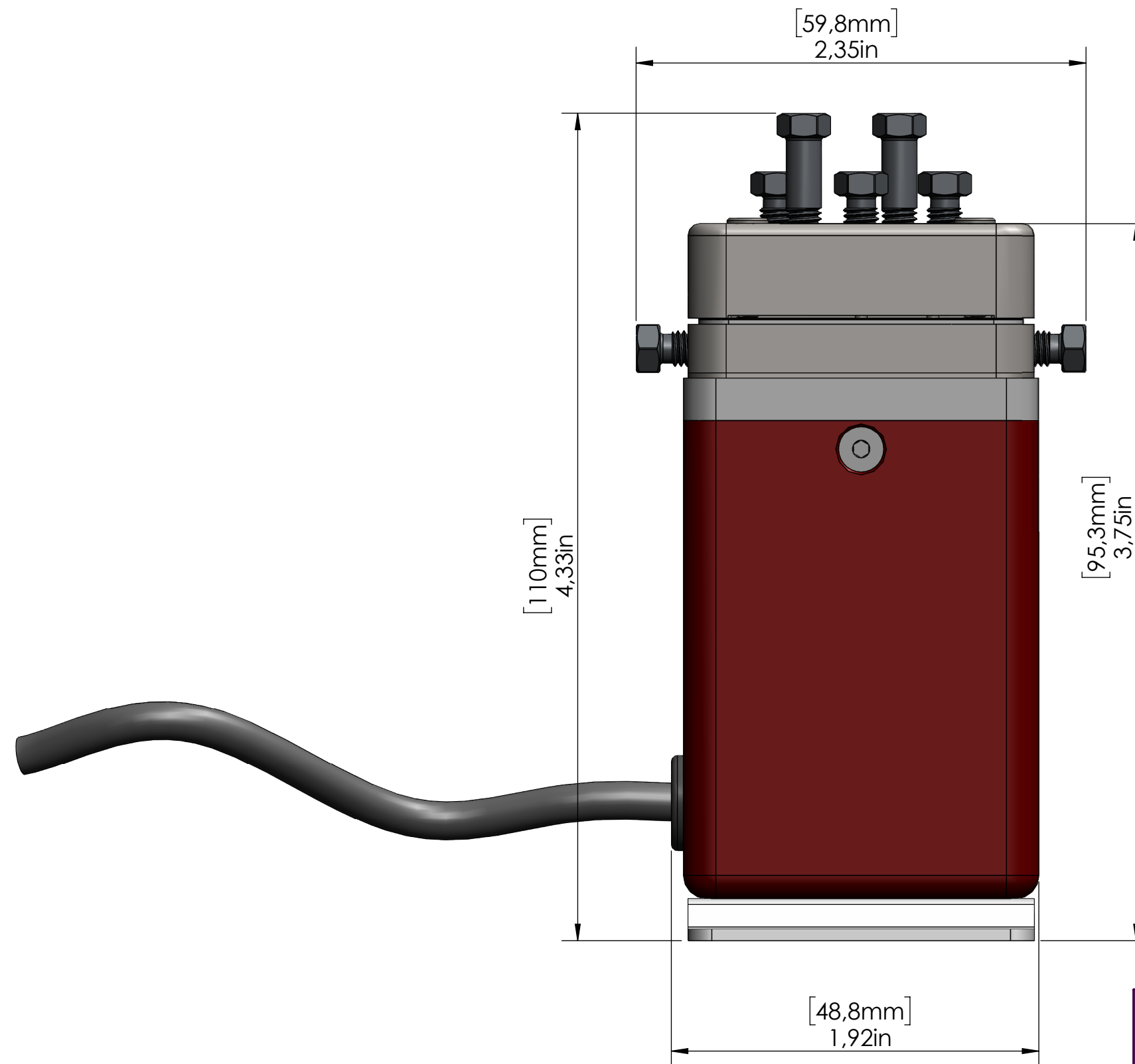
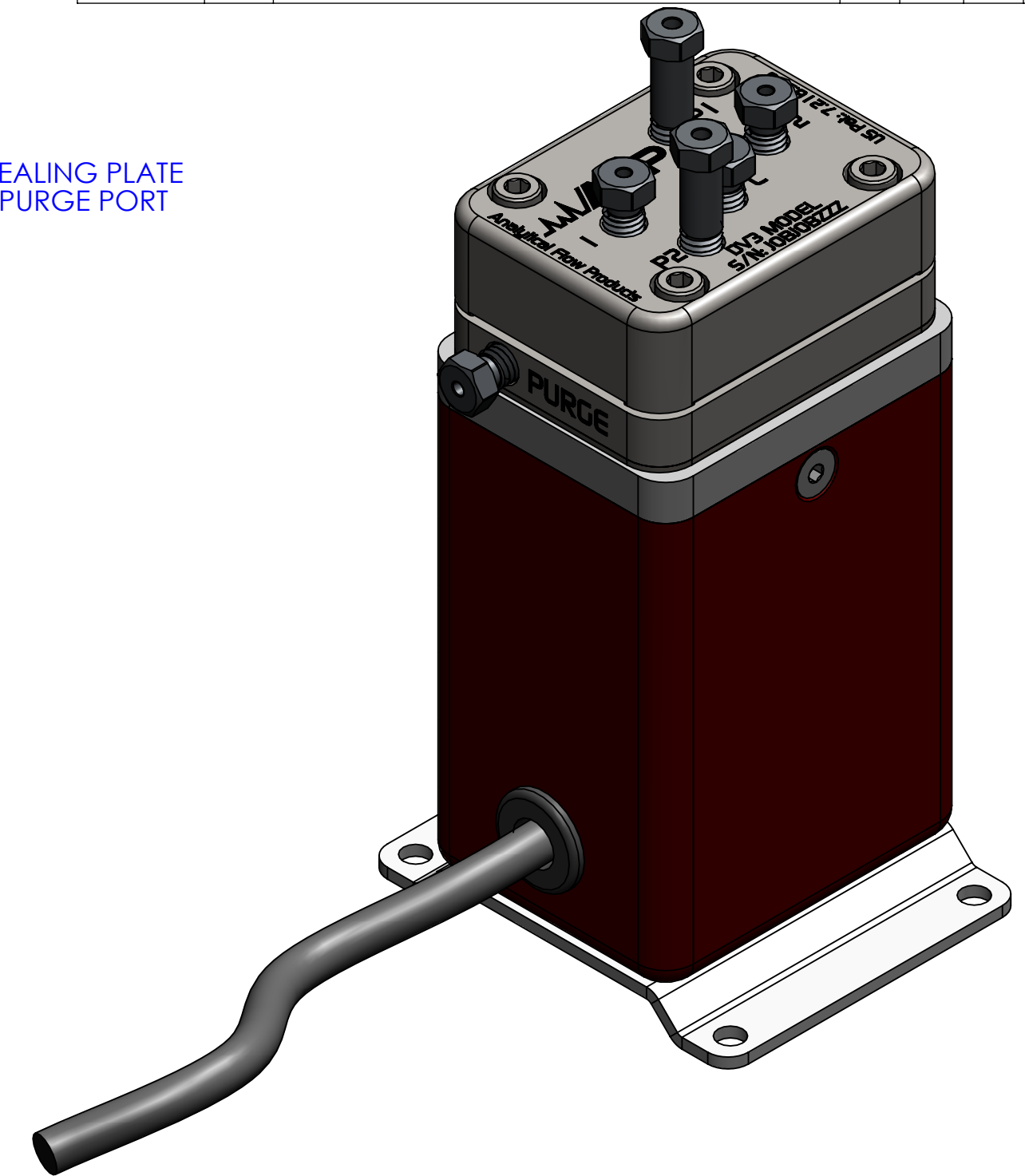
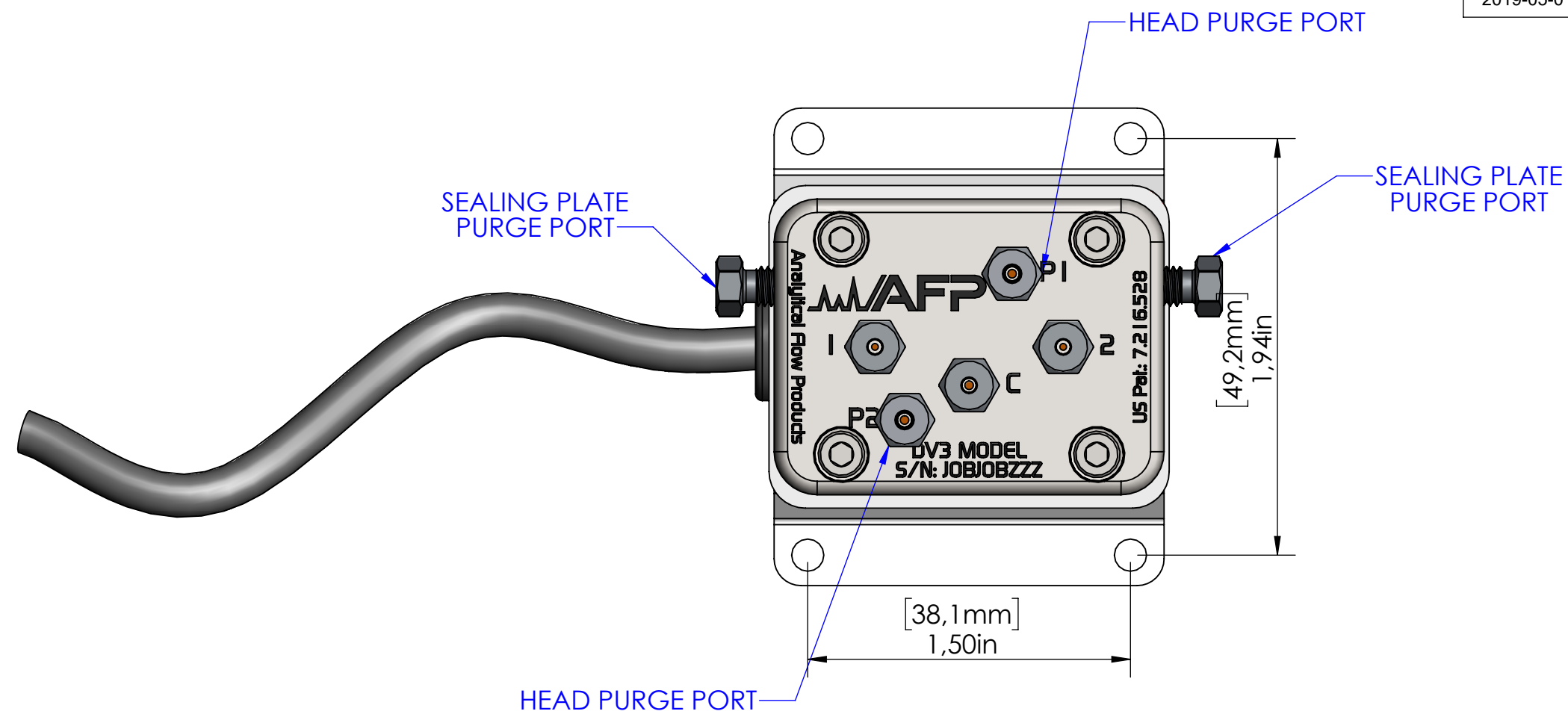




DATE	SYM	REVISION RECORD	ECO	DWN	ENG	MFG
2018-09-29	00	INITIAL RELEASE	0089	AC	AC	SL
2019-05-0	01	COMPONENT UPDATE	0145	AC	AC	SL



**SPECIFICATIONS:**

VALVE P/N	EDV3-16-0004
VALVE TYPE	HIGH PERFORMANCE GRADE
NUMBER OF PROCESS PORTS	3
PROCESS PORT SIZE	0.030" [0.76 mm]
PROCESS PORT CONNECTION	1/16" [3.2 mm]
NUMBER OF PURGE PORTS	4
PURGE PORT SIZE	0.040" [1.02 mm]
PURGE PORT CONNECTION	1/16" [1.6 mm]
MAX. WORKING PRESSURE	500 PSI [3450 kPa]
MAX. INITIAL LEAK RATE	1.5E-10 Atm-cc/s He
MAX. INITIAL PRESSURE DROP	2 kPa @ 75 sccm N <sub>2</sub> , 1 kPa max. between any sections
PURGE MAX. PRESSURE DROP	7 kPa @ 75 sccm N <sub>2</sub>
ACTUATOR TYPE	ELECTRONIC ACTUATION
CONTROL TYPE	DIGITAL COMMANDS
MAX. WORKING TEMPERATURE	140°F [60°C]
MATERIAL	SS BODY SS-316L VALVE HEAD AFPD-3 DIAPHRAGM TYPE

MATERIAL:	2659, boul. du Parc Technologique, Québec, CANADA G1P 4S5				
	 Tel.: 418-338-0004 Fax: 418-338-2500 Email: info@afproducts.ca Web: www.afproducts.ca				
FINISH:	DESCRIPTION: EDV3 PURGED DIGITAL MET DIAPH				
 ACCORDANCE WITH LATEST ASME Y14.5		UNIT	SIZE	DWG. NO.	REV.
PROPRIETARY INFORMATION THIS DRAWING IS THE PROPERTY OF APN-AFP INC. IT IS RETURNABLE UPON REQUEST AND MUST NOT BE REPRODUCED OR THE INFORMATION CONTAINED HEREIN TRANSMITTED TO ANY UNAUTHORIZED PERSON OR ORGANIZATION WITHOUT THE WRITTEN CONSENT OF APN-AFP INC.		IN	C	EDV3-16-0004	01
SCALE		3:2	SHEET 1 OF 2		