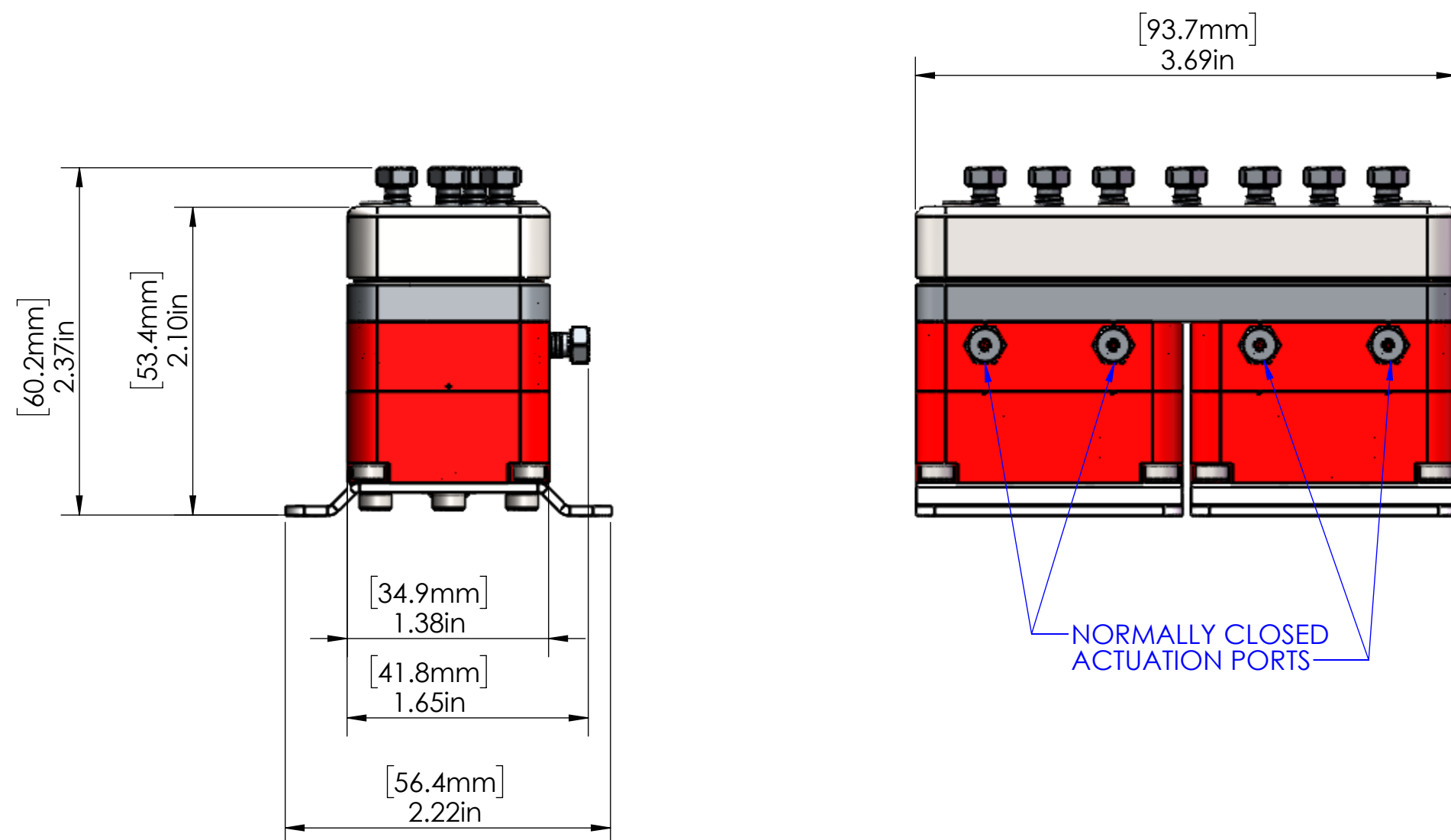
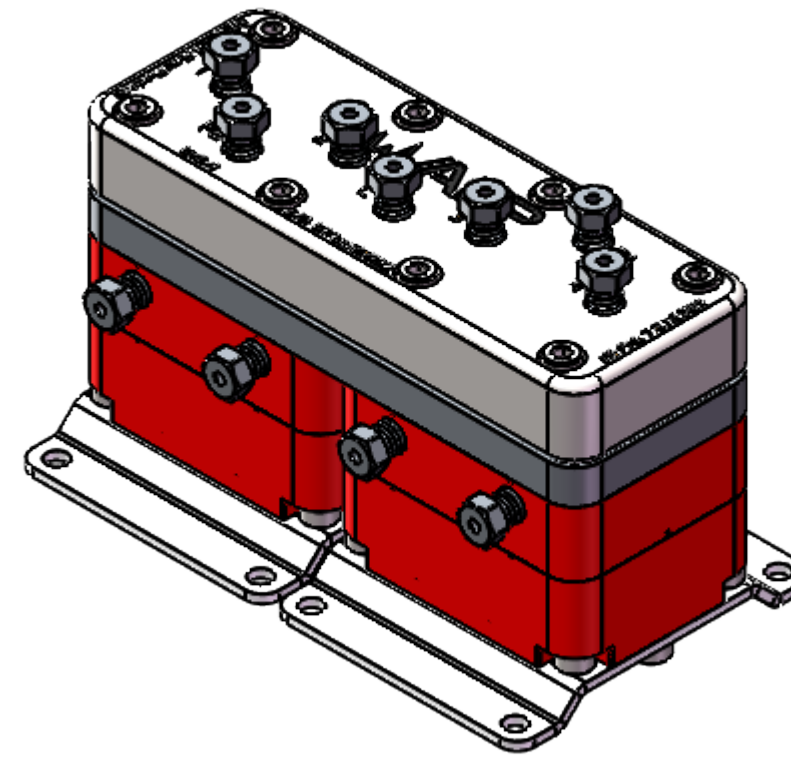
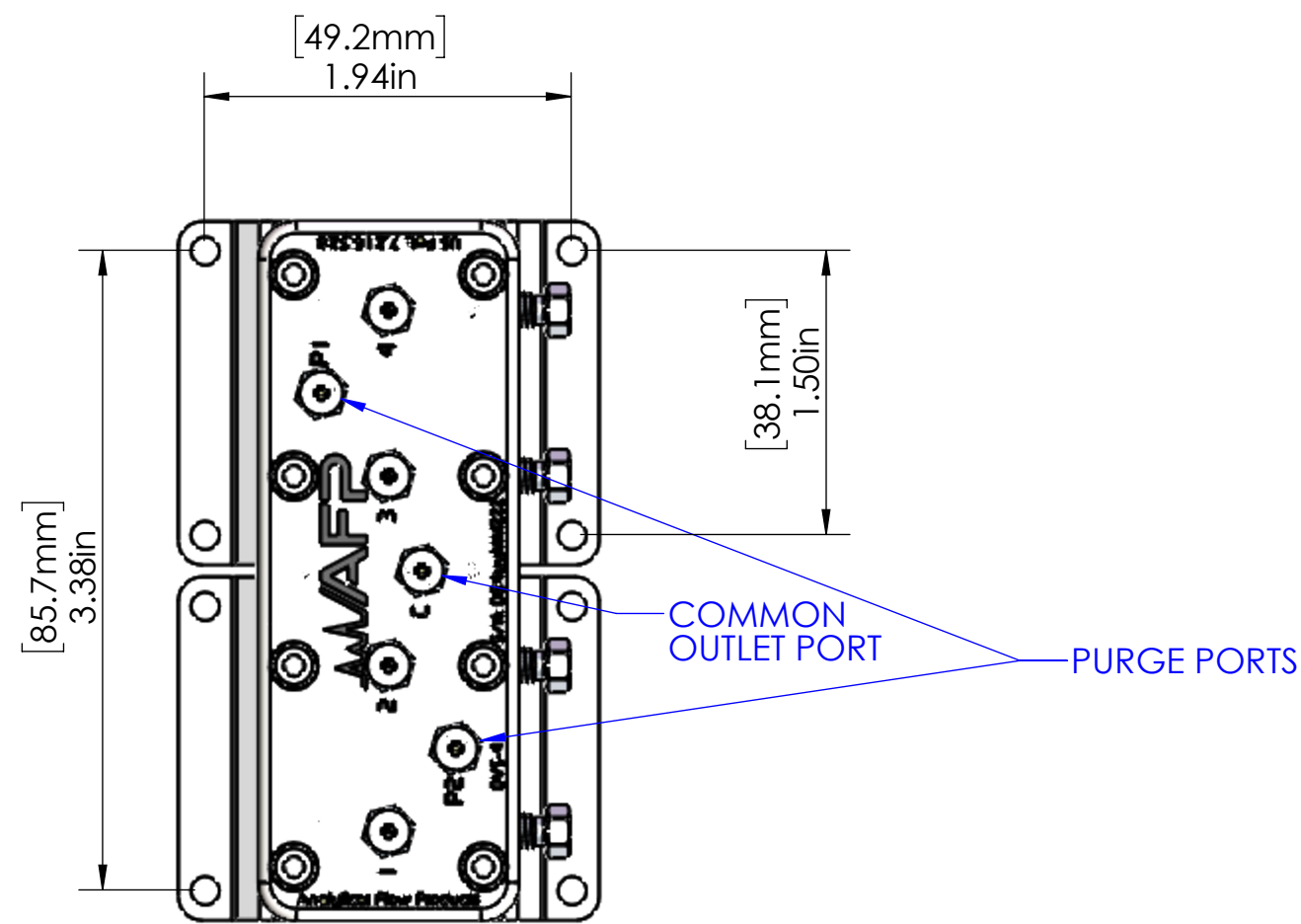



DATE	SYM	REVISION RECORD	ECO	DWN	ENG	MFG
2019-05-28	00	INITIAL RELEASE	0155	JS	EB	SL



**SPECIFICATIONS:**

VALVE P/N	DVS-4-16MT-0001
VALVE TYPE	HIGH PERFORMANCE GRADE
NUMBER OF PROCESS PORTS	5
PROCESS PORT SIZE	0.030" [0.76 mm]
PROCESS PORT CONNECTION	1/16" [3.2 mm]
NUMBER OF PURGE PORTS	2
PURGE PORT SIZE	0.040" [1.02 mm]
PURGE PORT CONNECTION	1/16" [1.6 mm]
MAX. WORKING PRESSURE	300 psig [2070 kPa]
MAX. INITIAL LEAK RATE	4.0E-10 Atm-cc/s He
MAX. INITIAL PRESSURE DROP	2 kPa @ 75 sccm N <sub>2</sub> , 1 kPa max. between any sections
PURGE MAX. PRESSURE DROP	7 kPa @ 75 sccm N <sub>2</sub>
ACTUATOR TYPE	PNEUMATIC SINGLE ACTUATION (SPRING RETURN)
ACTUATION PRESSURE	65 psig [450 kPa]
GAS CONSUMPTION PER ACTUATION	0.02 in <sup>3</sup> [0.32 mL]
MAX. WORKING TEMPERATURE	356°F [180°C]
MATERIAL	ALU BODY SS-316L VALVE HEAD AFPD-3 DIAPHRAGM TYPE

MATERIAL:	 <p>2659, boul. du Parc Technologique, Quebec, CANADA G1P 4S5 Tel: 418-338-0004 Fax: 418-338-2500 Email: info@afproducts.ca Web: www.afproducts.ca</p>		
FINISH:			
ACCORDANCE WITH LATEST ASME Y14.5			
DESCRIPTION: 4-Stream Selection On/Off Valve			
UNIT	SIZE	DWG. NO.	REV.
IN	C	DVS-4-16MT-0001	00
SCALE 1:1		SHEET 1 OF 2	

PROPRIETARY INFORMATION  
THIS DRAWING IS THE PROPERTY OF APN-AFP INC.  
IT IS RETURNABLE UPON REQUEST AND MUST NOT BE REPRODUCED  
OR THE INFORMATION CONTAINED HEREIN TRANSMITTED TO ANY  
UNAUTHORIZED PERSON OR ORGANIZATION WITHOUT THE  
WRITTEN CONSENT OF APN-AFP INC.