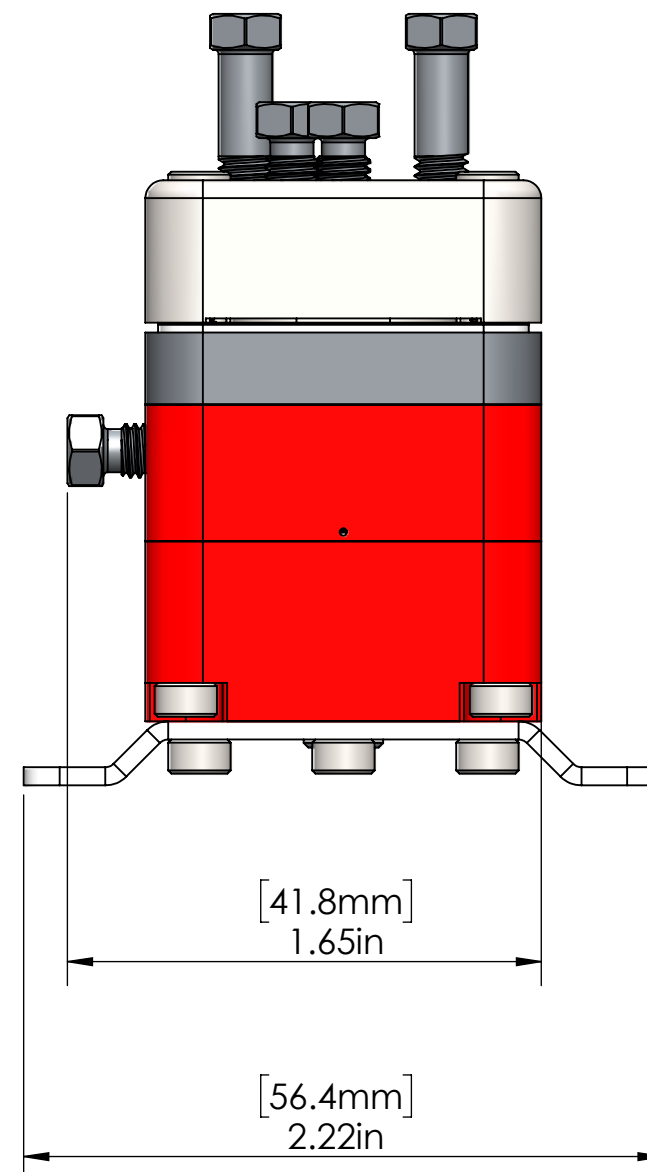
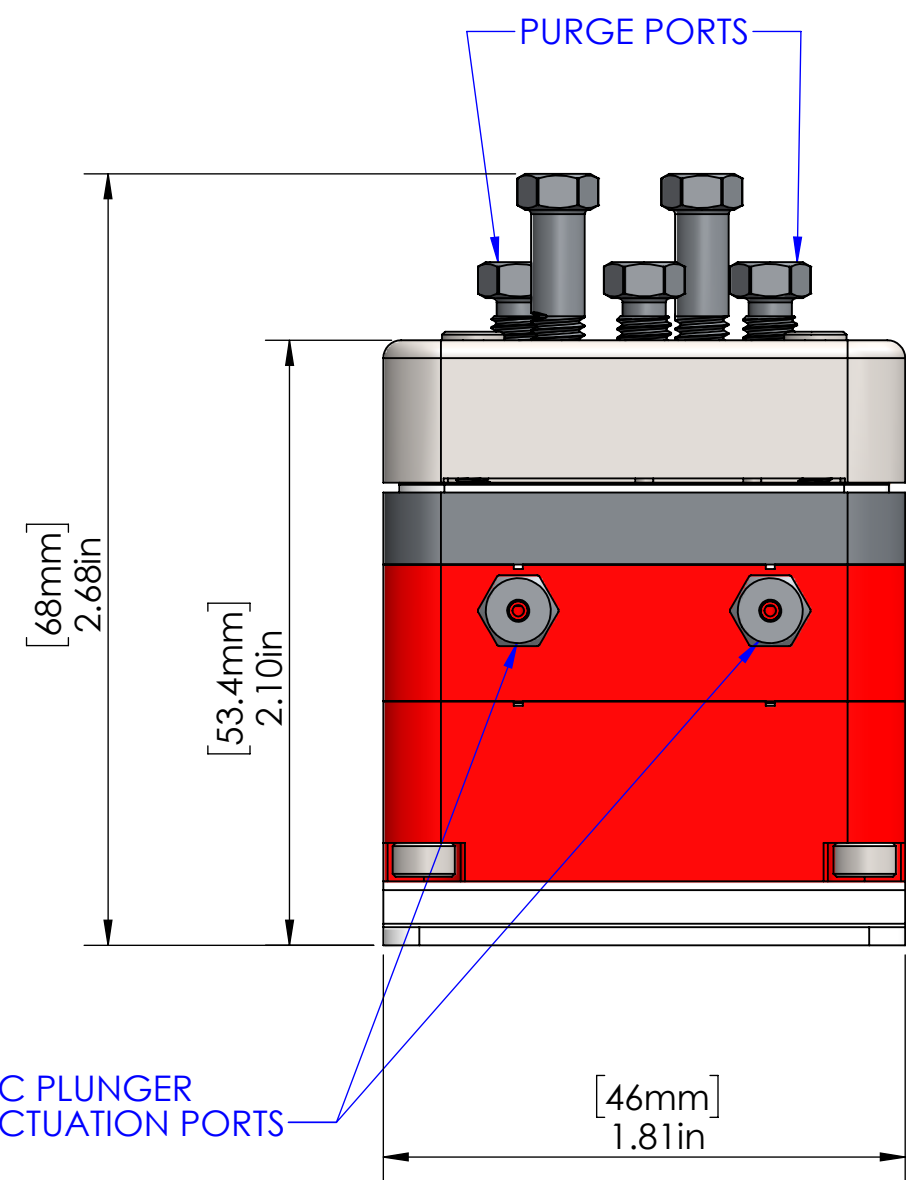
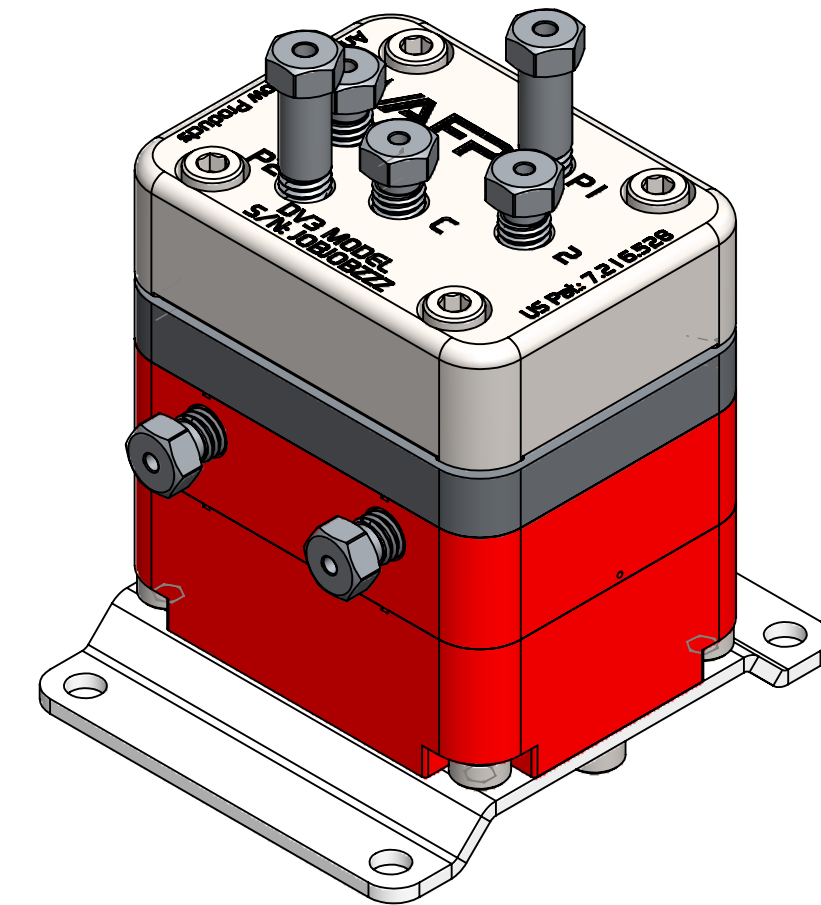
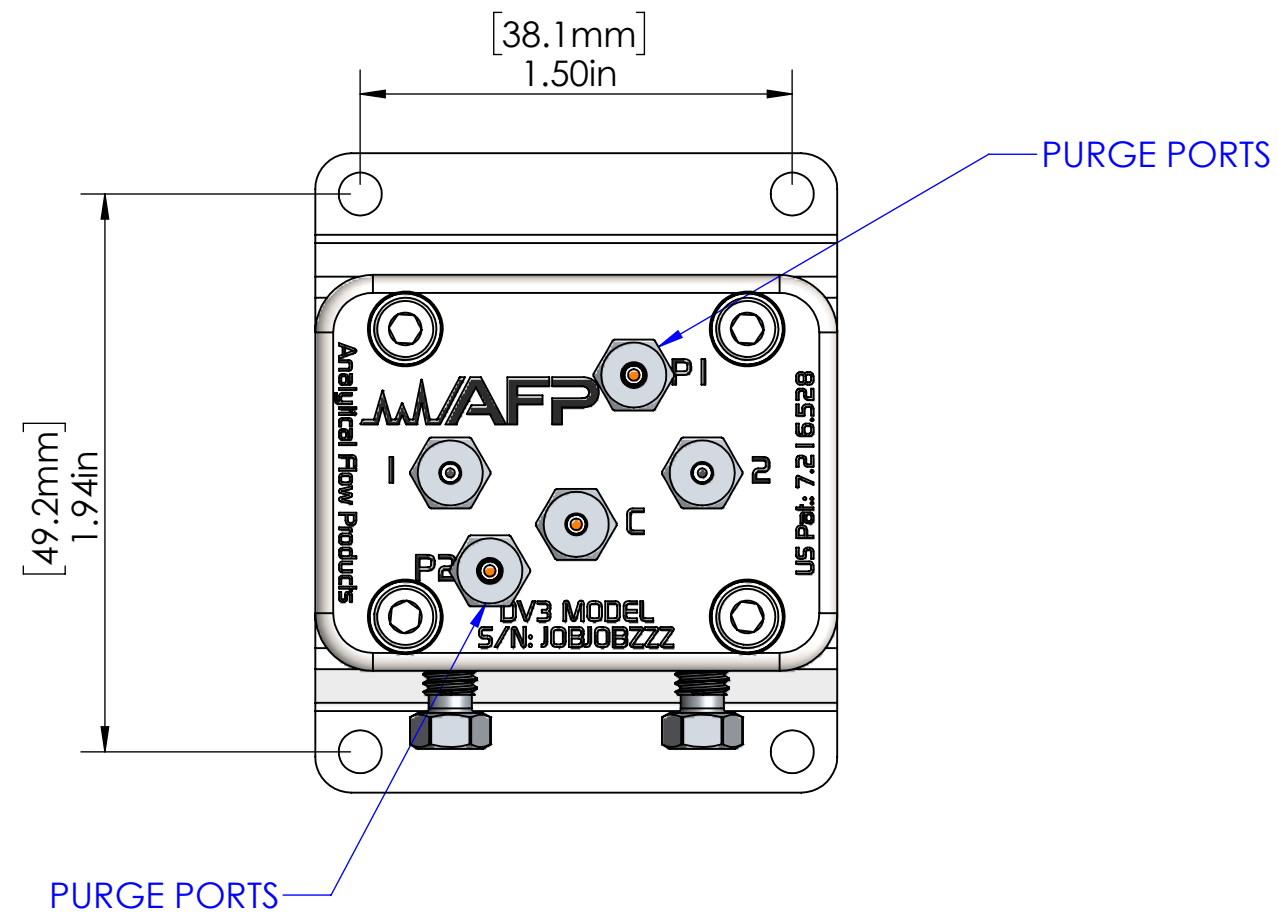



DATE	SYM	REVISION RECORD	ECO	DWN	ENG	MFG
2019-07-23	00	INITIAL RELEASE	0173	JS	EB	SL



SPECIFICATIONS:

VALVE P/N	DV3-16MT-0003
VALVE TYPE	HIGH PERFORMANCE GRADE
NUMBER OF PROCESS PORTS	3
PROCESS PORT SIZE	0.030" [0.76 mm]
PROCESS PORT CONNECTION	1/16" [1.6 mm]
NUMBER OF PURGE PORTS	2 (on Head)
PURGE PORT SIZE	0.040" [1.02 mm]
PURGE PORT CONNECTION	1/16" [1.6 mm]
MAX. WORKING PRESSURE	300 PSI [2070 kPa]
MAX. INITIAL LEAK RATE	4.1E-10 Atm-cc/s He
MAX. INITIAL PRESSURE DROP	2 kPa @ 75 sccm N ₂ , 1 kPa max. between any sections
PURGE MAX. PRESSURE DROP	7 kPa @ 75 sccm N ₂
ACTUATOR TYPE	PNEUMATIC SINGLE ACTUATION (SPRING RETURN)
ACTUATION PRESSURE	65 PSI [450 kPa]
GAS CONSUMPTION PER ACTUATION	0.02 in ³ [0.32 ml]
MAX. WORKING TEMPERATURE	356°F [180°C]
MATERIAL	ALU BODY SS-316L VALVE HEAD AFPD-3 DIAPHRAGM TYPE

MATERIAL:	FINISH:	 <p>2659, boul. du Parc Technologique, Quebec, Quebec, CANADA G1P 4S5 Tel.: 418-338-0004 Fax: 418-338-2500 Email: info@afproducts.ca Web: www.afproducts.ca</p>			
			DESCRIPTION: DV3 NC-NC Metallized Diaph		
<small>PROPRIETARY INFORMATION THIS DRAWING IS THE PROPERTY OF APN-AFP INC. IT IS RETURNABLE UPON REQUEST AND MUST NOT BE REPRODUCED OR THE INFORMATION CONTAINED HEREIN TRANSMITTED TO ANY UNAUTHORIZED PERSON OR ORGANIZATION WITHOUT THE WRITTEN CONSENT OF APN-AFP INC.</small>		<small>UNIT</small> IN	<small>SIZE</small> C	<small>DWG. NO.</small> DV3-16MT-0003	<small>REV.</small> 00
<small>ACCORDANCE WITH LATEST ASME Y14.5</small>		<small>SCALE</small> 1.5:1	<small>SHEET</small> 1 <small>OF</small> 2		