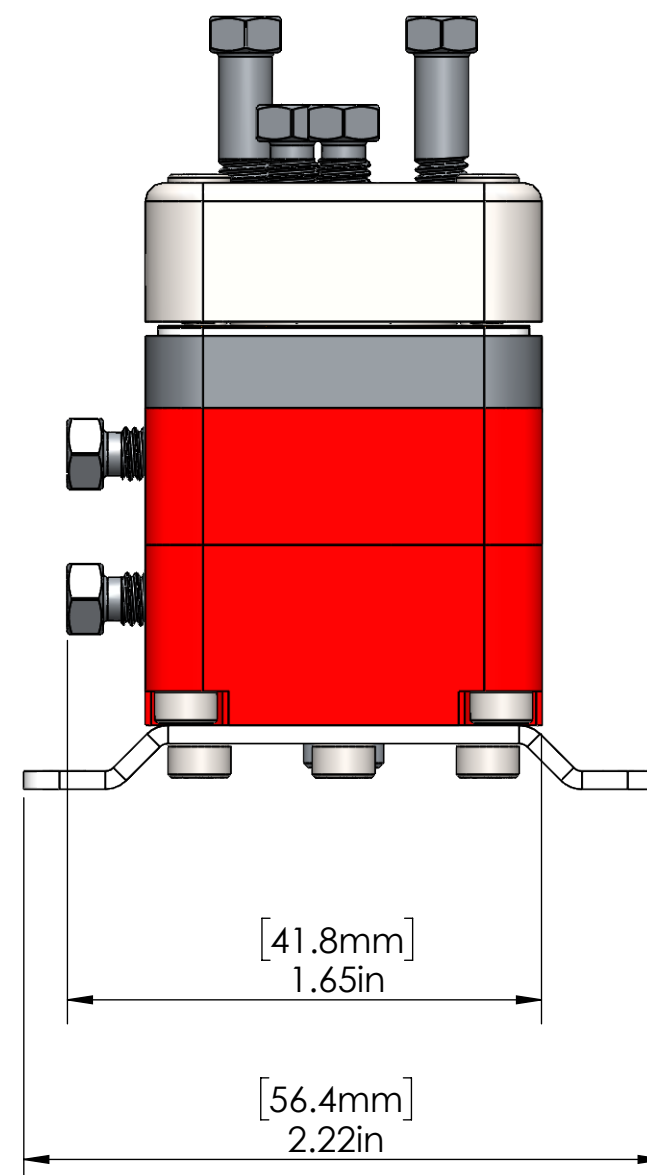
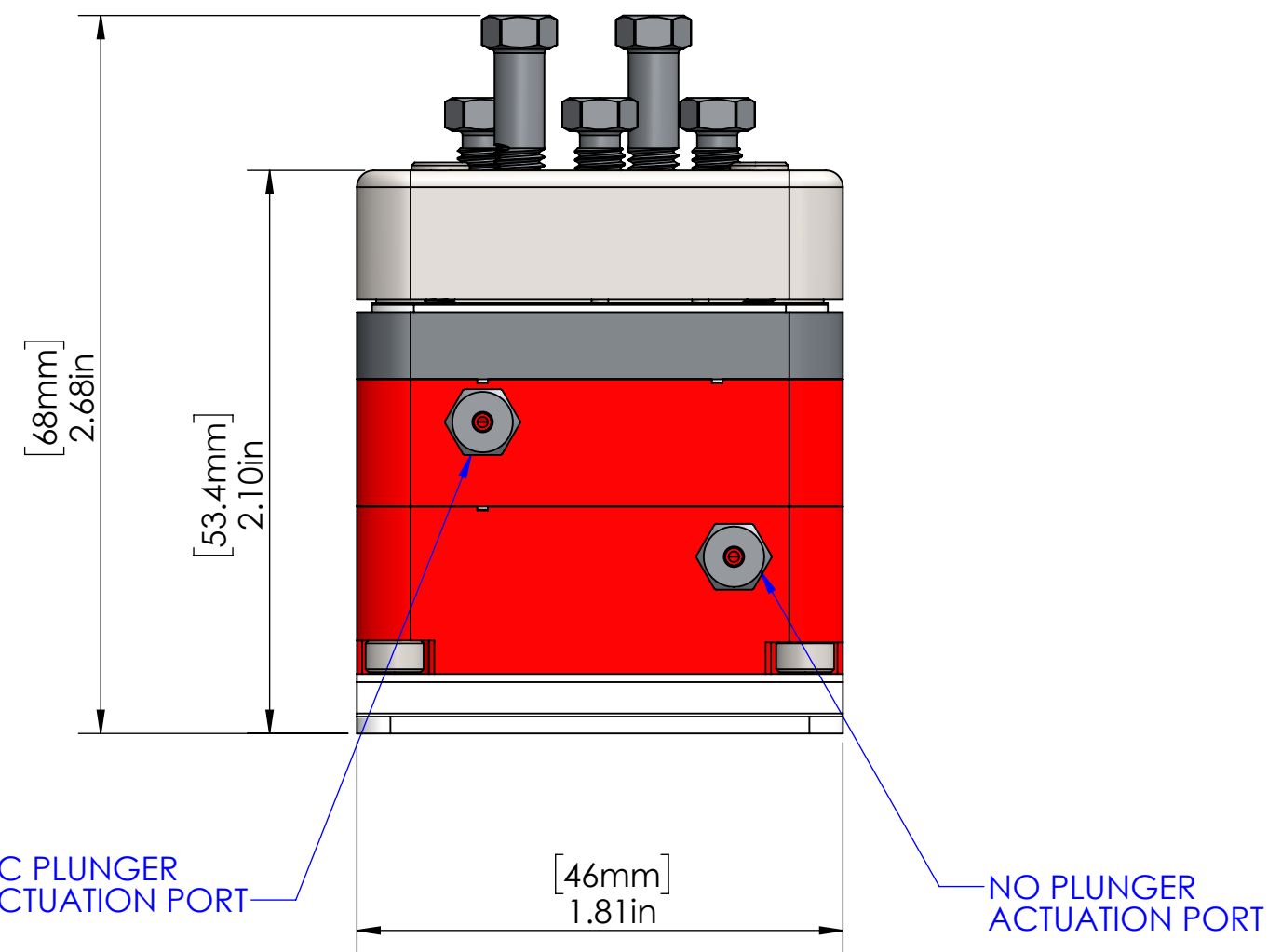
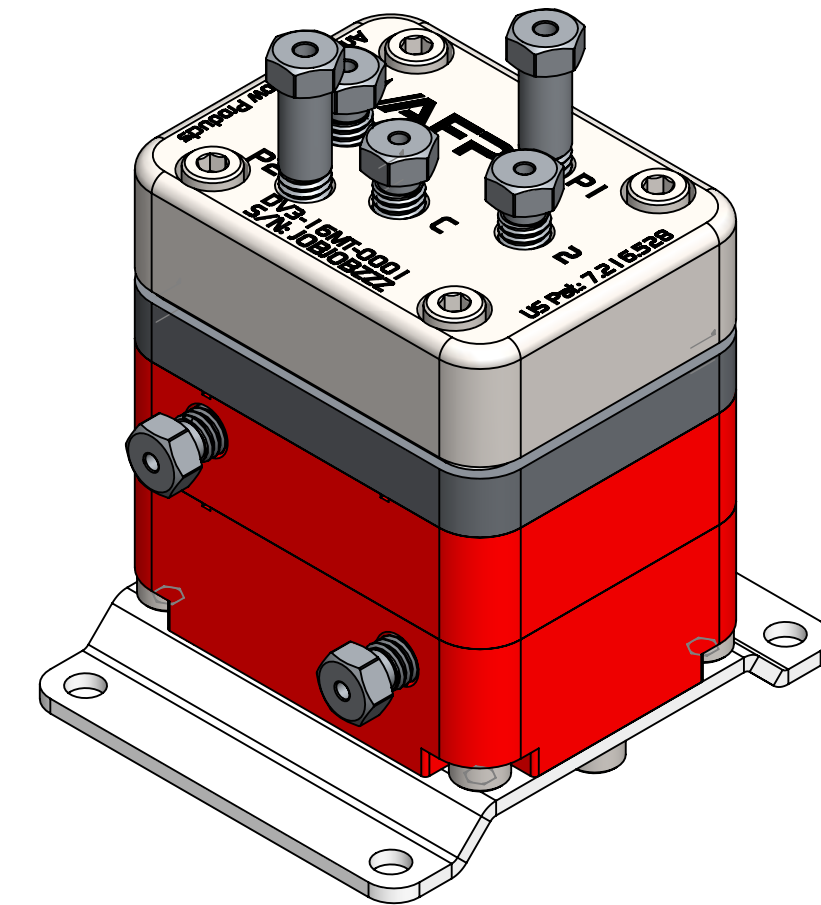
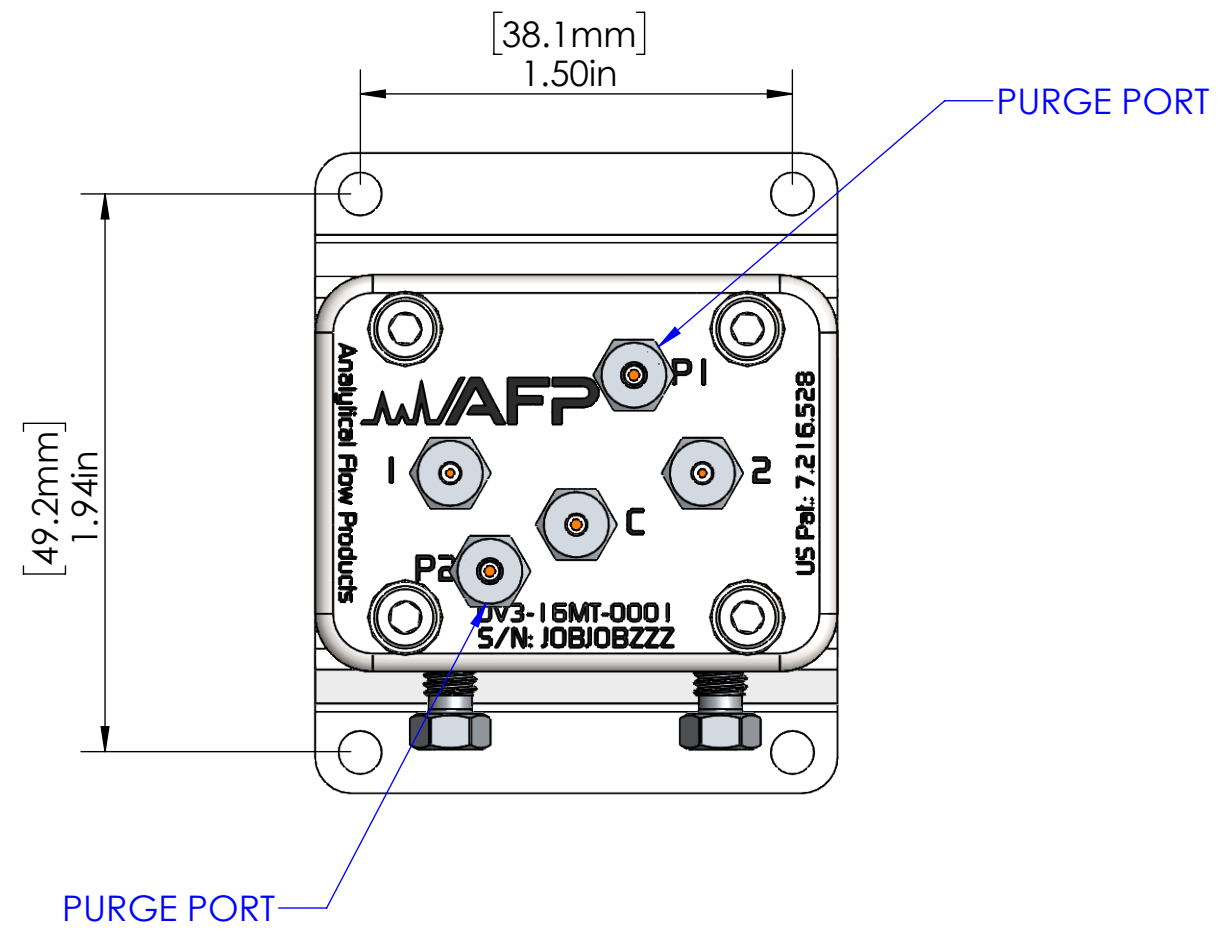



DATE	SYM	REVISION RECORD	ECO	DWN	ENG	MFG
2018-03-19	00	INITIAL RELEASE	0089	AC	AC	SL



**SPECIFICATIONS:**

VALVE P/N	DV3-16MT-0001
VALVE TYPE	HIGH PERFORMANCE GRADE
NUMBER OF PROCESS PORTS	3
PROCESS PORT SIZE	0.030" [0.76 mm]
PROCESS PORT CONNECTION	1/16" [1.6 mm]
NUMBER OF PURGE PORTS	2
PURGE PORT SIZE	0.040" [1.02 mm]
PURGE PORT CONNECTION	1/16" [1.6 mm]
MAX. WORKING PRESSURE	300 PSI [2070 kPa]
MAX. INITIAL LEAK RATE	3.7E-10 Atm-cc/s He
MAX. INITIAL PRESSURE DROP	2 kPa @ 75 sccm N <sub>2</sub> , 1 kPa max. between any sections
PURGE MAX. PRESSURE DROP	7 kPa @ 75 sccm N <sub>2</sub>
ACTUATOR TYPE	PNEUMATIC SINGLE ACTUATION (SPRING RETURN)
ACTUATION PRESSURE	65 PSI [450 kPa]
GAS CONSUMPTION PER ACTUATION	0.02 in <sup>3</sup> [0.32 ml]
MAX. WORKING TEMPERATURE	356°F [180°C]
MATERIAL	ALU BODY SS-316L VALVE HEAD AFPD-3 DIAPHRAGM TYPE

MATERIAL:	FINISH:	 <p>2659, boul. du Parc Technologique, Quebec, Quebec, CANADA G1P 4S5</p> <p>Tel.: 418-338-0004 Fax: 418-338-2500 Email: info@afproducts.ca Web: www.afproducts.ca</p>	
			<p>DESCRIPTION: 3-WAY DIAPHRAGM VALVE (2-ACT. PORTS, NC-NO, METALIZED DIAPHRAGM, COATED NUTS)</p>
<p>PROPRIETARY INFORMATION THIS DRAWING IS THE PROPERTY OF APN-AFP INC. IT IS RETURNABLE UPON REQUEST AND MUST NOT BE REPRODUCED OR THE INFORMATION CONTAINED HEREIN TRANSMITTED TO ANY UNAUTHORIZED PERSON OR ORGANIZATION WITHOUT THE WRITTEN CONSENT OF APN-AFP INC.</p>		<p>UNIT: IN</p> <p>SIZE: C</p> <p>ACCORDANCE WITH LATEST ASME Y14.5</p>	<p>DWG. NO.: DV3-16MT-0001</p> <p>REV.: 00</p>
SCALE: 1.5:1		SHEET 1 OF 3	