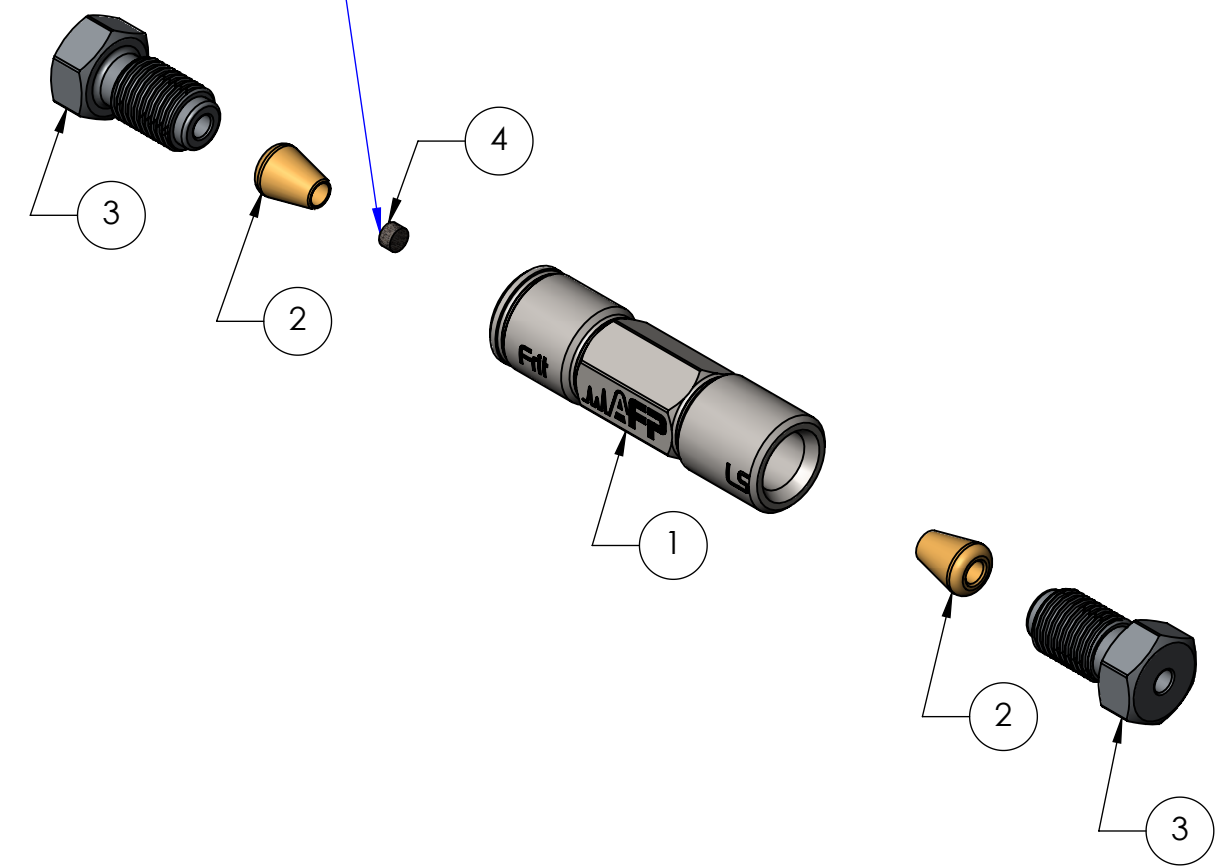
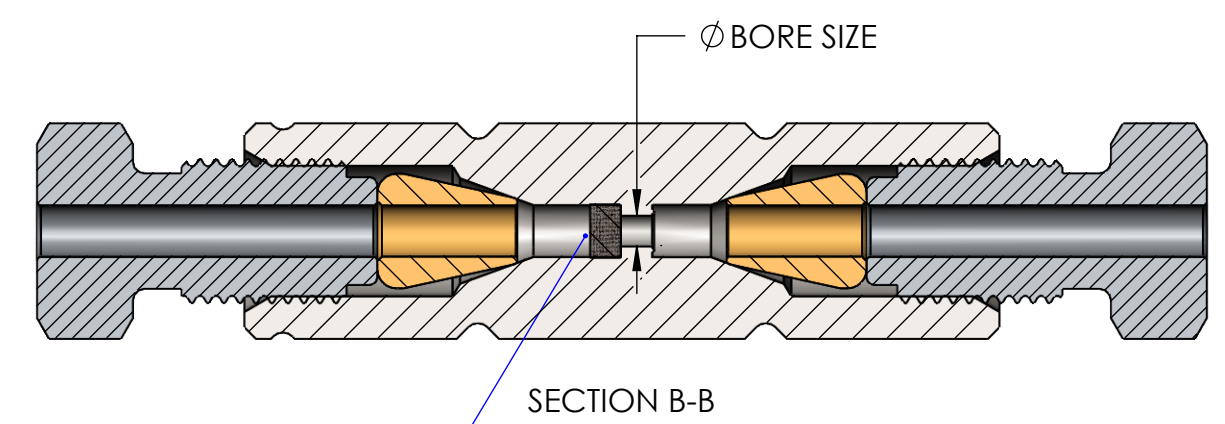
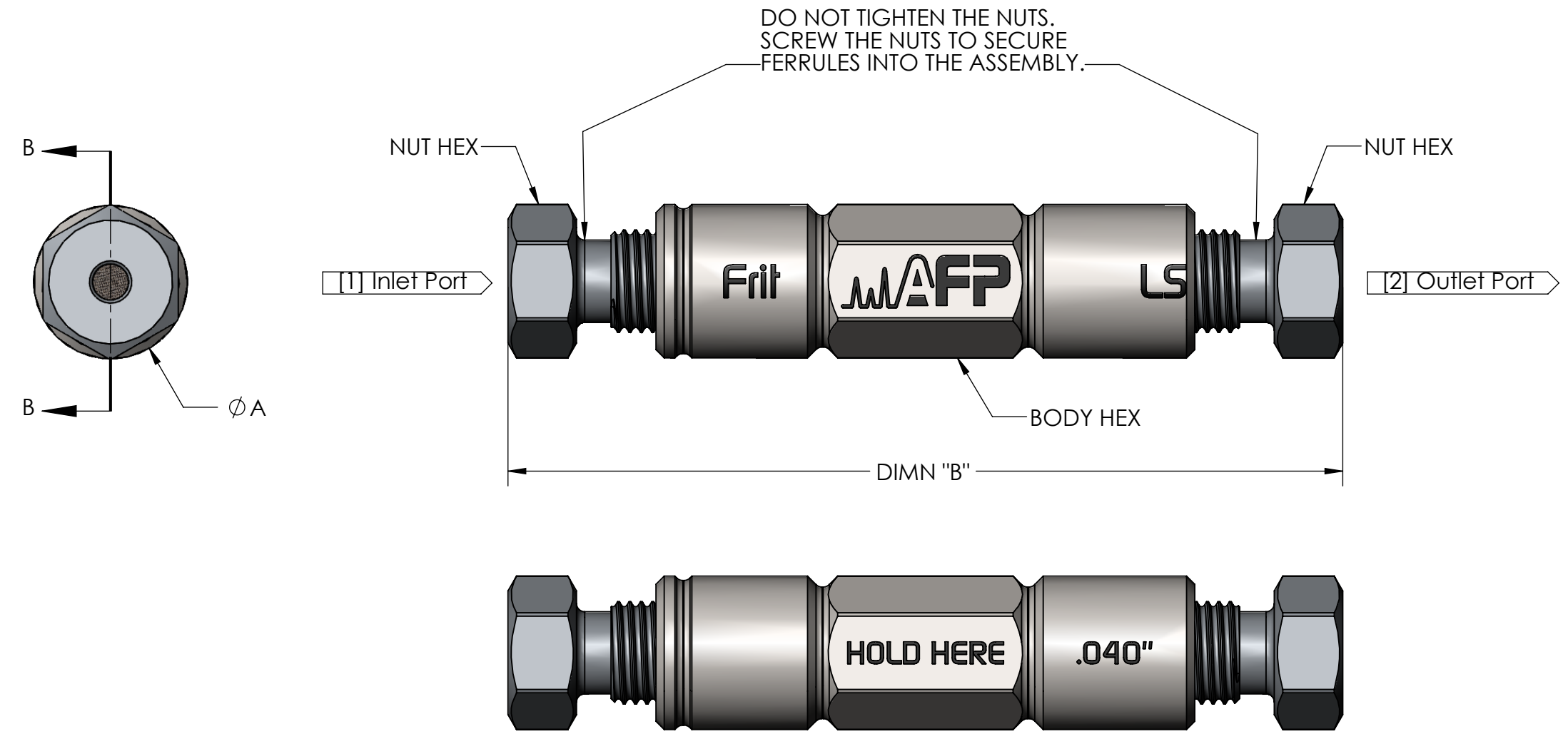


ITEM NO.	PART NUMBER	DESCRIPTION	QTY.
1	SEE CONFIGURATION TABLE	Int. Filtering Union	1
2	SEE CONFIGURATION TABLE	Internal Ferrule Gold	2
3	SEE CONFIGURATION TABLE	Internal Nut	2
4	SEE CONFIGURATION TABLE	Frit	1

DATE	SYM	REVISION RECORD	ECO	DWN	ENG	MFG
07-14-2014	00	INITIAL RELEASE	1561	JPD	AC	PD
11-24-2015	A	CHANGE FROM NORNGREN TO AFP TITLE BLOCK. ADD ITEMS TO CONFIGURATION TABLE.	0039	JPD	AC	PD
2016-09-06	B	ADDED A NOTE ON FRIT INSTALLATION	0072	JPD	AC	PD
2019-10-22	C	TITLE BLOCK UPDATE	0090	JS	EB	SL



CONFIGURATION TABLE							
ASM Number	Description	Item #1 [See Drawing FEH-xxxx-xxx]	Item #2 [See Drawing FFH-xxxx-xxx]	Item #3 [See Drawing FNN-xxxx-xxx]	Item #4 [See Drawing FDH-xxxx-xxx]	BODY HEX	NUT HEX
CE-SK-LS08-085-100	Column End Fitting Asm 1/8 LS x .085" Bore x 10µm Frit K22 Nuts	FEH-F4L4-OB0	FFH-0404-WB1	FNN-S404-WA8	FDH-0400-6B0	7/16	3/8
CE-SK-LS08-085-100-S	Column End Fitting Asm 1/8 LS x .085" Bore x 10µm Frit SilcoNert K22 Nuts	FEH-F4L4-OB3	FFH-0404-WB1	FNN-S404-WA8	FDH-0400-6B3	7/16	3/8
CE-SS-LS16-030-005	Column End Fitting Asm 1/16 LS x .030" Bore x 0.5µm Frit	FEH-W2L2-LB0	FFH-0202-VB1	FNN-L202-VA7	FDH-0200-2B0	1/4	1/4
CE-SS-LS16-030-010	Column End Fitting Asm 1/16 LS x .030" Bore x 1µm Frit	FEH-W2L2-LB0	FFH-0202-VB1	FNN-L202-VA7	FDH-0200-3B0	1/4	1/4
CE-SS-LS16-030-020	Column End Fitting Asm 1/16 LS x .030" Bore x 2µm Frit	FEH-W2L2-LB0	FFH-0202-VB1	FNN-L202-VA7	FDH-0200-4B0	1/4	1/4
CE-SS-LS16-030-100	Column End Fitting Asm 1/16 LS x .030" Bore x 10µm Frit	FEH-W2L2-LB0	FFH-0202-VB1	FNN-L202-VA7	FDH-0200-6B0	1/4	1/4
CE-SS-LS16-030-100-S	Column End Fitting Asm 1/16 LS x .030" Bore x 10µm Frit SilcoNert	FEH-W2L2-LB3	FFH-0202-VB1	FNN-L202-VA7	FDH-0200-6B3	1/4	1/4
CE-SS-LS16-040-005	Column End Fitting Asm 1/16 LS x .040" Bore x 0.5µm Frit	FEH-W2L2-MB0	FFH-0202-VB1	FNN-L202-VA7	FDH-0200-2B0	1/4	1/4
CE-SS-LS16-040-010	Column End Fitting Asm 1/16 LS x .040" Bore x 1µm Frit	FEH-W2L2-MB0	FFH-0202-VB1	FNN-L202-VA7	FDH-0200-3B0	1/4	1/4
CE-SS-LS16-040-020	Column End Fitting Asm 1/16 LS x .040" Bore x 2µm Frit	FEH-W2L2-MB0	FFH-0202-VB1	FNN-L202-VA7	FDH-0200-4B0	1/4	1/4
CE-SS-LS16-040-100	Column End Fitting Asm 1/16 LS x .040" Bore x 10µm Frit	FEH-W2L2-MB0	FFH-0202-VB1	FNN-L202-VA7	FDH-0200-6B0	1/4	1/4
CE-SS-LS16-040-100-S	Column End Fitting Asm 1/16 LS x .040" Bore x 10µm Frit SilcoNert	FEH-W2L2-MB3	FFH-0202-VB1	FNN-L202-VA7	FDH-0200-6B3	1/4	1/4
CE-SS-LS08-085-005	Column End Fitting Asm 1/8 LS x .085" Bore x 0.5µm Frit	FEH-F4L4-OB0	FFH-0404-WB1	FNN-S404-WA7	FDH-0400-2B0	7/16	3/8
CE-SS-LS08-085-010	Column End Fitting Asm 1/8 LS x .085" Bore x 1µm Frit	FEH-F4L4-OB0	FFH-0404-WB1	FNN-S404-WA7	FDH-0400-3B0	7/16	3/8
CE-SS-LS08-085-020	Column End Fitting Asm 1/8 LS x .085" Bore x 2µm Frit	FEH-F4L4-OB0	FFH-0404-WB1	FNN-S404-WA7	FDH-0400-4B0	7/16	3/8
CE-SS-LS08-085-100	Column End Fitting Asm 1/8 LS x .085" Bore x 10µm Frit	FEH-F4L4-OB0	FFH-0404-WB1	FNN-S404-WA7	FDH-0400-6B0	7/16	3/8
CE-SS-LS08-085-100-S	Column End Fitting Asm 1/8 LS x .085" Bore x 10µm Frit SilcoNert	FEH-F4L4-OB3	FFH-0404-WB1	FNN-S404-WA7	FDH-0400-6B3	7/16	3/8
CE-HC-LS16-030-005	Column End Fitting Asm 1/16 LS x .030" Bore x 0.5µm Frit HC	FEH-W2L2-LD0	FFH-0202-VD0	FNN-L202-VA7	FDH-0200-2D0	1/4	1/4
CE-HC-LS16-030-010	Column End Fitting Asm 1/16 LS x .030" Bore x 1µm Frit HC	FEH-W2L2-LD0	FFH-0202-VD0	FNN-L202-VA7	FDH-0200-3D0	1/4	1/4
CE-HC-LS16-030-020	Column End Fitting Asm 1/16 LS x .030" Bore x 2µm Frit HC	FEH-W2L2-LD0	FFH-0202-VD0	FNN-L202-VA7	FDH-0200-4D0	1/4	1/4
CE-HC-LS16-030-100	Column End Fitting Asm 1/16 LS x .030" Bore x 10µm Frit HC	FEH-W2L2-LD0	FFH-0202-VD0	FNN-L202-VA7	FDH-0200-6D0	1/4	1/4
CE-MO-LS16-040-005	Column End Fitting Asm 1/16 LS x .040" Bore x 0.5µm Frit MO	FEH-W2L2-MH0	FFH-0202-VH0	FNN-L202-VA7	FDH-0200-2H0	1/4	1/4
CE-MO-LS16-040-010	Column End Fitting Asm 1/16 LS x .040" Bore x 1µm Frit MO	FEH-W2L2-MH0	FFH-0202-VH0	FNN-L202-VA7	FDH-0200-3H0	1/4	1/4
CE-MO-LS16-040-020	Column End Fitting Asm 1/16 LS x .040" Bore x 2µm Frit MO	FEH-W2L2-MH0	FFH-0202-VH0	FNN-L202-VA7	FDH-0200-4H0	1/4	1/4
CE-MO-LS16-040-100	Column End Fitting Asm 1/16 LS x .040" Bore x 10µm Frit MO	FEH-W2L2-MH0	FFH-0202-VH0	FNN-L202-VA7	FDH-0200-6H0	1/4	1/4
CE-HC-LS08-085-005	Column End Fitting Asm 1/8 LS x .085" Bore x 0.5µm Frit HC	FEH-F4L4-OD0	FFH-0404-WD0	FNN-S404-WA7	FDH-0400-2D0	7/16	3/8
CE-HC-LS08-085-010	Column End Fitting Asm 1/8 LS x .085" Bore x 1µm Frit HC	FEH-F4L4-OD0	FFH-0404-WD0	FNN-S404-WA7	FDH-0400-3D0	7/16	3/8
CE-HC-LS08-085-020	Column End Fitting Asm 1/8 LS x .085" Bore x 2µm Frit HC	FEH-F4L4-OD0	FFH-0404-WD0	FNN-S404-WA7	FDH-0400-4D0	7/16	3/8
CE-HC-LS08-085-100	Column End Fitting Asm 1/8 LS x .085" Bore x 10µm Frit HC	FEH-F4L4-OD0	FFH-0404-WD0	FNN-S404-WA7	FDH-0400-6D0	7/16	3/8
CE-MO-LS08-085-005	Column End Fitting Asm 1/8 LS x .085" Bore x 0.5µm Frit MO	FEH-F4L4-OH0	FFH-0404-WH0	FNN-S404-WA7	FDH-0400-2H0	7/16	3/8
CE-MO-LS08-085-010	Column End Fitting Asm 1/8 LS x .085" Bore x 1µm Frit MO	FEH-F4L4-OH0	FFH-0404-WH0	FNN-S404-WA7	FDH-0400-3H0	7/16	3/8
CE-MO-LS08-085-020	Column End Fitting Asm 1/8 LS x .085" Bore x 2µm Frit MO	FEH-F4L4-OH0	FFH-0404-WH0	FNN-S404-WA7	FDH-0400-4H0	7/16	3/8
CE-MO-LS08-085-100	Column End Fitting Asm 1/8 LS x .085" Bore x 10µm Frit MO	FEH-F4L4-OH0	FFH-0404-WH0	FNN-S404-WA7	FDH-0400-6H0	7/16	3/8

UNLESS OTHERWISE SPECIFIED:  
 - ALL DIMENSIONS ARE IN INCHES  
 - SURFACE FINISH IS IN Ra MICROINCHES (µIN)  
 - UNSPECIFIED SURFACES MUST BE 64 Ra µIN OR BETTER  
 - REMOVE ALL BURRS & SHARP EDGES .003-.010  
 - TOLERANCES ARE:  
 .XX ±.010 FRACTIONAL ±1/64"  
 .XXX ±.003 ANGULAR ±5°  
 .XXXX ±.001  
 - UNSPECIFIED INSIDE CORNER RADIUS 0.010 MAX.  
 - REFER TO 3D MODEL FOR DIMENSIONS NOT SHOWN.  
 - TOLERANCE .XX APPLIES  
 - DO NOT SCALE DRAWING

MATERIAL:  
  
 FINISH:  
 MS-1022  
 ACCORDANCE WITH LATEST ASME Y14.5

2659, boul. du Parc Technologique,  
 Quebec, CANADA  
 G1P 4S5  
 Tel: 418-338-0004  
 Fax: 418-338-2500  
 Email: info@afproducts.ca  
 Web: www.afproducts.ca

DESCRIPTION: COLUMN END FITTINGS ASSEMBLY

UNIT	SIZE	DWG. NO.	REV.
IN	C	CE-xx-LSxx-xxx-xxx-x	C
SCALE	4:	SHEET 1 OF 1	

PROPRIETARY INFORMATION  
 THIS DRAWING IS THE PROPERTY OF APN-AFP INC.  
 IT IS RETURNABLE UPON REQUEST AND MUST NOT BE REPRODUCED  
 OR THE INFORMATION CONTAINED HEREIN TRANSMITTED TO ANY  
 UNAUTHORIZED PERSON OR ORGANIZATION WITHOUT THE  
 WRITTEN CONSENT OF APN-AFP INC.