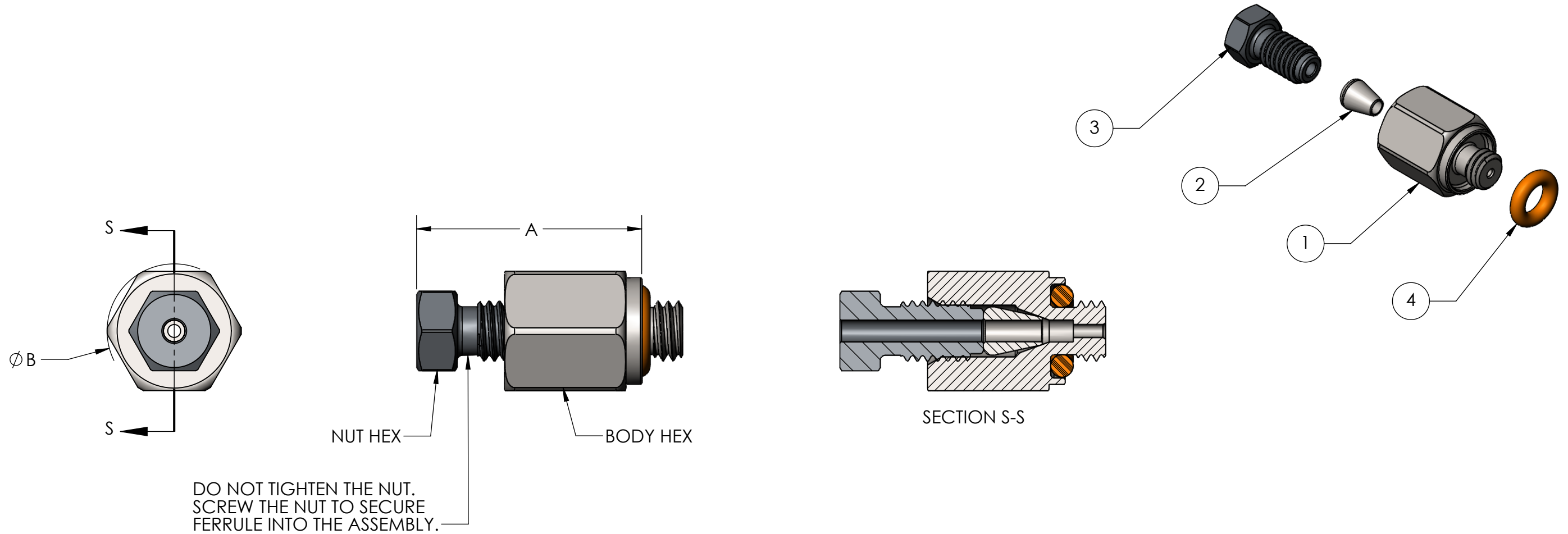



CONFIGURATION TABLE										DATE	SYM	REVISION RECORD	ECO	DWN	ENG	MFG
										09-24-2014	00	INITIAL RELEASE	1561	JPD	AC	PD
										03-29-2016	A	CHANGED TITLE BLOCK FROM NORGREN TO AFP	0056	DB	AC	PD
										2018-04-15	B	TITLE BLOCK UPDATE	0090	AC	AC	SL
A-16-10_32	Face Seal Adapter 10-32 MT x 1/16 Std.	FAD-RAS2-MB0	FFH-0202-VB0	FNN-S202-VA8	AF00-9819-0000	3/8	1/4	1.49	0.42							
A-16-10_32-HT	High Temperature Face Seal Adapter 10-32 MT x 1/16 Std.	FAD-RAS2-MB0	FFH-0202-VB0	FNN-S202-VA8	AF00-9831-0000	3/8	1/4	1.49	0.42							
A-16-10_32-SK	Face Seal Adapter 10-32 MT x 1/16 Std. with K22 Nuts	FAD-RAS2-MB0	FFH-0202-VB0	FNN-S202-VA8	AF00-9819-0000	3/8	1/4	1.49	0.42							
A-08-10_32	Face Seal Adapter 10-32 MT x 1/8 Std.	FAD-RAS4-OB0	FFH-0404-WB0	FNN-S404-WA0	AF00-9819-0000	7/16	3/8	1.93	0.49							



ITEM NO.	PART NUMBER	DESCRIPTION	QTY.
1	SEE CONFIGURATION TABLE	Face Seal Adapter 10-32 Male	1
2	SEE CONFIGURATION TABLE	Internal Ferrule	1
3	SEE CONFIGURATION TABLE	Internal Nut - Short -	1
4	SEE CONFIGURATION TABLE	O-RING #2-007	1

UNLESS OTHERWISE SPECIFIED: - ALL DIMENSIONS ARE IN INCHES - SURFACE FINISH IS IN Ra MICROINCHES (µIN) - UNSPECIFIED SURFACES MUST BE 64 Ra µIN OR BETTER - REMOVE ALL BURRS & SHARP EDGES .003-.010 - TOLERANCES ARE: .XX ±.010 FRACTIONAL ±1/64" .XXX ±.003 ANGULAR ±.5° .XXXX ±.001 - UNSPECIFIED INSIDE CORNER RADIUS 0.010 MAX. - REFER TO 3D MODEL FOR DIMENSIONS NOT SHOWN. - TOLERANCE .XX APPLIES - DO NOT SCALE DRAWING	MATERIAL: As per P/N Table	 2659, boul. du Parc Technologique Québec, CANADA G1P 4S5 Tel: 418-338-0004 Fax: 418-338-2500 Email: info@afproducts.ca Web: www.afproducts.ca	
	FINISH: MS-1022		DESCRIPTION: Face Seal Adapter 10-32 Male
PROPRIETARY INFORMATION THIS DRAWING IS THE PROPERTY OF APN-AFP INC. IT IS RETURNABLE UPON REQUEST AND MUST NOT BE REPRODUCED OR THE INFORMATION CONTAINED HEREIN TRANSMITTED TO ANY UNAUTHORIZED PERSON OR ORGANIZATION WITHOUT THE WRITTEN CONSENT OF APN-AFP INC.	ACCORDANCE WITH LATEST ASME Y14.5	UNIT: IN SIZE: B DWG. NO.: A-xx-10_32 REV.: B	
SCALE 3:1		SHEET 1 OF 1	